

# SPICER®



X510-6

September 2016

Supersedes X510-6

Dated June 2011

## Light Axle Parts for Jeep® Applications 1999-2016



Our most comprehensive listing of Spicer axle products for Jeeps, including, but not limited to, full axles, ring and pinion kits, axle shafts, overhaul kits, and more.



Product pictured is intended to be a representation of product category.



## SAFETY INFORMATION



**WARNING** - Failure to follow these instructions could affect vehicle performance and/or safety and result in personal injury or death.

- Do not convert or alter Spicer axles except in accordance with vehicle manufacturer's instructions.

Spicer axles are designed to meet OEM vehicle manufacturer's design and performance specifications. Improper conversion or alteration of these axles can damage the axles and/or other vehicle systems. Contact the OEM manufacturer for specific directions and guidelines.

- Do not change axle gear ratios on vehicles with anti-lock braking systems except in accordance with the vehicle manufacturer's instructions.

Vehicles with anti-lock braking systems may utilize sensors and tone rings within the axle housings to ensure the functioning of the anti-lock brakes. Improperly changing the axle ratios may defeat the anti-lock braking system. If changing axle ratios will require changing the location of the tone ring on the ring gear flange relative to the location of the sensor in the axle housing, contact the OEM manufacturer for specific directions and guidelines.

- Do not reuse or substitute ring gear bolts.

If you reuse a ring gear bolt or substitute an inferior quality bolt, the bolt may loosen or back out of its threaded hole, causing severe damage to the axle gears and other components and possibly resulting in a sudden "locking up" of the axle and loss of control of the vehicle. Always use new bolts specifically recommended for the application and install bolts using proper tools and torquing to the proper specifications.



**CAUTION** - Do not substitute parts not of Spicer quality.

Spicer axles are designed for each model vehicle, and manufactured and tested for safety and best performance. Replacement parts from other manufacturers may not be made to Spicer's rigid quality standards. To be sure you're getting Spicer quality, always use genuine Spicer parts.



This symbol warns of possible personal injury.

# NOTES

# CONTENTS

<b>How to Use This Catalog</b> .....	2
<b>General Information</b> .....	4
<b>Axle Kits</b> .....	6
<b>Model 30/181 Front Axles w/Collapsible Spacer</b>	
<b>TJ (Wrangler) &amp; XJ (Cherokee)</b>	
Exploded View .....	8
Parts Listing .....	9
Bill of Material Table .....	10
Variable Parts Table .....	12
<b>Model 30/181 Front Axles</b>	
<b>XJ &amp; X1 (Cherokee)</b>	
Exploded View .....	14
Parts Listing .....	15
Bill of Material Table .....	16
Variable Parts Table .....	18
<b>Model Super 30 /186 Front Axles</b>	
<b>JK (Wrangler) &amp; WJ (Grand Cherokee)</b>	
Exploded View .....	20
Parts Listing .....	21
Bill of Material Table .....	22
Variable Parts Table .....	27
<b>Model Super 30 /186 Front Axles</b>	
<b>KA &amp; KJ (Liberty)</b>	
Exploded View .....	56
Parts Listing .....	57
Bill of Material Table .....	58
Variable Parts Table .....	60
<b>Model 44 /216 Front Axles w/Collapsible Spacer</b>	
<b>JK (Wrangler)</b>	
Exploded View .....	66
Parts Listing .....	67
Bill of Material Table .....	68
Variable Parts Table .....	70
<b>Model 44 /216 Front Axles</b>	
<b>JK &amp; TJ (Wrangler)</b>	
Exploded View .....	74
Parts Listing .....	75
Bill of Material Table .....	76
<b>Model 35 /194 Rear Axles</b>	
<b>TJ (Wrangler) &amp; XJ (Cherokee)</b>	
Exploded View .....	78
Parts Listing .....	79
Bill of Material Table .....	80
Variable Parts Table .....	83
<b>Model Super 35 /198 Rear Axles</b>	
<b>WJ (Grand Cherokee) &amp; KJ (Liberty)</b>	
Exploded View .....	86
Parts Listing .....	87
Bill of Material Table .....	88
Variable Parts Table .....	90
<b>Model 44 /216 Rear Axles</b>	
<b>TJ (Wrangler)</b>	
Exploded View .....	92
Parts Listing .....	93
Bill of Material Table .....	94
Variable Parts Table .....	97
<b>Model Super 44 /226 Rear Axles</b>	
<b>WJ &amp; WK (Grand Cherokee) &amp; XK (Commander)</b>	
Exploded View .....	104
Parts Listing .....	105
Bill of Material Table .....	106
Variable Parts Table .....	108
<b>Model Super 44 /226 Rear Axles</b>	
<b>JK (Wrangler)</b>	
Exploded View .....	112
Parts Listing .....	113
Bill of Material Table .....	114
Variable Parts Table .....	116
<b>Bearing Adjustment Shim Table</b> .....	118

## How to Use This Catalog

This catalog contains applications and part listings for front and rear axles which fit Jeep vehicles from model years **1999** and newer. For information on model years between **1967-1978**, please refer to catalog X510-8DSD; Jeep model years **1979-1999** refer to X510-9. For miscellaneous models from years **1979-1984**, please refer to X510-7DSD.

The data in this publication is arranged by make, then in numerical order by model for front axles and then for rear axles. Each model contains the following three sections as appropriate:

- **Parts Listing and Exploded View**

This section contains an exploded view of the axle and lists all the part numbers for those parts illustrated. The parts that do not have a common part number have a footnote reference indicating where to find the correct part number for each Bill of Material.

X510-6

### Jeep Super 30 /186 Front (JK & WJ) Parts Listing



ITEM NO.	PART NUMBER	DESCRIPTION	QTY	PART NUMBER	DESCRIPTION
1	-(3)	Housing - Axle	24	41221	Bolt - Drive (qty 10)
2	-(1)	Drive Pinion & Gear Assembly	25	-(2)	Pinion - Differential (std)
3	-(2)	Slinger - Variable Thicknesses	26	-(2)	Gear - Differential (std)
	-(2)	Bearing Installation Kit	27	-(2)	Thrustwasher - Diff Pinion (std)
	-(2)	Master Overhaul Kit	28	-(2)	Thrustwasher - Diff Gear (std)
4	-(2)	KIT - Inner Pinion Bearing	29	41648	Shaft - Differential (std)

- **Bill of Material Table**

This section contains vehicle applications listed in order by year. Included in the table are the major kits and assemblies for each Bill of Material number.

X510-6

### Jeep Super 30 /186 Front (JK & WJ) Bill of Material Table



Bill of Material	Axle Diff. Type	Ratio	Axle Kits				Shaft & Joint Assy.	
			Rings & Pinion Kit (7)	Case Ass'y Kit (8)	Differential Case Kit	Inner Parts Kit	Right Hand Shaft Assy.	Left Hand Shaft Assy.
<b>2007 JK</b>								
2005185-1	Standard	2.21	2005015-5	2005961	-(9)	2005962	2004508-2	2004508-1
2005185-2	Standard	4.10	2005027-5	2005974	2010999	2005962	2004508-2	2004508-1
2005186-1	Standard	3.21	2005015-5	2005961	-(9)	2005962	2004508-2	2004508-1
2005186-2	Standard	4.10	2005027-5	2005974	2010999	2005962	2004508-2	2004508-1
2006770-1	Standard	3.21	2005015-5	2005961	-(9)	2005962	2006481-2	2006481-1
2006770-2	Standard	4.10	2005027-5	2005974	2010999	2005962	2006481-2	2006481-1
2006773-1	Standard	3.21	2005015-5	2005961	-(9)	2005962	2006481-2	2006481-1

- **Variable Parts Table**

This section contains the individual part numbers that vary by Bill of Material number for a given model.

X510-6

## Jeep Super 30 /186 Front (JK & WJ) Variable Parts Listing

**SPICER**  


Kit Parts Use With All Applications						
Description & Item Number (Refer to "Exploded View" at the end of this section)	Bills of Material					
	1001549	10021546	10021548	10021549	10021549	10029496
1 Slinger - Variable Thicknesses	4	41214 (5)	41214 (5)	41214 (5)	41214 (5)	41214 (5)
2 Bearing Installation Kit	-	2017366	2017366	2017366	2017366	2017366
3 Master Overhaul Kit	-	2017378	2017378	2017378	2017378	2017378
4 KIT - Inner Pinion Bearing	4	707064X	707064X	707064X	707064X	707064X
5 Baffle - Pinion Oil	5	48741-3	48741-3	48741-3	48741-3	48741-3
6 Collapsible Spacer	6	10009299	10009299	10009299	10009299	10009299
7 KIT - Outer Pinion Bearing	7	706015X	706015X	706015X	706015X	706015X
8 Slinger	8	2005565	2005565	2005565	2005565	2005565
9 Seal - Pinion Oil	9	2004670	2004670	2004670	2004670	2004670
10 Oil Seal	10	-	-	-	-	-

**Note:** Additional information on Spicer axles can be found in our General Information catalog number XGI. It contains the following sections:

- Bill of Material Numerical Listing
- Ring and Pinion Kits
- Differential Case Assembly Kits
- Axle Shaft Dimension and Components

# General Information

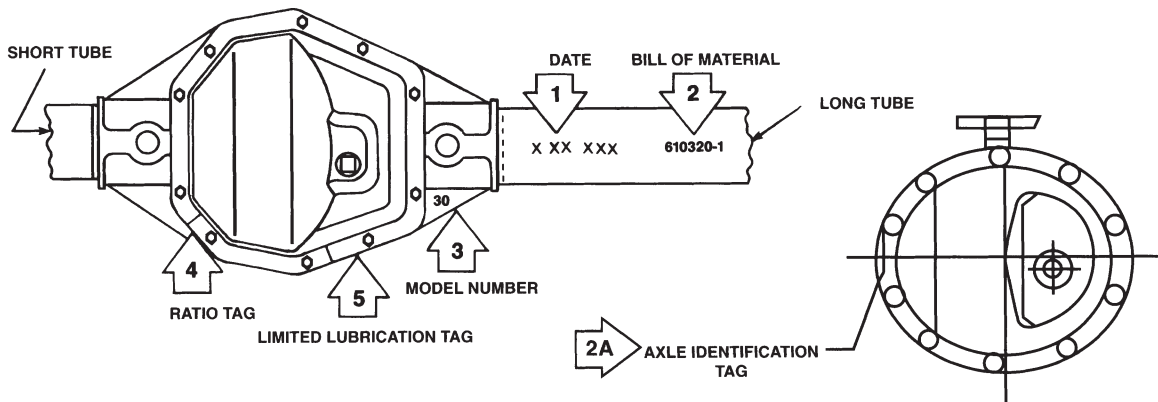
## How To Identify A Spicer Axle

All Spicer Carrier Type axles are identified with a manufacturing date (1) and Bill of Material number (2) stamped on the right or left hand tube on driving axles. The Bill of Material number may also be found on the carrier in some models as shown in illustration (2A). For independent front suspension (IFS) axles, the B/M number may be located at one of three locations: 1). A vertically positioned tag near the center of the right hand side support arm, 2) stamped into the left hand side support arm (opposite end of the camber adjuster), or 3) stamped into the "nose end" of the axle carrier. The location of the information will depend on the manufacturing date of the axle.

The axle model number will be cast into one of the webs as shown (3), or it can be on the nose.

Each axle contains a gear ratio tag (4), and if the axle is equipped with a limited slip differential, it will have a tag specifying the type of limited slip lubricant to be used (5).

Refer to the appropriate model number section for parts identification and a breakdown of the Bill of Material.



## How To Change Gear Ratios

To increase or decrease a gear ratio, there are certain steps that must be taken. The differential case depends upon the ratio desired. For each axle model, there is a high-ratio and a low-ratio case as illustrated below:

Axle Model	Low Ratio Case	High Ratio Case	Axle Model	Low Ratio Case
<b>High Ratio Case</b>				
Model 27	3.73 and Down	3.92 and Up	Model 50	4.10 and Down
Model 28	3.45 and Down	3.73 and Up	Model 60	4.10 and Down
Model 28 IFS Aerostar	2.27, 3.73	—	Model 61	4.56 and Up
Model 30	3.55 and Down	3.73 and Up	Semi Float	3.00 and 3.07 only
Model 35	2.35 only	—	Model 61	
Model 35	2.73 - 3.31	3.54 and Up	Full Float	3.31 and Down
Model 36 ICA	2.73 and Down	3.07 and Up	Model 70	3.54 and Up
Model 44	3.73 and Down	3.92 and Up	Model 70	4.10 and Down
Model 44 ICA			Model 70-3HD	3.42 and Down
1984 & earlier	3.73 and Down	3.92 and Up	Model 70-2UA	3.07 only
Model 44 ICA			Model 80	3.73 and Down
1985 & later	2.87 and Down	3.07 and Up		4.10 and Up

**Example** - If you have a model 44 Rear Axle with a 3.54 ratio and wish to change to a 3.73 ratio, you change only the ring gear and pinion assembly. If you change the ratio to a 4.09, you must change to a high-ratio case in addition to changing the ring gear and pinion. The application section will show you what case to use. When the vehicle is equipped with both front and rear driving axles, the gear ratios must be the same in both axles. **The drive gear screws are self-locking and must be replaced with new screws each time that they are removed.**



### **How Limited Slip Differentials Operate**

A conventional differential transmits all the ring gear torque through the differential gears to the axle shafts. Torque is at all times equal on the axle shafts, and if one wheel slips, the other wheel can only put out as much torque as the slipping wheel.

The Spicer Limited Slip differential has the same power flow as a conventional differential, plus a more direct flow which automatically takes effect as driving conditions demand. This more direct power flow is from the differential case to each axle shaft through a clutch plate and disc arrangement.

Arrangement of these plates and discs is at the option of the vehicle manufacturer, so care should be taken during disassembly to note the arrangement of these components.

The Limited Slip construction permits differential action when required for turning corners and transmits equal torque to both wheels when driving straight ahead. However, when one wheel tries to spin due to leaving the ground, a patch of ice, etc., the clutch packs automatically provide more torque to the wheel which is not trying to spin.

The Limited Slip differential resists wheel spin on bumpy roads and provides more pulling power when one wheel tries to slip. In many cases of differences in traction, pulling power will be automatically provided until both wheels start to slip.

In diagnosis of vehicle operators' complaints, it is important to recognize two things.

1. If, with unequal traction, both wheels slip, the Limited Slip Differential has done all it can possibly do.
2. In extreme cases of differences in traction, the wheel with the least traction may spin after the Limited Slip has transferred as much torque as possible to the non-slipping wheel.

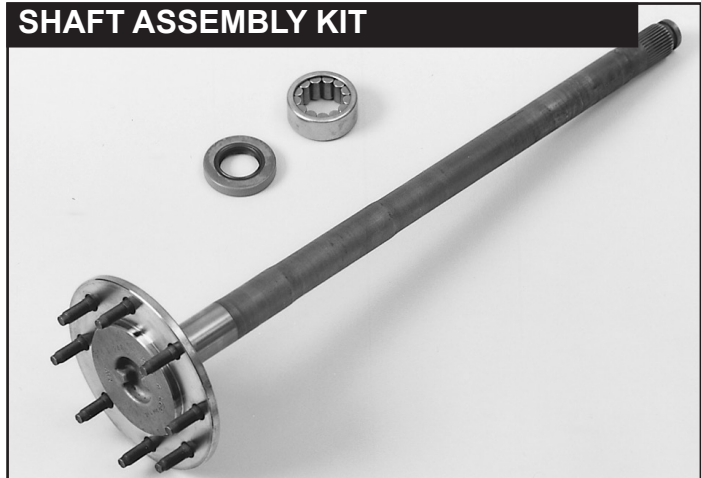
### **How To Obtain Special Service Tools**

Special service tools (see service manuals) can be obtained from the following company:

Kent-Moore  
OE Tool and Equipment Group  
SPX Corporation  
28635 Mound Road  
Warren MI 48092-3499  
(800) 345-2233

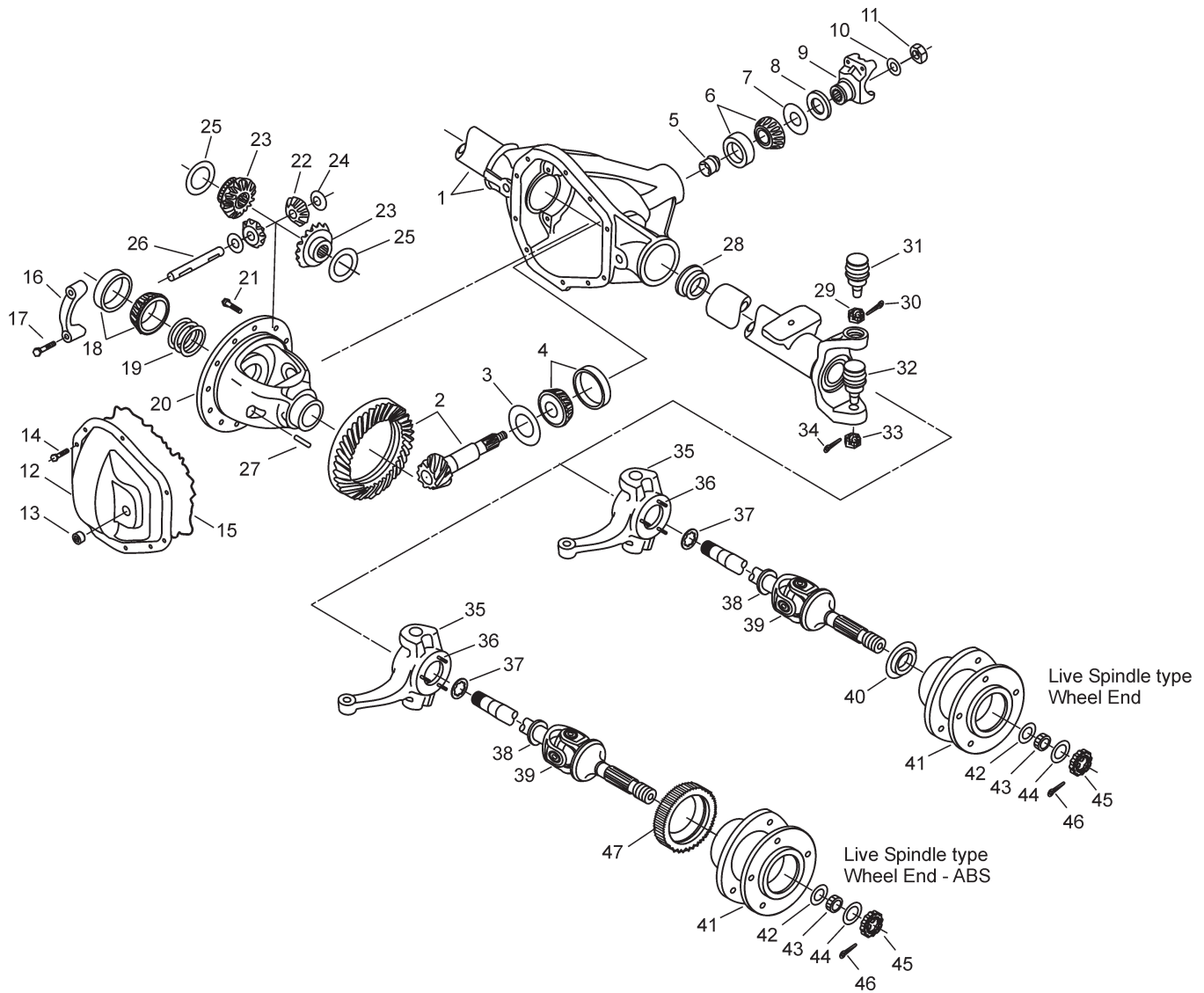
# SPICER® LIGHT AXLE KITS

Note: Kit component pictures are for informational purposes only. Not all kits and assemblies contain the exact parts represented in these pictures.



**Model 30/181  
Front Axles  
with Collapsible Spacer for  
TJ (Wrangler)  
XJ (Cherokee)**

# Jeep 30/181 Front with Collapsible Spacer Exploded View



# Jeep 30/181 Front with Collapsible Spacer Parts Listing

ITEM NO.	PART NUMBER	DESCRIPTION	ITEM NO.	PART NUMBER	DESCRIPTION
1	-(3)	Housing - Axle Service	24	34096	Thrustwasher - Diff. Pinion
2	-(1)	Drive Pinion & Gear Assembly	25	40027	Thrustwasher - Differential Gear
3	49634- (5)	Slinger - Variable Thicknesses	26	41648	Shaft - Differential (std)
	-(2)	Bearing Installation Kit	27	13449	Lock - Differential Shaft
	-(2)	Master Overhaul Kit	28	46470	Oil Seal
4	706015X	KIT - Inner Pinion Bearing		706944X	KIT - Socket Assembly (inc 29,30,31,32,33,34)
5	46194	Collapsible Spacer	29	40584	Slotted Nut
6	706894X	KIT - Outer Pinion Bearing	30	500024-6	Cotter Pin
7	13575	Slinger - Outer Pinion Bearing	31	40583	Socket Assembly (lower)
8	-(2)	Seal - Pinion Oil	32	40916	Socket Assembly (upper)
9	2-4-6561-1	End Yoke	33	43682	Nut - Hex Slotted (lower)
10	30186	Pinion Nut Washer	34	500024-6	Cotter Pin
11	30185	Pinion Nut	35	-(3)	Right/Left Knuckle
	707274X	KIT - Carrier Cover (inc items 12,13,14)	36	41027	Knuckle Bolt
12	40869-1	Carrier Cover	37	-(2)	Guide - Axle Shaft
13	43180	Plug - Carrier Cover	38	46849	Dust Slinger
14	34279	Bolt - Carrier Cover (qty 10)	39	-(1)	Shaft & Joint Assembly
15	38615	RTV Silicone Sealant	40	46988	Slinger - Hub Oil (non-ABS only)
16	-(3)	Differential Bearing Cap	41	-(3)	Hub Assembly
17	48631-1	Bolt - Differential Bearing Cap	42	40596	Washer - Flat
18	706016X	KIT - Differential Bearing	43	40597	Nut - Hex
19	701004X	PKG - Differential Bearing Shim	44	45749	Washer - Spring Wave
20	-(1)	Case - Differential (std)	45	40598	Lock Nut
21	41221	Bolt - Drive Gear (qty 10)	46	500025-10	Cotter Pin
22	-(2)	Pinion - Differential (std)	47	44646	Tone Ring (ABS only)
23	-(2)	Gear - Differential (std)			

- (1) See "Bill of Material Table" on next page  
(2) See "Variable Parts Table" within this section  
(3) Contact Vehicle Manufacturer  
(4) Not Sold Separately  
(5) See shim table in the back of this catalog



# Jeep 30/181 Front with Collapsible Spacer Bill of Material Table

Axle			Axle Kits				Shaft & Joint Assy.	
Bill of Material	Diff. Type	Ratio	Ring Gear & Pinion Kit <sup>(7)</sup>	Differential			Right Hand Shaft Assy.	Left Hand Shaft Assy.
				Case Assy. Kit <sup>(8)</sup>	Case Kit	Inner Parts Kit		
<b>1999 TJ</b>								
610881-1	Standard	3.07	707344-2X	2002913	706007X	2002914	75814-2X	75814-1X
610881-3	Standard	4.10	707344-6X	707159X	706008X	2002914	75814-2X	75814-1X
610881-4	Standard	3.73	707344-11X	707159X	706008X	2002914	75814-2X	75814-1X
<b>1999 TJ w/ABS</b>								
610882-1	Standard	3.07	707344-2X	2002913	706007X	2002914	75815-2X	75815-1X
610882-3	Standard	3.73	707344-11X	707159X	706008X	2002914	75815-2X	75815-1X
<b>1999 TJ RHD</b>								
610883-1	Standard	3.07	707344-2X	2002913	706007X	2002914	75814-2X	75814-1X
610883-3	Standard	3.73	707344-11X	707159X	706008X	2002914	75814-2X	75814-1X
<b>2000 XJ</b>								
610856-1	Standard	3.07	707344-2X	2002913	706007X	2002914	75814-2X	75814-1X
610856-2	Standard	3.55	707344-8X	2002913	706007X	2002914	75814-2X	75814-1X
610967	Standard	3.07	707344-2X	2002913	706007X	2002914	75814-2X	75814-1X
610980	Standard	3.55	707344-8X	2002913	706007X	2002914	75814-2X	75814-1X
<b>2000 XJ w/ABS</b>								
610857-1	Standard	3.07	707344-2X	2002913	706007X	2002914	75815-2X	75815-1X
610857-2	Standard	3.55	707344-8X	2002913	706007X	2002914	75815-2X	75815-1X
610945-2	Standard	3.55	707344-8X	2002913	706007X	2002914	75815-2X	75815-1X
610968	Standard	3.07	707344-2X	2002913	706007X	2002914	75815-2X	75815-1X
<b>2000 XJ RHD</b>								
610858-1	Standard	3.55	707344-8X	2002913	706007X	2002914	75814-2X	75814-1X
610975	Standard	3.55	707344-8X	2002913	706007X	2002914	75814-2X	75814-1X
<b>2000 XJ RHD w/ABS</b>								
610859-1	Standard	3.55	707344-8X	2002913	706007X	2002914	75815-2X	75815-1X
610970	Standard	3.55	707344-8X	2002913	706007X	2002914	75815-2X	75815-1X
<b>2001 XJ</b>								
611101-1	Standard	3.07	708132-1	2002913	706007X	2002914	75814-2X	75814-1X
611101-2	Standard	3.55	708132-2	2002913	706007X	2002914	75814-2X	75814-1X
611106-1	Standard	3.07	708132-1	2002913	706007X	2002914	75814-2X	75814-1X
611113-1	Standard	3.55	708132-2	2002913	706007X	2002914	75814-2X	75814-1X
<b>2001 XJ w/ABS</b>								
611102-1	Standard	3.07	708132-1	2002913	706007X	2002914	75815-2X	75815-1X
611102-2	Standard	3.55	708132-2	2002913	706007X	2002914	75815-2X	75815-1X
611105-2	Standard	3.55	708132-2	2002913	706007X	2002914	75815-2X	75815-1X
611107-1	Standard	3.07	708132-1	2002913	706007X	2002914	75815-2X	75815-1X
<b>2001 XJ RHD</b>								
611103-1	Standard	3.55	708132-2	2002913	706007X	2002914	75814-2X	75814-1X
611110-1	Standard	3.55	708132-2	2002913	706007X	2002914	75814-2X	75814-1X
<b>2001 XJ RHD w/ABS</b>								
611104-1	Standard	3.55	708132-2	2002913	706007X	2002914	75815-2X	75815-1X
611109-1	Standard	3.55	708132-2	2002913	706007X	2002914	75815-2X	75815-1X

(7) See Ring Gear & Pinion Kits in XGI Catalog for ratio & tooth combinations.

(8) See Differential Case Assy Kits in XGI Catalog for spline data & ratios.

(9) Serviced with complete differential case assembly kit only.

# Jeep 30/181 Front with Collapsible Spacer

## Bill of Material Table

Axle			Axle Kits				Shaft & Joint Assy.	
Bill of Material	Diff. Type	Ratio	Ring Gear & Pinion Kit <sup>(7)</sup>	Differential			Right Hand Shaft Assy.	Left Hand Shaft Assy.
				Case Assy. Kit <sup>(8)</sup>	Case Kit	Inner Parts Kit		
<b>2001-02 TJ</b>								
611114-1	Standard	3.07	708132-1	2002913	706007X	2002914	75814-2X	75814-1X
611114-3	Standard	4.10	708132-3	707159X	706008X	2002914	75814-2X	75814-1X
611114-4	Standard	3.73	708132-4	707159X	706008X	2002914	75814-2X	75814-1X
611114-5	Standard	4.56	708132-5	707159X	706008X	2002914	75814-2X	75814-1X
<b>2001-02 TJ w/ABS</b>								
611115-1	Standard	3.07	708132-1	2002913	706007X	2002914	75815-2X	75815-1X
611115-3	Standard	3.73	708132-4	707159X	706008X	2002914	75815-2X	75815-1X
<b>2001-02 TJ RHD</b>								
611116-1	Standard	3.07	708132-1	2002913	706007X	2002914	75814-2X	75814-1X
611116-3	Standard	3.73	708132-4	707159X	706008X	2002914	75814-2X	75814-1X
<b>2003 TJ RHD</b>								
611314-3	Standard	3.73	708132-4	707159X	706008X	2002914	75814-2X	75814-1X
<b>2003-05 TJ</b>								
611312-3	Standard	4.10	708132-3	2002915	706008X	2002914	75814-2X	75814-1X
611312-4	Standard	3.73	708132-4	707159X	706008X	2002914	75814-2X	75814-1X
611312-5	Standard	4.56	708132-5	707159X	706008X	2002914	75814-2X	75814-1X
611313-1	Standard	3.07	708132-1	2002913	706007X	2002914	75815-2X	75815-1X
611313-2	Standard	3.55	708132-2	2002913	706007X	2002914	75525-2X	75525-1X
611313-3	Standard	3.73	708132-4	707159X	706008X	2002914	75815-2X	75815-1X
<b>2003-05 TJ RHD</b>								
611314-1	Standard	3.07	708132-1	2002913	706007X	2002914	75814-2X	75814-1X
<b>2003-06 TJ</b>								
611312-1	Standard	3.07	708132-1	2002913	706007X	2002914	75814-2X	75814-1X
<b>2004-05 TJ w/ABS</b>								
611381-1	Standard	3.07	708132-1	2002913	706007X	2002914	75815-2X	75815-1X
611381-2	Standard	3.73	708132-4	2002915	706008X	2002914	75815-2X	75815-1X
<b>2006 TJ w/ABS</b>								
2006227-1	Standard	3.07	708132-1	2002913	706007X	2002914	75632-2X	75632-1X
2006227-2	Standard	3.07	708132-1	2002913	706007X	2002914	75632-2X	75632-1X
2006227-3	Standard	3.73	708132-4	2002915	706008X	2002914	75632-2X	75632-1X
2006227-4	Standard	3.73	708132-4	2002915	706008X	2002914	75632-2X	75632-1X
2006227-5	Standard	4.10	708132-3	2002915	706008X	2002914	75632-2X	75632-1X
2006228-1	Standard	3.07	708132-1	2002913	706007X	2002914	75815-2X	75815-1X
2006228-2	Standard	3.07	708132-1	2002913	706007X	2002914	75815-2X	75815-1X
2006228-3	Standard	3.73	708132-4	2002915	706008X	2002914	75815-2X	75815-1X
2006228-4	Standard	3.73	708132-4	2002915	706008X	2002914	75815-2X	75815-1X
<b>2006 TJ RHD</b>								
2006226-1	Standard	3.07	708132-4	2002913	706007X	2002914	75814-2X	75814-1X
2006226-2	Standard	3.73	708132-4	2002915	706008X	2002914	75814-2X	75814-1X
2006226-3	Standard	3.73	708132-4	2002915	706008X	2002914	75814-2X	75814-1X
<b>2006 TJ RHD w/ABS</b>								
2006229-1	Standard	3.07	708132-1	2002913	706007X	2002914	75525-2X	75525-1X
2006229-2	Standard	3.73	708132-4	2002915	706008X	2002914	75525-2X	75525-1X

(7) See Ring Gear &amp; Pinion Kits in XGI Catalog for ratio &amp; tooth combinations.

(8) See Differential Case Assy Kits in XGI Catalog for spline data &amp; ratios.

(9) Serviced with complete differential case assembly kit only.

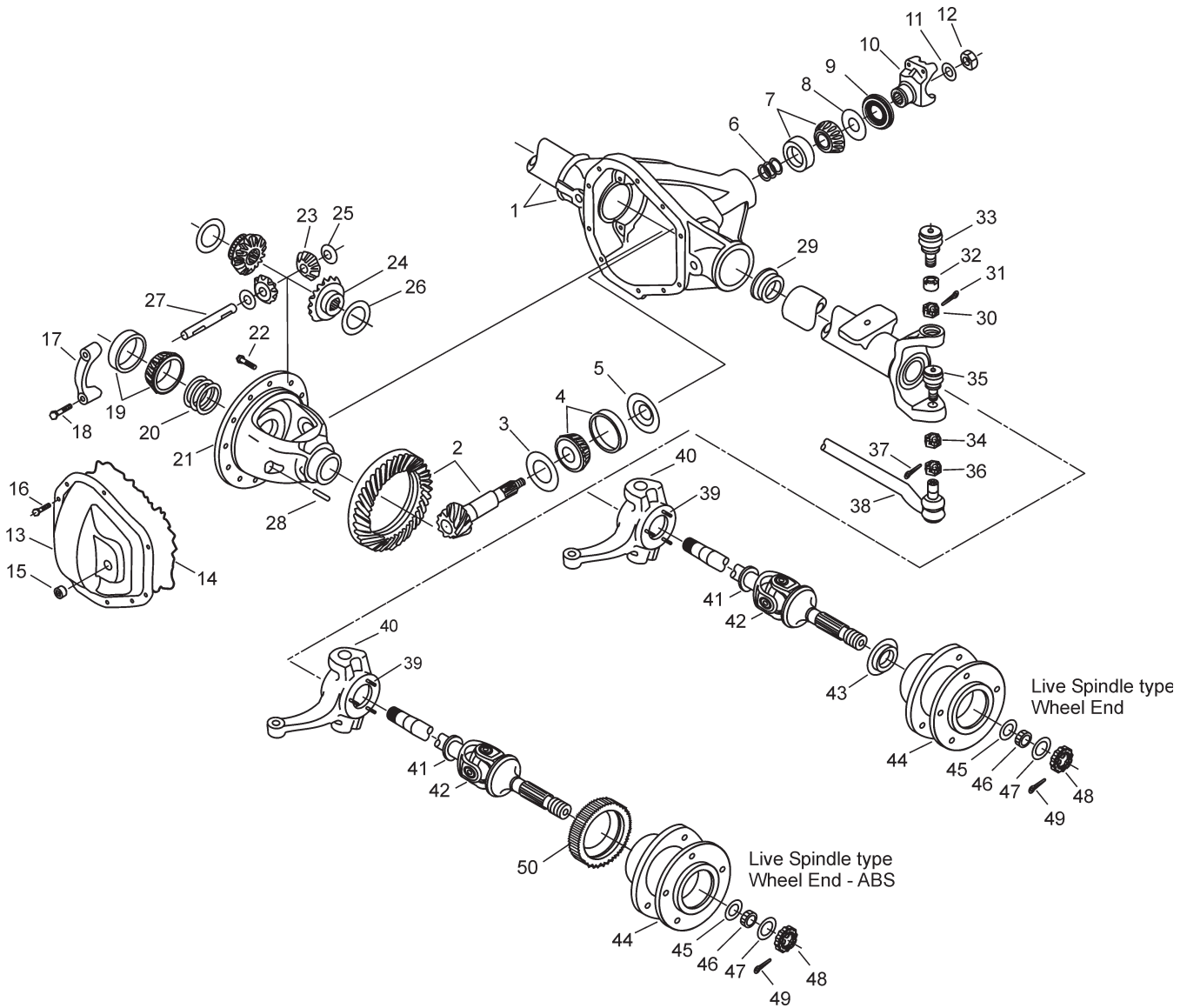
# Jeep 30/181 Front with Collapsible Spacer Variable Parts Listing

Kits & Parts - Use With All Applications						
	Description & Item Number (Refer to "Exploded View" at the front of this section)	Bills of Material				
		2006226	2006227	2006228	2006229	610856
1	Bearing Installation Kit	-	-	-	-	-
2	Master Overhaul Kit	-	-	-	-	-
3	Seal - Pinion Oil	8	50660	50660	50660	44895
4	Pinion - Differential (std)	22	46504	32926	46504	32926
5	Gear - Differential (std)	23	46502	33213	46502	33213
6	Guide - Axle Shaft	37	2003626	2003626	2003626	-
			<b>610857</b>	<b>610858</b>	<b>610859</b>	<b>610881</b>
						<b>610882</b>
1	Bearing Installation Kit	-	2017365	-	2017365	2017365
2	Master Overhaul Kit	-	2017383	-	2017383	2017383
3	Seal - Pinion Oil	8	44895	44895	44895	44895
4	Pinion - Differential (std)	22	32926	32926	32926	32926
5	Gear - Differential (std)	23	33213	33213	33213	33213
6	Guide - Axle Shaft	37	-	-	-	-
			<b>610883</b>	<b>610945</b>	<b>610967</b>	<b>610968</b>
						<b>610970</b>
1	Bearing Installation Kit	-	2017365	2017365	-	2017365
2	Master Overhaul Kit	-	2017383	2017383	-	2017383
3	Seal - Pinion Oil	8	44895	44895	44895	44895
4	Pinion - Differential (std)	22	32926	32926	32926	32926
5	Gear - Differential (std)	23	33213	33213	33213	33213
6	Guide - Axle Shaft	37	-	-	-	-
			<b>610975</b>	<b>610980</b>	<b>611101</b>	<b>611102</b>
						<b>611103</b>
1	Bearing Installation Kit	-	-	-	-	2017370
2	Master Overhaul Kit	-	-	-	-	2017381
3	Seal - Pinion Oil	8	44895	44895	50660	50660
4	Pinion - Differential (std)	22	32926	32926	32926	32926
5	Gear - Differential (std)	23	33213	33213	33213	33213
6	Guide - Axle Shaft	37	-	-	-	-
			<b>611104</b>	<b>611105</b>	<b>611106</b>	<b>611107</b>
						<b>611109</b>
1	Bearing Installation Kit	-	2017370	-	-	2017370
2	Master Overhaul Kit	-	2017381	-	-	2017381
3	Seal - Pinion Oil	8	50660	50660	50660	50660
4	Pinion - Differential (std)	22	32926	32926	32926	32926
5	Gear - Differential (std)	23	33213	33213	33213	33213
6	Guide - Axle Shaft	37	-	-	-	-
			<b>611110</b>	<b>611113</b>	<b>611114</b>	<b>611115</b>
						<b>611116</b>
1	Bearing Installation Kit	-	-	-	-	
2	Master Overhaul Kit	-	-	-	-	
3	Seal - Pinion Oil	8	50660	50660	50660	
4	Pinion - Differential (std)	22	32926	32926	32926	
5	Gear - Differential (std)	23	33213	33213	33213	
6	Guide - Axle Shaft	37	2003626	2003626	2003626	
			<b>611312</b>	<b>611313</b>	<b>611314</b>	<b>611381</b>



**Model 30 /181  
Front Axles for  
XJ (Cherokee)  
X1 (Cherokee)**

# Jeep 30 /181 Front Exploded View



# Jeep 30 /181 Front Parts Listing

ITEM NO.	PART NUMBER	DESCRIPTION	ITEM NO.	PART NUMBER	DESCRIPTION
1	-(3)	Housing - Axle Service	25	34096	Thrustwasher - Diff Pinion (std)
2	-(1)	Drive Pinion & Gear Assembly	26	40027	Thrustwasher - Diff Gear (std)
3	44035	Slinger - Inner Pinion Bearing	27	41648	Shaft - Differential (std)
	-(2)	Bearing Installation Kit	28	13449	Lock - Differential Shaft
	-(2)	Master Overhaul Kit	29	46470	Oil Seal
4	706015X	KIT - Inner Pinion Bearing		706944X	KIT - Socket Assy (inc 31 thru 37)
5	32349	Baffle - Pinion Bearing	30	40584	Slotted Nut
6	701108X	Outer Pinion Bearing Shims	31	500024-6	Cotter Pin
7	706030X	KIT - Outer Pinion Bearing	32	40586	Adjusting Split Ring
8	13575	Slinger - Outer Pinion Bearing	33	40583	Socket Assembly
9	-(2)	Seal - Pinion Oil	34	43682	Nut - Hex Jam / Slotted
10	2-4-6561-1	End Yoke	35	40916	Socket Assembly
11	30186	Washer - Pinion Nut	36	40584	Nut - Hex Slotted
12	30185	Pinion Nut	37	500024-6	Cotter Pin
	707180X	KIT - Carrier Cover (inc items 13,14,15,16)	38	-(3)	Tie Rod Assembly
13	40869	Carrier Cover	39	41027	Bolt - Knuckle
14	38615	RTV Silicone Sealant	40	-(3)	Right / Left Knuckle
15	43180	Plug - Carrier Cover	41	46849	Slinger - Spindle Yoke (Inner)
16	34279	Bolt - Carrier Cover (qty 10)	42	-(1)	Shaft & Joint Assembly
17	-(3)	Differential Bearing Cap	43	46988	Slinger-Spindle Yoke(Outer,non-ABS)
18	48631-1	Bolt - Differential Bearing Cap	44	-(3)	Hub Assembly
19	706016X	KIT - Differential Bearing	45	40596	Washer - Flat
20	701004X	Differential Bearing Shims	46	40597	Nut - Hex
21	-(1)	Case - Differential (std)	47	45749	Spring - Wave Washer
22	41221	Bolt - Drive Gear (qty 10)	48	40598	Nut - Retainer
23	32926	Pinion - Differential (std)	49	500025-10	Cotter Pin
24	33213	Gear - Differential (std)	50	44646	Tone Ring (ABS only)

- (1) See "Bill of Material Table" on next page  
 (2) See "Variable Parts Table" within this section  
 (3) Contact Vehicle Manufacturer  
 (4) Not Sold Separately  
 (5) See shim table in the back of this catalog

# Jeep 30 /181 Front Bill of Material Table

Axle			Axle Kits				Shaft & Joint Assy.	
Bill of Material	Diff. Type	Ratio	Ring Gear & Pinion Kit <sup>(7)</sup>	Differential			Right Hand Shaft Assy.	Left Hand Shaft Assy.
				Case Assy. Kit <sup>(8)</sup>	Case Kit	Inner Parts Kit		
<b>1999 XJ (Dead Front)</b>								
610877								
610915								
<b>1999 XJ w/ABS (Dead Front)</b>								
610878								
610944								
<b>1999 XJ LHD Diesel</b>								
610873-1	Standard	3.73	706930-5X	707159X	706934X	2002914	75814-2X	75814-1X
<b>1999 XJ LHD Diesel w/ABS</b>								
610874-1	Standard	3.73	706930-5X	707159X	706934X	2002914	75815-2X	75815-1X
<b>1999 XJ Non-Disconnect - Live Spindle Wheel End</b>								
610869-1	Standard	3.07	706930-2X	2002913	706933X	2002914	75814-2X	75814-1X
610869-2	Standard	3.55	706930-8X	2002913	706933X	2002914	75814-2X	75814-1X
610869-3	Standard	4.10	706930-4X	707159X	706934X	2002914	75814-2X	75814-1X
<b>1999 XJ Non-Disconnect - Live Spindle Wheel End w/ABS</b>								
610870-1	Standard	3.07	706930-2X	2002913	706933X	2002914	75815-2X	75815-1X
610870-2	Standard	3.55	706930-8X	2002913	706933X	2002914	75815-2X	75815-1X
610930-2	Standard	3.55	706930-8X	2002913	706933X	2002914	75815-2X	75815-1X
<b>1999 XJ RHD</b>								
610871-1	Standard	3.55	706930-8X	2002913	706933X	2002914	75814-2X	75814-1X
610871-2	Standard	4.10	706930-4X	707159X	706934X	2002914	75814-2X	75814-1X
<b>1999 XJ RHD w/ABS</b>								
610872-1	Standard	3.55	706930-8X	2002913	706933X	2002914	75815-2X	75815-1X
<b>1999 XJ RHD w/ABS (Dead Front)</b>								
610880								
<b>1999 XJ RHD Diesel</b>								
610875-1	Standard	3.73	706930-5X	707159X	706934X	2002914	75814-2X	75814-1X
<b>1999 XJ RHD Diesel w/ABS</b>								
610876-1	Standard	3.73	706930-5X	707159X	706934X	2002914	75815-2X	75815-1X
<b>1999 XJ RHD, (Dead Front)</b>								
610879								
<b>1999 X1 (Dead Front)</b>								
610909								
<b>1999 X1 (Dead Front) w/ABS</b>								
610910								
<b>1999 X1 Non-Disconnect</b>								
610906-1	Standard	3.55	706930-8X	2002913	706933X	2002914	75814-2X	75814-1X
610906-2	Standard	4.10	706930-4X	707159X	706934X	2002914	75814-2X	75814-1X
<b>1999 X1 Non-Disconnect w/ABS</b>								
610907-1	Standard	3.55	706930-8X	2002913	706933X	2002914	75815-2X	75815-1X
<b>1999 X1 Non-Disconnect, Diesel w/ABS</b>								
610908-1	Standard	3.73	706930-5X	707159X	706934X	2002914	75815-2X	75815-1X
<b>1999 X1 Non-Disconnect, RH Steering</b>								
610904-1	Standard	3.55	706930-8X	2002913	706933X	2002914	75814-2X	75814-1X
610904-2	Standard	4.10	706930-4X	707159X	706934X	2002914	75814-2X	75814-1X

(7) See Ring Gear & Pinion Kits in XGI Catalog for ratio & tooth combinations.

(8) See Differential Case Assy Kits in XGI Catalog for spline data & ratios.

(9) Serviced with complete differential case assembly kit only.

# Jeep 30 /181 Front Bill of Material Table

Axle			Axle Kits				Shaft & Joint Assy.	
Bill of Material	Diff. Type	Ratio	Ring Gear & Pinion Kit <sup>(7)</sup>	Differential			Right Hand Shaft Assy.	Left Hand Shaft Assy.
				Case Assy. Kit <sup>(8)</sup>	Case Kit	Inner Parts Kit		
<b>1999 X1 Non-Disconnect, RH Steering w/ABS</b>								
610905-1	Standard	3.55	706930-8X	2002913	706933X	2002914	75815-2X	75815-1X
<b>2000 XJ w/ABS (Dead Front)</b>								
610916								
610937								
<b>2000 XJ LHD Diesel</b>								
610971	Standard	3.73	706930-5X	707159X	706934X	2002914	75814-2X	75814-1X
<b>2000 XJ LHD Diesel w/ABS</b>								
610972	Standard	3.73	706930-5X	707159X	706934X	2002914	75815-2X	75815-1X
<b>2000 XJ Non-Disconnect - Live Spindle Wheel End</b>								
610976	Standard	4.10	706930-4X	707159X	706934X	2002914	75814-2X	75814-1X
610977	Standard	4.10	706930-4X	707159X	706934X	2002914	75814-2X	75814-1X
<b>2000 XJ RHD</b>								
610969	Standard	4.10	706930-4X	707159X	706934X	2002914	75814-2X	75814-1X
<b>2000 XJ RHD Diesel</b>								
610973	Standard	3.73	706930-5X	707159X	706934X	2002914	75814-2X	75814-1X
<b>2000 XJ RHD Diesel w/ABS</b>								
610974	Standard	3.73	706930-5X	707159X	706934X	2002914	75815-2X	75815-1X
<b>2000 XJ RHD, (Dead Front)</b>								
610917								
<b>2000 X1 (Dead Front)</b>								
611003								
<b>2001 XJ</b>								
611130-1	Standard	3.73	708133-1	707159X	706934X	2002914	75814-2X	75814-1X
<b>2001 XJ LHD Diesel w/ABS</b>								
611131-1	Standard	3.73	708133-1	707159X	706934X	2002914	75815-2X	75815-1X
<b>2001 XJ RHD Diesel</b>								
611132-1	Standard	3.73	708133-1	707159X	706934X	2002914	75814-2X	75814-1X
<b>2001 XJ RHD Diesel w/ABS</b>								
611133-1	Standard	3.73	708133-1	707159X	706934X	2002914	75815-2X	75815-1X

(7) See Ring Gear &amp; Pinion Kits in XGI Catalog for ratio &amp; tooth combinations.

(8) See Differential Case Assy Kits in XGI Catalog for spline data &amp; ratios.

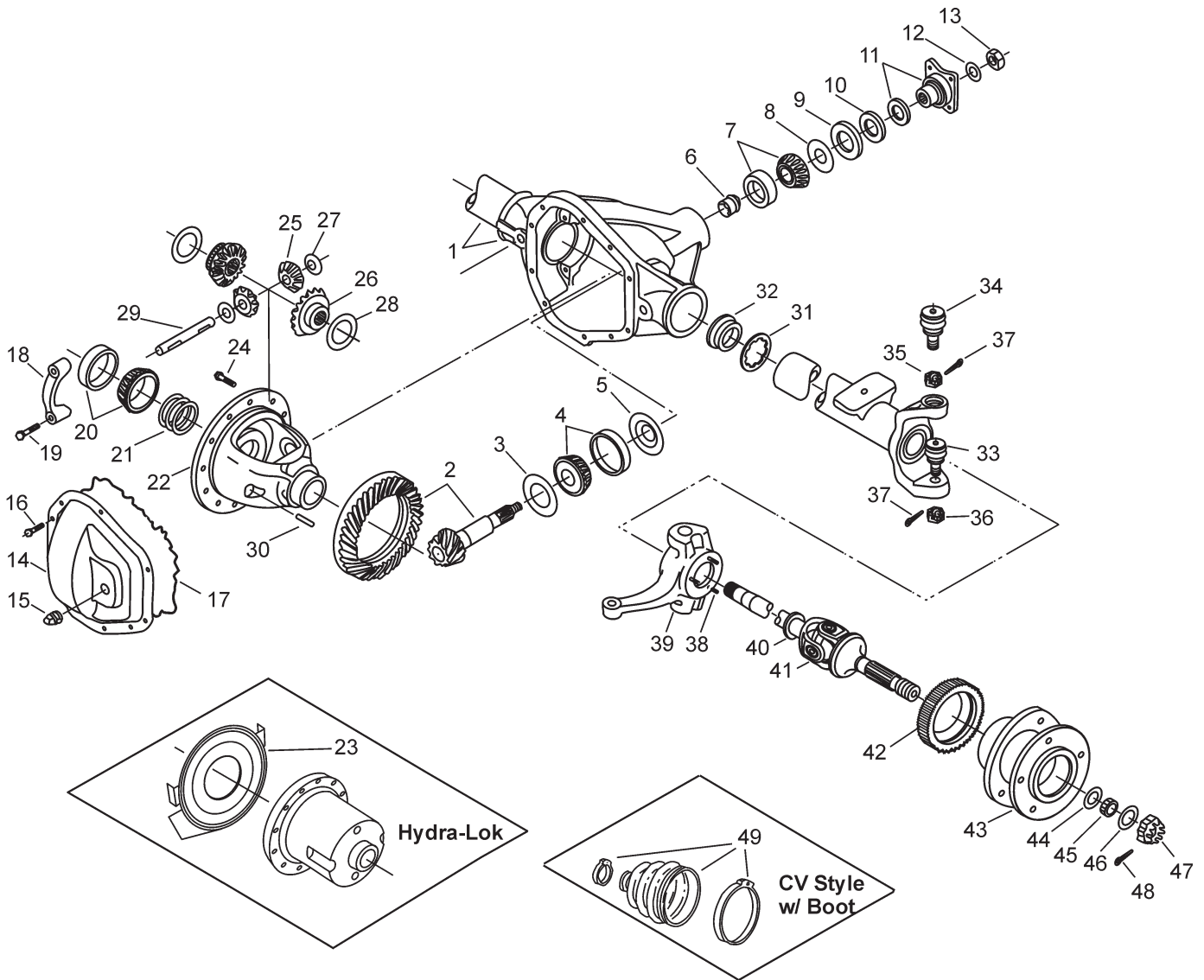
(9) Serviced with complete differential case assembly kit only.

# Jeep 30 /181 Front Variable Parts Listing

Kits & Parts - Use With All Applications							
Description & Item Number (Refer to "Exploded View" at the front of this section)			Bills of Material				
			610869	610870	610871	610872	610873
1	Bearing Installation Kit	-	2017361	2017361	2017361	2017361	2017361
2	Master Overhaul Kit	-	2017371	2017371	2017371	2017371	2017371
3	Seal - Pinion Oil	9	44895	44895	44895	44895	44895
			<b>610874</b>	<b>610875</b>	<b>610876</b>	<b>610877</b>	<b>610878</b>
1	Bearing Installation Kit	-	2017361	2017361	2017361	-	-
2	Master Overhaul Kit	-	2017371	2017371	2017371	-	-
3	Seal - Pinion Oil	9	44895	44895	44895	-	-
			<b>610879</b>	<b>610880</b>	<b>610904</b>	<b>610905</b>	<b>610906</b>
1	Bearing Installation Kit	-	-	-	2017361	2017361	2017361
2	Master Overhaul Kit	-	-	-	2017371	2017371	2017371
3	Seal - Pinion Oil	9	-	-	44895	44895	44895
			<b>610907</b>	<b>610908</b>	<b>610909</b>	<b>610910</b>	<b>610915</b>
1	Bearing Installation Kit	-	2017361	2017361	-	-	-
2	Master Overhaul Kit	-	2017371	2017371	-	-	-
3	Seal - Pinion Oil	9	44895	44895	-	-	-
			<b>610916</b>	<b>610917</b>	<b>610930</b>	<b>610937</b>	<b>610944</b>
1	Bearing Installation Kit	-	-	-	2017361	-	-
2	Master Overhaul Kit	-	-	-	2017371	-	-
3	Seal - Pinion Oil	9	-	-	44895	-	-
			<b>610969</b>	<b>610971</b>	<b>610972</b>	<b>610973</b>	<b>610974</b>
1	Bearing Installation Kit	-	2017361	2017361	2017361	2017361	2017361
2	Master Overhaul Kit	-	2017371	2017371	2017371	2017371	2017371
3	Seal - Pinion Oil	9	44895	44895	44895	44895	44895
			<b>610976</b>	<b>610977</b>	<b>611003</b>	<b>611130</b>	<b>611131</b>
1	Bearing Installation Kit	-	2017361	2017361	-	2017369	2017369
2	Master Overhaul Kit	-	2017371	2017371	-	2017380	2017380
3	Seal - Pinion Oil	9	44895	44895	-	50660	50660
			<b>611132</b>	<b>611133</b>			
1	Bearing Installation Kit	-	2017369	2017369			
2	Master Overhaul Kit	-	2017380	2017380			
3	Seal - Pinion Oil	9	50660	50660			

**Model Super 30 /186  
Front Axles for  
JK (Wrangler)  
WJ (Grand Cherokee)**

# Jeep Super 30 /186 Front (JK & WJ) Exploded View





# Jeep Super 30 /186 Front (JK & WJ)

## Parts Listing

ITEM NO.	PART NUMBER	DESCRIPTION	ITEM NO.	PART NUMBER	DESCRIPTION
1	-(3)	Housing - Axle Service	24	41221	Bolt - Drive Gear (qty 10)
2	-(1)	Drive Pinion & Gear Assembly	25	-(2)	Pinion - Differential (std)
3	-(2)	Slinger - Variable Thicknesses	26	-(2)	Gear - Differential (std)
	-(2)	Bearing Installation Kit	27	-(2)	Thrustwasher - Diff Pinion (std)
	-(2)	Master Overhaul Kit	28	-(2)	Thrustwasher - Diff Gear (std)
4	-(2)	KIT - Inner Pinion Bearing	29	41648	Shaft - Differential (std)
5	-(2)	Baffle - Pinion Oil	30	13449	Lock - Differential Shaft (std)
6	-(2)	Collapsible Spacer	31	-(2)	Guide Tube
7	-(2)	KIT - Outer Pinion Bearing	32	-(2)	Oil Seal
8	-(2)	Slinger		-(2)	KIT - Socket Assembly
9	-(2)	Seal - Pinion Oil			(inc 33, 34, 35, 36, 37)
10	-(2)	Oil Seal	33	-(2)	Socket Assembly (upper)
11	-(2)	End Yoke/Companion Flange Assy	34	40584	Slotted Nut (upper)
12	-	Washer - Pinion Nut	35	-(2)	Socket Assembly (lower)
13	-(2)	Pinion Nut	36	43682	Slotted Nut
	-(2)	KIT - Carrier Cover	37	500024-6	Cotter Pin
		(inc items 14, 15, 16)	38	-(2)	Bolt - Knuckle
14	-(2)	Carrier Cover	39	-(3)	Right Knuckle
15	-(2)	Plug - Carrier Cover	40	-(2)	Dust Slinger
16	34279	Bolt - Carrier (qty 10)	41	-(1)	Axle Shaft
17	38615	RTV Silicone Sealant	42	-(4)	Tone Ring (ABS Only)
18	-(3)	Differential Bearing Cap	43	-(3)	Hub Assembly
19	48631-1	Bolt - Differential Bearing Cap	44	-(2)	Washer - Flat
20	706016X	KIT - Differential Bearing	45	-(2)	Hex Nut
21	49036 (5)	Spacer - Differential	46	-(2)	Washer - Spring Wave
22	-(1)	Case - Differential	47	-(2)	Retainer Nut
23	49175	Plenum Assembly (Hydra-Lok)	48	-(2)	Cotter Pin
		(Hydra Lok - Serviced only as an assembled unit)	49	708179	KIT - Boot & Clamp (CV Style only)

- (1) See "Bill of Material Table" on next page  
 (2) See "Variable Parts Table" within this section  
 (3) Contact Vehicle Manufacturer  
 (4) Not Sold Separately  
 (5) See shim table in the back of this catalog



# Jeep Super 30 /186 Front (JK & WJ) Bill of Material Table

Axle			Axle Kits				Shaft & Joint Assy.	
Bill of Material	Diff. Type	Ratio	Ring Gear & Pinion Kit <sup>(7)</sup>	Differential			Right Hand Shaft Assy.	Left Hand Shaft Assy.
				Case Assy. Kit <sup>(8)</sup>	Case Kit	Inner Parts Kit		
<b>1999 WJ w/ABS</b>								
610735-3	Standard	3.73	76386-5X	707159-1X	706008-2X	2002914	76500-1X	76500-2X
610735-3	Standard	3.73	76386-5X	707159-1X	706008-2X	2002914	76500-1X	76500-2X
<b>1999 WJ CV w/ABS</b>								
610734-2	Standard	3.55	76385-5X	707158-1X	706007-1X	2002914	51737-1	51737-2
610734-3	Standard	3.73	76386-5X	707159-1X	706008-2X	2002914	51737-1	51737-2
610742-3	Hydra Lok	3.73	76386-5X	85282	-(9)	-(9)	51737-3	51737-4
610919-1	Standard	3.55	76385-5X	707158-1X	706007-1X	2002914	51737-1	51737-2
610919-2	Standard	3.73	76386-5X	707159-1X	706008-2X	2002914	51737-1	51737-2
610919-3	Standard	3.91	80177-5	707159-1X	706008-2X	2002914	51737-1	51737-2
610920	Standard	3.73	76386-5X	707159-1X	706008-2X	2002914	51737-1	51737-2
610921	Hydra Lok	3.73	76386-5X	85282	-(9)	-(9)	51737-3	51737-4
610922	Hydra Lok	3.73	76386-5X	85282	-(9)	-(9)	51737-3	51737-4
610924	Hydra Lok	3.91	80177-5	85282	-(9)	-(9)	51737-3	51737-4
610926	Standard	3.91	80177-5	707159-1X	706008-2X	2002914	51737-1	51737-2
610927	Hydra Lok	3.91	80177-5	85282	-(9)	-(9)	51737-3	51737-4
<b>1999 1/2 WJ w/ABS</b>								
610863-2	Standard	3.55	76385-5X	707158-1X	706007-1X	2002914	51737-1	51737-2
610863-3	Standard	3.73	76386-5X	707159-1X	706008-2X	2002914	51737-1	51737-2
<b>1999 1/2 WJ CV w/ABS</b>								
610862-2	Standard	3.55	76385-5X	707158-1X	706007-1X	2002914	51737-1	51737-2
610862-3	Standard	3.73	76386-5X	707159-1X	706008-2X	2002914	51737-1	51737-2
610862-4	Standard	3.91	80177-5	707159-1X	706008-2X	2002914	51737-1	51737-2
610864-3	Standard	3.73	76386-5X	707159-1X	706008-2X	2002914	51737-1	51737-2
610864-4	Standard	3.91	80177-5	707159-1X	706008-2X	2002914	51737-1	51737-2
610865-3	Hydra Lok	3.73	76386-5X	85282	-(9)	-(9)	51737-3	51737-4
610866-3	Hydra Lok	3.73	76386-5X	85282	-(9)	-(9)	51737-3	51737-4
610866-4	Hydra Lok	3.91	80177-5	85282	-	-	51737-3	51737-4
610868-1	Hydra Lok	3.91	80177-5	85282	-(9)	-(9)	51737-3	51737-4
<b>2000 WJ CV w/ABS</b>								
610946-1	Standard	3.55	76385-5X	707158-1X	706007-1X	2002914	51737-1	51737-2
610946-2	Standard	3.73	76386-5X	707159-1X	706008-2X	2002914	51737-1	51737-2
610946-3	Standard	3.91	80177-5	707159-1X	706008-2X	2002914	51737-1	51737-2
610947	Standard	3.73	76386-5X	707159-1X	706008-2X	2002914	51737-1	51737-2
610948	Hydra Lok	3.73	76386-5X	85282	-(9)	-(9)	51737-3	51737-4
610949	Hydra Lok	3.73	76386-5X	85282	-(9)	-(9)	51737-3	51737-4
610951	Hydra Lok	3.91	80177-5	85282	-(9)	-(9)	51737-3	51737-4
610952	Standard	3.91	80177-5	707159-1X	706008-2X	2002914	51737-1	51737-2
610953	Hydra Lok	3.91	80177-5	85282	-(9)	-(9)	51737-3	51737-4
611007-1	Standard	3.55	76385-5X	707158-1X	706007-1X	2002914	51737-1	51737-2
611007-2	Standard	3.73	76386-5X	707159-1X	706008-2X	2002914	51737-1	51737-2
611007-3	Standard	3.91	80177-5	707159-1X	706008-2X	2002914	51737-1	51737-2
611008	Standard	3.73	76386-5X	707159-1X	706008-2X	2002914	51737-1	51737-2
611009	Hydra Lok	3.73	76386-5X	85282	-(9)	-(9)	51737-3	51737-4
611010	Hydra Lok	3.73	76386-5X	85282	-(9)	-(9)	51737-3	51737-4
611012	Hydra Lok	3.91	80177-5	85282	-(9)	-(9)	51737-3	51737-4

(7) See Ring Gear & Pinion Kits in XGI Catalog for ratio & tooth combinations.

(8) See Differential Case Assy Kits in XGI Catalog for spline data & ratios.

(9) Serviced with complete differential case assembly kit only.

# Jeep Super 30 /186 Front (JK & WJ)

## Bill of Material Table

Axle			Axle Kits				Shaft & Joint Assy.	
Bill of Material	Diff. Type	Ratio	Ring Gear & Pinion Kit <sup>(7)</sup>	Differential			Right Hand Shaft Assy.	Left Hand Shaft Assy.
				Case Assy. Kit <sup>(8)</sup>	Case Kit	Inner Parts Kit		
<b>2000 WJ CV w/ABS (Continued)</b>								
611012	Hydra Lok	3.91	80177-5	85282	-(9)	-(9)	51737-3	51737-4
611013	Standard	3.91	80177-5	707159-1X	706008-2X	2002914	51737-1	51737-2
611014	Hydra Lok	3.91	80177-5	85282	-(9)	-(9)	51737-3	51737-4
611093-1	Standard	3.55	76385-5X	707158-1X	706007-1X	2002914	51737-1	51737-2
611093-2	Standard	3.73	76386-5X	707159-1X	706008-2X	2002914	51737-1	51737-2
611093-3	Standard	3.91	80177-5	707159-1X	706008-2X	2002914	51737-1	51737-2
611094	Standard	3.73	76386-5X	707159-1X	706008-2X	2002914	51737-1	51737-2
611095	Hydra Lok	3.73	76386-5X	85282	-(9)	-(9)	51737-3	51737-4
611096	Hydra Lok	3.73	76386-5X	85282	-(9)	-(9)	51737-3	51737-4
611098	Hydra Lok	3.91	80177-5	85282	-(9)	-(9)	51737-3	51737-4
611099	Standard	3.91	80177-5	707159-1X	706008-2X	2002914	51737-1	51737-2
611100	Hydra Lok	3.91	80177-5	85282	-(9)	-(9)	51737-3	51737-4
<b>2001 WJ (Dead Front)</b>								
611097								
611123								
<b>2001 WJ CV w/ABS</b>								
611117	Standard	3.73	76386-5X	707159-1X	706008-2X	2002914	51737-1	51737-2
611118	Hydra Lok	3.73	76386-5X	85282	-(9)	-(9)	51737-3	51737-4
611119-1	Standard	3.55	76385-5X	707158-1X	706007-1X	2002914	51737-1	51737-2
611119-2	Standard	3.73	76386-5X	707159-1X	706008-2X	2002914	51737-1	51737-2
611119-3	Standard	3.91	80177-5	707159-1X	706008-2X	2002914	51737-1	51737-2
611120	Standard	3.73	76386-5X	707159-1X	706008-2X	2002914	51737-1	51737-2
611121	Hydra Lok	3.73	76386-5X	85282	-(9)	-(9)	51737-3	51737-4
611122	Hydra Lok	3.73	76386-5X	85282	-(9)	-(9)	51737-3	51737-4
611124	Hydra Lok	3.91	80177-5	85282	-(9)	-(9)	51737-3	51737-4
611125	Standard	3.91	80177-5	707159-1X	706008-2X	2002914	51737-1	51737-2
611126	Hydra Lok	3.91	80177-5	85282	-(9)	-(9)	51737-3	51737-4
611166	Standard	3.55	76385-5X	707158-1X	706007-1X	2002914	51737-1	51737-2
611279	Hydra Lok	3.73	76386-5X	85282	-(9)	-(9)	51737-3	51737-4
611322	Hydra Lok	3.73	76386-5X	85282	-(9)	-(9)	51737-3	51737-4
<b>2002 WJ (Dead Front)</b>								
611219								
611327								
<b>2002 WJ w/ABS (Dead Front)</b>								
611284								
<b>2002 WJ CV w/ABS</b>								
611251	Standard	3.55	76385-5X	707158-1X	706007-1X	2002914	51737-1	51737-2
611252	Hydra Lok	3.55	76385-5X	85911	-(9)	-(9)	51737-3	51737-4
611253	Standard	3.55	76385-5X	707158-1X	706007-1X	2002914	51737-1	51737-2
611254	Hydra Lok	3.55	76385-5X	85911	-(9)	-(9)	51737-3	51737-4
611278	Standard	3.73	76386-5X	707159-1X	706008-2X	2002914	51737-1	51737-2
611280	Standard	3.73	76386-5X	707159-1X	706008-2X	2002914	51737-1	51737-2
611281	Standard	3.73	76386-5X	707159-1X	706008-2X	2002914	51737-1	51737-2
611282	Hydra Lok	3.73	76386-5X	85282	-(9)	-(9)	51737-3	51737-4

**Continued on next page**

(7) See Ring Gear & Pinion Kits in XGI Catalog for ratio & tooth combinations.

(8) See Differential Case Assy Kits in XGI Catalog for spline data & ratios.

(9) Serviced with complete differential case assembly kit only.

# Jeep Super 30 /186 Front (JK & WJ) Bill of Material Table

Axle			Axle Kits				Shaft & Joint Assy.	
Bill of Material	Diff. Type	Ratio	Ring Gear & Pinion Kit <sup>(7)</sup>	Differential			Right Hand Shaft Assy.	Left Hand Shaft Assy.
				Case Assy. Kit <sup>(8)</sup>	Case Kit	Inner Parts Kit		
<b>2002 WJ CV w/ABS (Continued)</b>								
611283	Hydra Lok	3.73	76386-5X	85282	-(9)	-(9)	51737-3	51737-4
611285	Standard	3.55	76385-5X	707158-1X	706007-1X	2002914	51737-1	51737-2
611286	Standard	3.55	76385-5X	707158-1X	706007-1X	2002914	51737-1	51737-2
611287	Hydra Lok	3.55	76385-5X	85911	-(9)	-(9)	51737-3	51737-4
611288	Standard	3.55	76385-5X	707158-1X	706007-1X	2002914	51737-1	51737-2
611289	Hydra Lok	3.55	76385-5X	85911	-(9)	-(9)	51737-3	51737-4
611325	Hydra Lok	3.73	76386-5X	85282	-(9)	-(9)	51737-3	51737-4
611326	Hydra Lok	3.73	76386-5X	85282	-(9)	-(9)	51737-3	51737-4
611328	Standard	3.55	76385-5X	707158-1X	706007-1X	2002914	51737-1	51737-2
611332	Hydra Lok	3.55	76385-5X	85911	-(9)	-(9)	51737-3	51737-4
<b>2002-03 WJ CV w/ABS</b>								
611321	Standard	3.73	76386-5X	707159-1X	706008-2X	2002914	51737-1	51737-2
611323	Standard	3.73	76386-5X	707159-1X	706008-2X	2002914	51737-1	51737-2
611324	Standard	3.73	76386-5X	707159-1X	706008-2X	2002914	51737-1	51737-2
611329	Standard	3.55	76385-5X	707158-1X	706007-1X	2002914	51737-1	51737-2
611330	Hydra Lok	3.55	76385-5X	85911	-(9)	-(9)	51737-3	51737-4
611331	Standard	3.55	76385-5X	707158-1X	706007-1X	2002914	51737-1	51737-2
<b>2003 WJ CV w/ABS</b>								
611375	Hydra Lok	3.73	76386-5X	85282	-(9)	-(9)	51737-3	51737-4
<b>2003-04 WJ w/ABS (Dead Front)</b>								
2001194								
<b>2003-04 WJ CV w/ABS</b>								
2001195	Standard	3.55	76385-5X	707158-1X	706007-1X	2002914	51737-1	51737-2
2001196	Standard	3.73	76386-5X	707159-1X	706008-2X	2002914	51737-1	51737-2
2001197	Hydra Lok	3.73	76386-5X	85282	-(9)	-(9)	51737-3	51737-4
2001198	Standard	3.73	76386-5X	707159-1X	706008-2X	2002914	51737-1	51737-2
2001199	Hydra Lok	3.73	76386-5X	85282	-(9)	-(9)	51737-3	51737-4
2001200	Standard	3.55	76385-5X	707158-1X	706007-1X	2002914	51737-1	51737-2
2001201	Hydra Lok	3.55	76385-5X	85911	-(9)	-(9)	51737-3	51737-4
2001202	Standard	3.55	76385-5X	707158-1X	706007-1X	2002914	51737-1	51737-2
2001203	Hydra Lok	3.55	76385-5X	85911	-(9)	-(9)	51737-3	51737-4
2001204	Standard	3.73	76386-5X	707159-1X	706008-2X	2002914	51737-1	51737-2
2001205	Hydra Lok	3.73	76386-5X	85282	-(9)	-(9)	51737-3	51737-4
2001246	Standard	3.73	76386-5X	707159-1X	706008-2X	2002914	51737-1	51737-2
2001247	Hydra Lok	3.73	76386-5X	85282	-(9)	-(9)	51737-3	51737-4
<b>2004 WJ CV w/ABS</b>								
611373	Hydra Lok	3.55	76385-5X	85911	-(9)	-(9)	51737-3	51737-4
611374	Hydra Lok	3.55	76385-5X	85911	-(9)	-(9)	51737-3	51737-4
611376	Hydra Lok	3.73	76386-5X	85282	-(9)	-(9)	51737-3	51737-4
611377	Hydra Lok	3.73	76386-5X	85282	-(9)	-(9)	51737-3	51737-4

(7) See Ring Gear & Pinion Kits in XGI Catalog for ratio & tooth combinations.

(8) See Differential Case Assy Kits in XGI Catalog for spline data & ratios.

(9) Serviced with complete differential case assembly kit only.

# Jeep Super 30 /186 Front (JK & WJ)

## Bill of Material Table

Axle			Axle Kits				Shaft & Joint Assy.	
Bill of Material	Diff. Type	Ratio	Ring Gear & Pinion Kit <sup>(7)</sup>	Differential			Right Hand Shaft Assy.	Left Hand Shaft Assy.
				Case Assy. Kit <sup>(8)</sup>	Case Kit	Inner Parts Kit		
<b>2007 JK</b>								
2005185-1	Standard	3.21	2005015-5	2005961	-(9)	2005962	2004508-2	2004508-1
2005185-2	Standard	4.10	2005027-5	2005974	2010999	2005962	2004508-2	2004508-1
2005186-1	Standard	3.21	2005015-5	2005961	-(9)	2005962	2004508-2	2004508-1
2005186-2	Standard	4.10	2005027-5	2005974	2010999	2005962	2004508-2	2004508-1
2006770-1	Standard	3.21	2005015-5	2005961	-(9)	2005962	2006481-2	2006481-1
2006770-2	Standard	4.10	2005027-5	2005974	2010999	2005962	2006481-2	2006481-1
2006773-1	Standard	3.21	2005015-5	2005961	-(9)	2005962	2006481-2	2006481-1
2006773-2	Standard	4.10	2005027-5	2005974	2010999	2005962	2006481-2	2006481-1
2007652-1	Standard	3.21	2005015-5	2005961	-(9)	2005962	2006481-2	2006481-1
2007652-2	Standard	4.10	2005027-5	2005974	2010999	2005962	2006481-2	2006481-1
2007653-1	Standard	3.21	2005015-5	2005961	-(9)	2005962	2006481-2	2006481-1
2007653-2	Standard	4.10	2005027-5	2005974	2010999	2005962	2006481-2	2006481-1
<b>2008 JK</b>								
2008264-1	Standard	3.21	2005015-5	2005961	-(9)	2005962	2006481-2	2006481-1
2008264-2	Standard	4.10	2005027-5	2005974	2010999	2005962	2006481-2	2006481-1
2008756	Standard	3.73	2005021-5	2005974	2010999	2005962	2006481-2	2006481-1
2008757	Standard	3.73	2005021-5	2005974	2010999	2005962	2006481-2	2006481-1
2010361-1	Standard	3.73	2005021-5	2005974	2010999	2005962	2006481-2	2006481-1
2011929-1	Standard	3.21	2005015-5	2005961	-(9)	2005962	2006481-2	2006481-1
2011939-1	Standard	3.21	2005015-5	2005961	-(9)	2005962	2006481-2	2006481-1
2011940-1	Standard	3.73	2005021-5	2005974	2010999	2005962	2006481-2	2006481-1
2011941-1	Standard	3.73	2005021-5	2005974	2010999	2005962	2006481-2	2006481-1
2012135-1	Standard	3.73	2005021-5	2005974	2010999	2005962	2006481-2	2006481-1
<b>2008-09 JK</b>								
2010360-1	Standard	3.21	2005015-5	2005961	-(9)	2005962	2006481-2	2006481-1
<b>2009 JK</b>								
2010362-1	Standard	3.21	2005015-5	2005961	-(9)	2005962	2006481-2	2006481-1
2010363-1	Standard	3.73	2005021-5	2005974	2010999	2005962	2006481-2	2006481-1
2012133-1	Standard	3.21	2005015-5	2005961	-(9)	2005962	2006481-2	2006481-1
2012134-1	Standard	3.21	2005015-5	2005961	-(9)	2005962	2006481-2	2006481-1
2012136-1	Standard	3.73	2005021-5	2005974	2010999	2005962	2006481-2	2006481-1
<b>2010-11 JK</b>								
2013388-1	Standard	3.21	2005015-5	2005961	-(9)	2005962	2006481-2	2006481-1
2013388-2	Standard	3.73	2005021-5	2005974	2010999	2005962	2006481-2	2006481-1
2013389-1	Standard	3.21	2005015-5	2005961	-(9)	2005962	2006481-2	2006481-1
2013389-2	Standard	3.73	2005021-5	2005974	2010999	2005962	2006481-2	2006481-1
<b>2011 JK</b>								
2015183-1	Standard	3.21	2005015-5	2005961	-(9)	2005962	2006481-2	2006481-1
2015183-2	Standard	3.73	2005021-5	2005974	2010999	2005962	2006481-2	2006481-1
2015184-1	Standard	3.21	2005015-5	2005961	-(9)	2005962	2006481-2	2006481-1
2015184-2	Standard	3.73	2005021-5	2005974	2010999	2005962	2006481-2	2006481-1

(7) See Ring Gear &amp; Pinion Kits in XGI Catalog for ratio &amp; tooth combinations.

(8) See Differential Case Assy Kits in XGI Catalog for spline data &amp; ratios.

(9) Serviced with complete differential case assembly kit only.

# Jeep Super 30 /186 Front (JK & WJ) Bill of Material Table

Axle			Axle Kits				Shaft & Joint Assy.	
Bill of Material	Diff. Type	Ratio	Ring Gear & Pinion Kit <sup>(7)</sup>	Differential			Right Hand Shaft Assy.	Left Hand Shaft Assy.
				Case Assy. Kit <sup>(8)</sup>	Case Kit	Inner Parts Kit		
<b>2012 JK</b>								
2015394-1	Standard	3.21	2005015-5	2005961	-(9)	2005962	2014616-2	2014616-1
2015394-2	Standard	3.73	2005021-5	2005974	2010999	2005962	2014616-2	2014616-1
2015395-1	Standard	3.21	2005015-5	2005961	-(9)	2005962	2014616-2	2014616-1
2015395-2	Standard	3.73	2005021-5	2005974	2010999	2005962	2014616-2	2014616-1
<b>2012-14 JK</b>								
2018180-1	Standard	3.21	2005015-5	2005961	-(9)	2005962	2014616-2	2014616-1
2018180-2	Standard	3.73	2005021-5	2005961	2010999	2005962	2014616-2	2014616-1
2018181-1	Standard	3.21	2005015-5	2005961	-(9)	2005962	2014616-2	2014616-1
2018181-2	Standard	3.73	2005021-5	2005974	2010999	2005962	2014616-2	2014616-1
<b>2014-15 JK LHD</b>								
10021545	Standard	3.21	2005015-5	2005961	-(9)	2005962	2014616-2	2014616-1
10021546	Standard	3.73	2005021-5	2005974	2010999	2005962	2014616-2	2014616-1
<b>2014-15 JK RHD</b>								
10021548	Standard	3.21	2005015-5	2005961	-(9)	2005962	2014616-2	2014616-1
10021549	Standard	3.73	2005021-5	2005974	2010999	2005962	2014616-2	2014616-1
<b>2016 JK LHD</b>								
10029496	Standard	3.21	2005015-5	2005961	-(9)	2005962	2014616-2	2014616-1
10029497	Standard	3.73	2005021-5	2005974	-(9)	2005962	2014616-2	2014616-1
<b>2016 JK RHD</b>								
10029500	Standard	3.21	2005015-5	2005961	-(9)	2005962	2014616-2	2014616-1
10029501	Standard	3.73	2005021-5	2005974	-(9)	2005962	2014616-2	2014616-1

(7) See Ring Gear & Pinion Kits in XGI Catalog for ratio & tooth combinations.

(8) See Differential Case Assy Kits in XGI Catalog for spline data & ratios.

(9) Serviced with complete differential case assembly kit only.

# Jeep Super 30 /186 Front (JK & WJ)

## Variable Parts Listing

Kits & Parts - Use With All Applications							
Description & Item Number (Refer to "Exploded View" at the front of this section)			Bills of Material				
			10021545	10021546	10021548	10021549	10029496
1	Slinger - Variable Thicknesses	3	41214 (5)	41214 (5)	41214 (5)	41214 (5)	41214 (5)
2	Bearing Installation Kit	-	2017366	2017366	2017366	2017366	2017366
3	Master Overhaul Kit	-	2017378	2017378	2017378	2017378	2017378
4	KIT - Inner Pinion Bearing	4	707064X	707064X	707064X	707064X	707064X
5	Baffle - Pinion Oil	5	48741-3	48741-3	48741-3	48741-3	48741-3
6	Collapsible Spacer	6	10009299	10009299	10009299	10009299	10009299
7	KIT - Outer Pinion Bearing	7	706015X	706015X	706015X	706015X	706015X
8	Slinger	8	2005565	2005565	2005565	2005565	2005565
9	Seal - Pinion Oil	9	2004670	2004670	2004670	2004670	2004670
10	Oil Seal	10	-	-	-	-	-
11	End Yoke/Companion Flange Assy	11	2005008	2005008	2005008	2005008	2005008
12	Pinion Nut	13	44189	44189	44189	44189	44189
13	KIT - Carrier Cover	-	2007353	2007353	2007353	2007353	2007353
14	Carrier Cover	14	2004631-2	2004631-2	2004631-2	2004631-2	2004631-2
15	Plug - Carrier Cover	15	43180	43180	43180	43180	43180
16	Pinion - Differential (std)	25	2005215	2005215	2005215	2005215	2005215
17	Gear - Differential (std)	26	46502	46502	46502	46502	46502
18	Thrustwasher - Diff Pinion (std)	27	2005202	2005202	2005202	2005202	2005202
19	Thrustwasher - Diff Gear (std)	28	50119	50119	50119	50119	50119
20	Guide Tube	31	2005601	2005601	2005601	2005601	2005601
21	Oil Seal	32	2013455	2013455	2013455	2013455	2013455
22	KIT - Socket Assembly	-	2007354	2007354	2007354	2007354	2007354
23	Socket Assembly (upper)	33	2005838	2005838	2005838	2005838	2005838
24	Socket Assembly (lower)	35	2011892	2011892	2011892	2011892	2011892
25	Bolt - Knuckle	38	2016794	2016794	2016794	2016794	2016794
26	Dust Slinger	40	51707	51707	51707	51707	51707
27	Washer - Flat	44	-	-	-	-	-
28	Hex Nut	45	2008564	2008564	2008564	2008564	2008564
29	Washer - Spring Wave	46	-	-	-	-	-
30	Retainer Nut	47	-	-	-	-	-
31	Cotter Pin	48	-	-	-	-	-

(3) Contact Vehicle Manufacturer

(5) See shim table in the back of this catalog



# Jeep Super 30 /186 Front (JK & WJ) Variable Parts Listing

Kits & Parts - Use With All Applications							
	Description & Item Number (Refer to "Exploded View" at the front of this section)		Bills of Material				
			10029496AE	10029497	10029500	10029501	2001194
1	Slinger - Variable Thicknesses	3	41214 (5)	41214 (5)	41214 (5)	41214 (5)	-
2	Bearing Installation Kit	-	2017366	2017366	2017366	2017366	-
3	Master Overhaul Kit	-	2017378	2017378	2017378	2017378	-
4	KIT - Inner Pinion Bearing	4	707064X	707064X	707064X	707064X	-
5	Baffle - Pinion Oil	5	48741-3	48741-3	48741-3	48741-3	-
6	Collapsible Spacer	6	10009299	10009299	10009299	10009299	-
7	KIT - Outer Pinion Bearing	7	706015X	706015X	706015X	706015X	-
8	Slinger	8	2005565	2005565	2005565	2005565	-
9	Seal - Pinion Oil	9	2004670	2004670	2004670	2004670	-
10	Oil Seal	10	-	-	-	-	-
11	End Yoke/Companion Flange Assy	11	2005008	2005008	2005008	2005008	-
12	Pinion Nut	13	44189	44189	44189	44189	-
13	KIT - Carrier Cover	-	2007353	2007353	2007353	2007353	-
14	Carrier Cover	14	2004631-2	2004631-2	2004631-2	2004631-2	-
15	Plug - Carrier Cover	15	43180	43180	43180	43180	43181
16	Pinion - Differential (std)	25	2005215	2005215	2005215	2005215	-
17	Gear - Differential (std)	26	46502	46502	46502	46502	-
18	Thrustwasher - Diff Pinion (std)	27	2005202	2005202	2005202	2005202	-
19	Thrustwasher - Diff Gear (std)	28	50119	50119	50119	50119	-
20	Guide Tube	31	2005601	2005601	2005601	2005601	-
21	Oil Seal	32	2013455	2013455	2013455	2013455	-
22	KIT - Socket Assembly	-	2007354	2007354	2007354	2007354	707488X
23	Socket Assembly (upper)	33	2005838	2005838	2005838	2005838	70916
24	Socket Assembly (lower)	35	2011892	2011892	2011892	2011892	48715
25	Bolt - Knuckle	38	2016794	2016794	2016794	2016794	47827
26	Dust Slinger	40	51707	51707	51707	51707	-
27	Washer - Flat	44	-	-	-	-	40596
28	Hex Nut	45	2008564	2008564	2008564	2008564	40597
29	Washer - Spring Wave	46	-	-	-	-	45749
30	Retainer Nut	47	-	-	-	-	40598
31	Cotter Pin	48	-	-	-	-	500025-10

(3) Contact Vehicle Manufacturer

(5) See shim table in the back of this catalog



# Jeep Super 30 /186 Front (JK & WJ)

## Variable Parts Listing

Kits & Parts - Use With All Applications							
Description & Item Number (Refer to "Exploded View" at the front of this section)			Bills of Material				
			2001195	2001196	2001197	2001198	2001199
1	Slinger - Variable Thicknesses	3	49634(5)	49634(5)	49634(5)	49634(5)	49634(5)
2	Bearing Installation Kit	-	2017368	2017368	2017368	2017368	2017368
3	Master Overhaul Kit	-	2017379	2017379	2017379	2017379	2017379
4	KIT - Inner Pinion Bearing	4	706015X	706015X	706015X	706015X	706015X
5	Baffle - Pinion Oil	5	-	-	-	-	-
6	Collapsible Spacer	6	50576	50576	50576	50576	50576
7	KIT - Outer Pinion Bearing	7	706894X	706894X	706894X	706894X	706894X
8	Slinger	8	13575	13575	13575	13575	13575
9	Seal - Pinion Oil	9	50531	50531	50531	50531	50531
10	Oil Seal	10	47762	47762	47762	47762	47762
11	End Yoke/Companion Flange Assy	11	2-4-8571-1(3)	2-4-8571-1(3)	2-4-8571-1(3)	52917	52917
12	Pinion Nut	13	50560	50560	50560	50560	50560
13	KIT - Carrier Cover	-	707486X	707486X	707486X	707486X	707486X
14	Carrier Cover	14	47832-1	47832-1	47832-1	47832-1	47832-1
15	Plug - Carrier Cover	15	43181	43181	43181	43181	43181
16	Pinion - Differential (std)	25	46504	46504	-	46504	-
17	Gear - Differential (std)	26	46502	46502	-	46502	-
18	Thrustwasher - Diff Pinion (std)	27	34096	34096	-	34096	-
19	Thrustwasher - Diff Gear (std)	28	40027	40027	-	40027	-
20	Guide Tube	31	-	-	-	-	-
21	Oil Seal	32	46470	46470	46470	46470	46470
22	KIT - Socket Assembly	-	707488X	707488X	707488X	707488X	707488X
23	Socket Assembly (upper)	33	40916	40916	40916	40916	40916
24	Socket Assembly (lower)	35	48715	48715	48715	48715	48715
25	Bolt - Knuckle	38	47827	47827	47827	47827	47827
26	Dust Slinger	40	-	-	-	-	-
27	Washer - Flat	44	40596	40596	40596	40596	40596
28	Hex Nut	45	40597	40597	40597	40597	40597
29	Washer - Spring Wave	46	45749	45749	45749	45749	45749
30	Retainer Nut	47	40598	40598	40598	40598	40598
31	Cotter Pin	48	500025-10	500025-10	500025-10	500025-10	500025-10

(3) Contact Vehicle Manufacturer

(5) See shim table in the back of this catalog



# Jeep Super 30 /186 Front (JK & WJ) Variable Parts Listing

Kits & Parts - Use With All Applications							
Description & Item Number (Refer to "Exploded View" at the front of this section)			Bills of Material				
			2001200	2001201	2001202	2001203	2001204
1	Slinger - Variable Thicknesses	3	49634(5)	49634(5)	49634(5)	49634(5)	49634(5)
2	Bearing Installation Kit	-	2017368	2017368	2017368	2017368	2017368
3	Master Overhaul Kit	-	2017379	2017379	2017379	2017379	2017379
4	KIT - Inner Pinion Bearing	4	706015X	706015X	706015X	706015X	706015X
5	Baffle - Pinion Oil	5	-	-	-	-	-
6	Collapsible Spacer	6	50576	50576	50576	50576	50576
7	KIT - Outer Pinion Bearing	7	706894X	706894X	706894X	706894X	706894X
8	Slinger	8	13575	13575	13575	13575	13575
9	Seal - Pinion Oil	9	50531	50531	50531	50531	50531
10	Oil Seal	10	47762	47762	47762	47762	47762
11	End Yoke/Companion Flange Assy	11	52917	52917	52917	52917	52917
12	Pinion Nut	13	50560	50560	50560	50560	50560
13	KIT - Carrier Cover	-	707486X	707486X	707486X	707486X	707486X
14	Carrier Cover	14	47832-1	47832-1	47832-1	47832-1	47832-1
15	Plug - Carrier Cover	15	43181	43181	43181	43181	43181
16	Pinion - Differential (std)	25	46504	-	46504	-	46504
17	Gear - Differential (std)	26	46502	-	46502	-	46502
18	Thrustwasher - Diff Pinion (std)	27	34096	-	34096	-	34096
19	Thrustwasher - Diff Gear (std)	28	40027	-	40027	-	40027
20	Guide Tube	31	-	-	-	-	-
21	Oil Seal	32	46470	46470	46470	46470	46470
22	KIT - Socket Assembly	-	707488X	707488X	707488X	707488X	707488X
23	Socket Assembly (upper)	33	40916	40584	40916	40584	40916
24	Socket Assembly (lower)	35	48715	48715	48715	48715	48715
25	Bolt - Knuckle	38	47827	47827	47827	47827	47827
26	Dust Slinger	40	-	-	-	-	-
27	Washer - Flat	44	40596	40596	40596	40596	40596
28	Hex Nut	45	40597	40597	40597	40597	40597
29	Washer - Spring Wave	46	45749	45749	45749	45749	45749
30	Retainer Nut	47	40598	40598	40598	40598	40598
31	Cotter Pin	48	500025-10	500025-10	500025-10	500025-10	500025-10

(3) Contact Vehicle Manufacturer

(5) See shim table in the back of this catalog

# Jeep Super 30 /186 Front (JK & WJ)

## Variable Parts Listing

Kits & Parts - Use With All Applications							
Description & Item Number (Refer to "Exploded View" at the front of this section)			Bills of Material				
			2001205	2001246	2001247	2005185	2005186
1	Slinger - Variable Thicknesses	3	49634(5)	49634(5)	49634(5)	41214(5)	41214(5)
2	Bearing Installation Kit	-	2017368	2017368	2017368	2017366	2017366
3	Master Overhaul Kit	-	2017379	2017379	2017379	2017378	2017378
4	KIT - Inner Pinion Bearing	4	706015X	706015X	706015X	707064X	707064X
5	Baffle - Pinion Oil	5	-	-	-	48741-3	48741-3
6	Collapsible Spacer	6	50576	50576	50576	50614	50614
7	KIT - Outer Pinion Bearing	7	706894X	706894X	706894X	706015X	706015X
8	Slinger	8	13575	13575	13575	42778	42778
9	Seal - Pinion Oil	9	50531	50531	50531	2004670	2004670
10	Oil Seal	10	47762	47762	47762	-	-
11	End Yoke/Companion Flange Assy	11	52917	2-4-8571-1(3)	2-4-8571-1(3)	2005008	2005008
12	Pinion Nut	13	50560	50560	50560	44189	44189
13	KIT - Carrier Cover	-	707486X	707486X	707486X	707274X	707274X
14	Carrier Cover	14	47832-1	47832-1	47832-1	40869-1	40869-1
15	Plug - Carrier Cover	15	43181	43181	43181	43181	43181
16	Pinion - Differential (std)	25	-	46504	-	2005215	2005215
17	Gear - Differential (std)	26	-	46502	-	46502	46502
18	Thrustwasher - Diff Pinion (std)	27	-	34096	-	2005202	2005202
19	Thrustwasher - Diff Gear (std)	28	-	40027	-	50119	50119
20	Guide Tube	31	-	-	-	2003626	2003626
21	Oil Seal	32	46470	46470	46470	46470	46470
22	KIT - Socket Assembly	-	707488X	707488X	707488X	2007354	2007354
23	Socket Assembly (upper)	33	40916	40916	40916	2005838	2005838
24	Socket Assembly (lower)	35	48715	48715	48715	2011892	2011892
25	Bolt - Knuckle	38	47827	47827	47827	47827	47827
26	Dust Slinger	40	-	-	-	51707	51707
27	Washer - Flat	44	40596	40596	40596	-	-
28	Hex Nut	45	40597	40597	40597	2002954	2002954
29	Washer - Spring Wave	46	45749	45749	45749	-	-
30	Retainer Nut	47	40598	40598	40598	-	-
31	Cotter Pin	48	500025-10	500025-10	500025-10	-	-

(3) Contact Vehicle Manufacturer

(5) See shim table in the back of this catalog



# Jeep Super 30 /186 Front (JK & WJ) Variable Parts Listing

Kits & Parts - Use With All Applications							
Description & Item Number (Refer to "Exploded View" at the front of this section)			Bills of Material				
			2006770	2006773	2007652	2007653	2008264
1	Slinger - Variable Thicknesses	3	41214(5)	41241(5)	41214(5)	41214(5)	41214(5)
2	Bearing Installation Kit	-	2017366	2017366	2017366	2017366	2017366
3	Master Overhaul Kit	-	2017378	2017378	2017378	2017378	2017378
4	KIT - Inner Pinion Bearing	4	707064X	707064X	707064X	707064X	707064X
5	Baffle - Pinion Oil	5	48741-3	48741-3	48741-3	48741-3	48741-3
6	Collapsible Spacer	6	50614	50614	50614	50614	50614
7	KIT - Outer Pinion Bearing	7	706015X	706015X	706015X	706015X	706015X
8	Slinger	8	2005565	2005565	2005565	2005565	2005565
9	Seal - Pinion Oil	9	2004670	2004670	2004670	2004670	2004670
10	Oil Seal	10	-	-	-	-	-
11	End Yoke/Companion Flange Assy	11	2005008	2005008	2005008	2005008	2005008
12	Pinion Nut	13	44189	44189	44189	44189	44189
13	KIT - Carrier Cover	-	2007353	2007353	2007353	2007353	2007353
14	Carrier Cover	14	2004631-2	2004631-2	2004631-2	2004631-2	2004631-2
15	Plug - Carrier Cover	15	43181	43181	43181	43181	43181
16	Pinion - Differential (std)	25	2005215	2005215	2005215	2005215	2005215
17	Gear - Differential (std)	26	46502	46502	46502	46502	46502
18	Thrustwasher - Diff Pinion (std)	27	2005202	2005202	2005202	2005202	2005202
19	Thrustwasher - Diff Gear (std)	28	50119	50119	50119	50119	50119
20	Guide Tube	31	2005601	2005601	2005601	2005601	2005601
21	Oil Seal	32	54381	54381	54381	54381	54381
22	KIT - Socket Assembly	-	2007354	2007354	2007354	2007354	2007354
23	Socket Assembly (upper)	33	2005838	2005838	2005838	2005838	2005838
24	Socket Assembly (lower)	35	2011892	2011892	2011892	2011892	2011892
25	Bolt - Knuckle	38	47827	47827	47827	47827	47827
26	Dust Slinger	40	51707	51707	-	51707	-
27	Washer - Flat	44	-	-	-	-	-
28	Hex Nut	45	2002954	2002954	2002954	2002954	2002954
29	Washer - Spring Wave	46	-	-	-	-	-
30	Retainer Nut	47	-	-	-	-	-
31	Cotter Pin	48	-	-	-	-	-

(3) Contact Vehicle Manufacturer

(5) See shim table in the back of this catalog

# Jeep Super 30 /186 Front (JK & WJ)

## Variable Parts Listing

Kits & Parts - Use With All Applications							
Description & Item Number (Refer to "Exploded View" at the front of this section)			Bills of Material				
			2008756	2008757	2010360	2010361	2010362
1	Slinger - Variable Thicknesses	3	41214(5)	41214(5)	41214(5)	41214(5)	41214(5)
2	Bearing Installation Kit	-	2017366	2017366	2017366	2017366	2017366
3	Master Overhaul Kit	-	2017378	2017378	2017378	2017378	2017378
4	KIT - Inner Pinion Bearing	4	707064X	707064X	707064X	707064X	707064X
5	Baffle - Pinion Oil	5	48741-3	48741-3	48741-3	48741-3	48741-3
6	Collapsible Spacer	6	50614	50614	50614	50614	50614
7	KIT - Outer Pinion Bearing	7	706015X	706015X	706015X	706015X	706015X
8	Slinger	8	2005565	2005565	2005565	2005565	2005565
9	Seal - Pinion Oil	9	2004670	2004670	2004670	2004670	2004670
10	Oil Seal	10	-	-	-	-	-
11	End Yoke/Companion Flange Assy	11	2005008	2005008	2005008	2005008	2005008
12	Pinion Nut	13	44189	44189	44189	44189	44189
13	KIT - Carrier Cover	-	2007353	2007353	2007353	2007353	2007353
14	Carrier Cover	14	2004631-2	2004631-2	2004631-2	2004631-2	2004631-2
15	Plug - Carrier Cover	15	43181	43181	43181	43181	43181
16	Pinion - Differential (std)	25	2005215	2005215	2005215	2005215	2005215
17	Gear - Differential (std)	26	46502	46502	46502	46502	46502
18	Thrustwasher - Diff Pinion (std)	27	2005202	2005202	2005202	2005202	2005202
19	Thrustwasher - Diff Gear (std)	28	50119	50119	50119	50119	50119
20	Guide Tube	31	2005601	2005601	2005601	2005601	2005601
21	Oil Seal	32	54381	54381	54381	54381	54381
22	KIT - Socket Assembly	-	2007354	2007354	2007354	2007354	2007354
23	Socket Assembly (upper)	33	2005838	2005838	2005838	2005838	2005838
24	Socket Assembly (lower)	35	2011892	2011892	2011892	2011892	2011892
25	Bolt - Knuckle	38	47827	47827	47827	47827	47827
26	Dust Slinger	40	51707	51707	51707	51707	51707
27	Washer - Flat	44	-	-	-	-	-
28	Hex Nut	45	2002954	2002954	2002954	2002954	2002954
29	Washer - Spring Wave	46	-	-	-	-	-
30	Retainer Nut	47	-	-	-	-	-
31	Cotter Pin	48	-	-	-	-	-

(3) Contact Vehicle Manufacturer

(5) See shim table in the back of this catalog



# Jeep Super 30 /186 Front (JK & WJ) Variable Parts Listing

Kits & Parts - Use With All Applications							
Description & Item Number (Refer to "Exploded View" at the front of this section)			Bills of Material				
			2010363	2011929	2011939	2011940	2011941
1	Slinger - Variable Thicknesses	3	41214(5)	41214(5)	41214(5)	41214(5)	41214(5)
2	Bearing Installation Kit	-	2017366	2017366	2017366	2017366	2017366
3	Master Overhaul Kit	-	2017378	2017378	2017378	2017378	2017378
4	KIT - Inner Pinion Bearing	4	707064X	707064X	707064X	707064X	707064X
5	Baffle - Pinion Oil	5	48741-3	48741-3	48741-3	48741-3	48741-3
6	Collapsible Spacer	6	50614	50614	50614	50614	50614
7	KIT - Outer Pinion Bearing	7	706015X	706015X	706015X	706015X	706015X
8	Slinger	8	2005565	2005565	2005565	2005565	2005565
9	Seal - Pinion Oil	9	2004670	2004670	2004670	2004670	2004670
10	Oil Seal	10	-	-	-	-	-
11	End Yoke/Companion Flange Assy	11	2005008	2005008	2005008	2005008	2005008
12	Pinion Nut	13	44189	44189	44189	44189	44189
13	KIT - Carrier Cover	-	2007353	2007353	2007353	2007353	2007353
14	Carrier Cover	14	2004631-2	2004631-2	2004631-2	2004631-2	2004631-2
15	Plug - Carrier Cover	15	43181	43181	43181	43181	43181
16	Pinion - Differential (std)	25	2005215	2005215	2005215	2005215	2005215
17	Gear - Differential (std)	26	46502	46502	46502	46502	46502
18	Thrustwasher - Diff Pinion (std)	27	2005202	2005202	2005202	2005202	2005202
19	Thrustwasher - Diff Gear (std)	28	50119	50119	50119	50119	50119
20	Guide Tube	31	2005601	2005601	2005601	2005601	2005601
21	Oil Seal	32	54381	54381	54381	54381	54381
22	KIT - Socket Assembly	-	2007354	2007354	2007354	2007354	2007354
23	Socket Assembly (upper)	33	2005838	2005838	2005838	2005838	2005838
24	Socket Assembly (lower)	35	2011892	2011892	2011892	2011892	2011892
25	Bolt - Knuckle	38	47827	47827	47827	47827	47827
26	Dust Slinger	40	51707	51707	51707	51707	51707
27	Washer - Flat	44	-	-	-	-	-
28	Hex Nut	45	2002954	2002954	2002954	2002954	2002954
29	Washer - Spring Wave	46	-	-	-	-	-
30	Retainer Nut	47	-	-	-	-	-
31	Cotter Pin	48	-	-	-	-	-

(3) Contact Vehicle Manufacturer

(5) See shim table in the back of this catalog

# Jeep Super 30 /186 Front (JK & WJ)

## Variable Parts Listing

Kits & Parts - Use With All Applications							
Description & Item Number (Refer to "Exploded View" at the front of this section)			Bills of Material				
			2012133	2012134	2012135	2012136	2013388
1	Slinger - Variable Thicknesses	3	41214(5)	41214(5)	41214(5)	41214(5)	41214(5)
2	Bearing Installation Kit	-	2017366	2017366	2017366	2017366	2017366
3	Master Overhaul Kit	-	2017378	2017378	2017378	2017378	2017378
4	KIT - Inner Pinion Bearing	4	707064X	707064X	707064X	707064X	707064X
5	Baffle - Pinion Oil	5	48741-3	48741-3	48741-3	48741-3	48741-3
6	Collapsible Spacer	6	50614	50614	50614	50614	50614
7	KIT - Outer Pinion Bearing	7	706015X	706015X	706015X	706015X	706015X
8	Slinger	8	2005565	2005565	2005565	2005565	2005565
9	Seal - Pinion Oil	9	2004670	2004670	2004670	2004670	2004670
10	Oil Seal	10	-	-	-	-	-
11	End Yoke/Companion Flange Assy	11	2005008	2005008	2005008	2005008	2005008
12	Pinion Nut	13	44189	44189	44189	44189	44189
13	KIT - Carrier Cover	-	2007353	2007353	2007353	2007353	2007353
14	Carrier Cover	14	2004631-2	2004631-2	2004631-2	2004631-2	2004631-2
15	Plug - Carrier Cover	15	43181	43181	43181	43181	43181
16	Pinion - Differential (std)	25	2005215	2005215	2005215	2005215	2005215
17	Gear - Differential (std)	26	46502	46502	46502	46502	46502
18	Thrustwasher - Diff Pinion (std)	27	2005202	2005202	2005202	2005202	2005202
19	Thrustwasher - Diff Gear (std)	28	50119	50119	50119	50119	50119
20	Guide Tube	31	2005601	2005601	2005601	2005601	2005601
21	Oil Seal	32	54381	54381	54381	54381	54381
22	KIT - Socket Assembly	-	2007354	2007354	2007354	2007354	2007354
23	Socket Assembly (upper)	33	2005838	2005838	2005838	2005838	2005838
24	Socket Assembly (lower)	35	2011892	2011892	2011892	2011892	2011892
25	Bolt - Knuckle	38	47827	47827	47827	47827	47827
26	Dust Slinger	40	51707	51707	51707	51707	51707
27	Washer - Flat	44	-	-	-	-	-
28	Hex Nut	45	2002954	2002954	2002954	2002954	2002954
29	Washer - Spring Wave	46	-	-	-	-	-
30	Retainer Nut	47	-	-	-	-	-
31	Cotter Pin	48	-	-	-	-	-

(3) Contact Vehicle Manufacturer

(5) See shim table in the back of this catalog



# Jeep Super 30 /186 Front (JK & WJ) Variable Parts Listing

Kits & Parts - Use With All Applications							
Description & Item Number (Refer to "Exploded View" at the front of this section)			Bills of Material				
			2013389	2015183	2015184	2015394	2015395
1	Slinger - Variable Thicknesses	3	41214(5)	41214(5)	41214(5)	41214(5)	41214(5)
2	Bearing Installation Kit	-	2017366	2017366	2017366	2017366	2017366
3	Master Overhaul Kit	-	2017378	2017378	2017378	2017378	2017378
4	KIT - Inner Pinion Bearing	4	707064X	707064X	707064X	707064X	707064X
5	Baffle - Pinion Oil	5	48741-3	48741-3	48741-3	48741-3	48741-3
6	Collapsible Spacer	6	50614	50614	50614	50614	50614
7	KIT - Outer Pinion Bearing	7	706015X	706015X	706015X	706015X	706015X
8	Slinger	8	2005565	2005565	2005565	2005565	2005565
9	Seal - Pinion Oil	9	2004670	2004670	2004670	2004670	2004670
10	Oil Seal	10	-	-	-	-	-
11	End Yoke/Companion Flange Assy	11	2005008	2005008	2005008	2005008	2005008
12	Pinion Nut	13	44189	44189	44189	44189	44189
13	KIT - Carrier Cover	-	2007353	2007353	2007353	2007353	2007353
14	Carrier Cover	14	2004631-2	2004631-2	2004631-2	2004631-2	2004631-2
15	Plug - Carrier Cover	15	43181	43181	43181	43181	43181
16	Pinion - Differential (std)	25	2005215	2005215	2005215	2005215	2005215
17	Gear - Differential (std)	26	46502	46502	46502	46502	46502
18	Thrustwasher - Diff Pinion (std)	27	2005202	2005202	2005202	2005202	2005202
19	Thrustwasher - Diff Gear (std)	28	50119	50119	50119	50119	50119
20	Guide Tube	31	2005601	2005601	2005601	2005601	2005601
21	Oil Seal	32	54381	54381	54381	54381	54381
22	KIT - Socket Assembly	-	2007354	2007354	2007354	2007354	2007354
23	Socket Assembly (upper)	33	2005838	2005838	2005838	2005838	2005838
24	Socket Assembly (lower)	35	2011892	2011892	2011892	2011892	2011892
25	Bolt - Knuckle	38	47827	47827	47827	2016794	2016794
26	Dust Slinger	40	51707	51707	51707	51707	51707
27	Washer - Flat	44	-	-	-	-	-
28	Hex Nut	45	2002954	2002954	2002954	2008564	2008564
29	Washer - Spring Wave	46	-	-	-	-	-
30	Retainer Nut	47	-	-	-	-	-
31	Cotter Pin	48	-	-	-	-	-

(3) Contact Vehicle Manufacturer  
 (5) See shim table in the back of this catalog



# Jeep Super 30 /186 Front (JK & WJ)

## Variable Parts Listing

Kits & Parts - Use With All Applications							
Description & Item Number (Refer to "Exploded View" at the front of this section)			Bills of Material				
			2018180	2018181	610734	610735	610742
1	Slinger - Variable Thicknesses	3	41214(5)	41214(5)	44035 (5)	44035 (5)	44035 (5)
2	Bearing Installation Kit	-	2017366	2017366	2017363	2017363	2017363
3	Master Overhaul Kit	-	2017378	2017378	2017376	2017376	2017376
4	KIT - Inner Pinion Bearing	4	707064X	707064X	706015X	706015X	706015X
5	Baffle - Pinion Oil	5	48741-3	48741-3	-	-	-
6	Collapsible Spacer	6	50614	50614	46194	46194	46194
7	KIT - Outer Pinion Bearing	7	706015X	706015X	706894X	706894X	706894X
8	Slinger	8	2005565	2005565	13575	13575	13575
9	Seal - Pinion Oil	9	2004670	2004670	47761	47761	47761
10	Oil Seal	10	-	-	47762	47762	47762
11	End Yoke/Companion Flange Assy	11	2005008	2005008	2-1-2891 (3)	2-1-2891(3)	2-1-2891(3)
12	Pinion Nut	13	44189	44189	50560	50560	30185
13	KIT - Carrier Cover	-	2007353	2007353	707486X	707486X	707486X
14	Carrier Cover	14	2004631-2	2004631-2	47832-1	47832-1	47832-1
15	Plug - Carrier Cover	15	43181	43181	43181	43181	43181
16	Pinion - Differential (std)	25	2005215	2005215	32926	32926	32926
17	Gear - Differential (std)	26	46502	46502	33213	33213	33213
18	Thrustwasher - Diff Pinion (std)	27	2005202	2005202	34096	34096	34096
19	Thrustwasher - Diff Gear (std)	28	50119	50119	40027	40027	40027
20	Guide Tube	31	2005601	2005601	-	-	-
21	Oil Seal	32	2013455	2013455	46470	46470	46470
22	KIT - Socket Assembly	-	2007354	2007354	707488X	707488X	707488X
23	Socket Assembly (upper)	33	2005838	2005838	40916	40916	40916
24	Socket Assembly (lower)	35	2011892	2011892	48715	48715	48715
25	Bolt - Knuckle	38	2016794	2016794	47827	47827	47827
26	Dust Slinger	40	51707	51707	-	46849	-
27	Washer - Flat	44	-	-	40596	40596	40596
28	Hex Nut	45	2008564	2008564	40597	40597	40597
29	Washer - Spring Wave	46	-	-	45749	45749	45749
30	Retainer Nut	47	-	-	40598	40598	40598
31	Cotter Pin	48	-	-	500025-10	500025-10	500025-10

(3) Contact Vehicle Manufacturer

(5) See shim table in the back of this catalog



# Jeep Super 30 /186 Front (JK & WJ) Variable Parts Listing

Kits & Parts - Use With All Applications							
Description & Item Number (Refer to "Exploded View" at the front of this section)			Bills of Material				
			610862	610863	610864	610865	610866
1	Slinger - Variable Thicknesses	3	49634 (5)	49634 (5)	49634 (5)	49634 (5)	49634 (5)
2	Bearing Installation Kit	-	2017363	2017363	2017363	2017363	2017363
3	Master Overhaul Kit	-	2017376	2017376	2017376	2017376	2017376
4	KIT - Inner Pinion Bearing	4	706015X	706015X	706015X	706015X	706015X
5	Baffle - Pinion Oil	5	-	-	-	-	-
6	Collapsible Spacer	6	46194	46194	46194	46194	46194
7	KIT - Outer Pinion Bearing	7	706894X	706894X	706894X	706894X	706894X
8	Slinger	8	13575	13575	13575	13575	13575
9	Seal - Pinion Oil	9	47761	47761	47761	47761	47761
10	Oil Seal	10	47762	47762	47762	47762	47762
11	End Yoke/Companion Flange Assy	11	2-1-2891(3)	2-1-2891(3)	2-1-2891(3)	2-1-2891(3)	2-1-2891(3)
12	Pinion Nut	13	30185	30185	30185	30185	30185
13	KIT - Carrier Cover	-	707486X	707486X	707486X	707486X	707486X
14	Carrier Cover	14	47832-1	47832-1	47832-1	47832-1	47832-1
15	Plug - Carrier Cover	15	43181	43181	43181	43181	43181
16	Pinion - Differential (std)	25	32926	32926	32926	32926	32926
17	Gear - Differential (std)	26	33213	33213	33213	33213	33213
18	Thrustwasher - Diff Pinion (std)	27	34096	34096	34096	34096	34096
19	Thrustwasher - Diff Gear (std)	28	40027	40027	40027	40027	40027
20	Guide Tube	31	-	-	-	-	-
21	Oil Seal	32	46470	46470	46470	46470	46470
22	KIT - Socket Assembly	-	707488X	707488X	707488X	707488X	707488X
23	Socket Assembly (upper)	33	40916	40916	40916	40916	40916
24	Socket Assembly (lower)	35	48715	48715	48715	48715	48715
25	Bolt - Knuckle	38	47827	47827	47827	47827	47827
26	Dust Slinger	40	-	46849	-	-	-
27	Washer - Flat	44	40596	40596	40596	40596	40596
28	Hex Nut	45	40597	40597	40597	40597	40597
29	Washer - Spring Wave	46	45749	45749	45749	45749	45749
30	Retainer Nut	47	40598	40598	40598	40598	40598
31	Cotter Pin	48	500025-10	500025-10	500025-10	500025-10	500025-10

(3) Contact Vehicle Manufacturer

(5) See shim table in the back of this catalog

# Jeep Super 30 /186 Front (JK & WJ)

## Variable Parts Listing

Kits & Parts - Use With All Applications							
Description & Item Number (Refer to "Exploded View" at the front of this section)			Bills of Material				
			610868	610919	610920	610921	610922
1	Slinger - Variable Thicknesses	3	49634 (5)	49634 (5)	49634 (5)	49634 (5)	49634 (5)
2	Bearing Installation Kit	-	2017363	2017363	2017363	2017363	2017363
3	Master Overhaul Kit	-	2017376	2017376	2017376	2017376	2017376
4	KIT - Inner Pinion Bearing	4	706015X	706015X	706015X	706015X	706015X
5	Baffle - Pinion Oil	5	-	-	-	-	-
6	Collapsible Spacer	6	46194	46194	46194	46194	46194
7	KIT - Outer Pinion Bearing	7	706894X	706894X	706894X	706894X	706894X
8	Slinger	8	13575	13575	13575	13575	13575
9	Seal - Pinion Oil	9	47761	47761	47761	47761	47761
10	Oil Seal	10	47762	47762	47762	47762	47762
11	End Yoke/Companion Flange Assy	11	2-1-2891(3)	2-1-2891(3)	2-1-2891(3)	2-1-2891(3)	2-1-2891(3)
12	Pinion Nut	13	30185	30185	30185	30185	30185
13	KIT - Carrier Cover	-	707486X	707486X	707486X	707486X	707486X
14	Carrier Cover	14	47832-1	47832-1	47832-1	47832-1	47832-1
15	Plug - Carrier Cover	15	43181	43181	43181	43181	43181
16	Pinion - Differential (std)	25	32926	32926	32926	32926	32926
17	Gear - Differential (std)	26	33213	33213	33213	33213	33213
18	Thrustwasher - Diff Pinion (std)	27	34096	34096	34096	34096	34096
19	Thrustwasher - Diff Gear (std)	28	40027	40027	40027	40027	40027
20	Guide Tube	31	-	-	-	-	-
21	Oil Seal	32	46470	46470	46470	46470	46470
22	KIT - Socket Assembly	-	707488X	707488X	707488X	707488X	707488X
23	Socket Assembly (upper)	33	40916	40916	40916	40916	40916
24	Socket Assembly (lower)	35	48715	48715	48715	48715	48715
25	Bolt - Knuckle	38	47827	47827	47827	47827	47827
26	Dust Slinger	40	-	-	-	-	-
27	Washer - Flat	44	40596	40596	40596	40596	40596
28	Hex Nut	45	40597	40597	40597	40597	40597
29	Washer - Spring Wave	46	45749	45749	45749	45749	45749
30	Retainer Nut	47	40598	40598	40598	40598	40598
31	Cotter Pin	48	500025-10	500025-10	500025-10	500025-10	500025-10

(3) Contact Vehicle Manufacturer

(5) See shim table in the back of this catalog



# Jeep Super 30 /186 Front (JK & WJ) Variable Parts Listing

Kits & Parts - Use With All Applications							
Description & Item Number (Refer to "Exploded View" at the front of this section)			Bills of Material				
			610924	610926	610927	610946	610947
1	Slinger - Variable Thicknesses	3	49634 (5)	49634 (5)	49634 (5)	49634 (5)	49634 (5)
2	Bearing Installation Kit	-	2017363	2017363	2017363	2017363	2017363
3	Master Overhaul Kit	-	2017376	2017376	2017376	2017376	2017376
4	KIT - Inner Pinion Bearing	4	706015X	706015X	706015X	706015X	706015X
5	Baffle - Pinion Oil	5	-	-	-	-	-
6	Collapsible Spacer	6	46194	46194	46194	50576	50576
7	KIT - Outer Pinion Bearing	7	706894X	706894X	706894X	706894X	706894X
8	Slinger	8	13575	13575	13575	13575	13575
9	Seal - Pinion Oil	9	47761	47761	47761	47761	47761
10	Oil Seal	10	47762	47762	47762	47762	47762
11	End Yoke/Companion Flange Assy	11	2-1-2891(3)	2-1-2891(3)	2-1-2891(3)	2-1-2891(3)	2-1-2891 (3)
12	Pinion Nut	13	30185	30185	30185	50560	50560
13	KIT - Carrier Cover	-	707486X	707486X	707486X	707486X	707486X
14	Carrier Cover	14	47832-1	47832-1	47832-1	47832-1	47832-1
15	Plug - Carrier Cover	15	43181	43181	43181	43181	43181
16	Pinion - Differential (std)	25	32926	32926	32926	32926	32926
17	Gear - Differential (std)	26	33213	33213	33213	33213	33213
18	Thrustwasher - Diff Pinion (std)	27	34096	34096	34096	34096	34096
19	Thrustwasher - Diff Gear (std)	28	40027	40027	40027	40027	40027
20	Guide Tube	31	-	-	-	-	-
21	Oil Seal	32	46470	46470	46470	46470	46470
22	KIT - Socket Assembly	-	707488X	707488X	707488X	707488X	707488X
23	Socket Assembly (upper)	33	40916	40916	40916	40916	40916
24	Socket Assembly (lower)	35	48715	48715	48715	48715	48715
25	Bolt - Knuckle	38	47827	47827	47827	47827	47827
26	Dust Slinger	40	-	-	-	-	-
27	Washer - Flat	44	40596	40596	40596	40596	40596
28	Hex Nut	45	40597	40597	40597	40597	40597
29	Washer - Spring Wave	46	45749	45749	45749	45749	45749
30	Retainer Nut	47	40598	40598	40598	40598	40598
31	Cotter Pin	48	500025-10	500025-10	500025-10	500025-10	500025-10

(3) Contact Vehicle Manufacturer

(5) See shim table in the back of this catalog

# Jeep Super 30 /186 Front (JK & WJ)

## Variable Parts Listing

Kits & Parts - Use With All Applications							
Description & Item Number (Refer to "Exploded View" at the front of this section)			Bills of Material				
			610948	610949	610951	610952	610953
1	Slinger - Variable Thicknesses	3	49634 (5)	49634 (5)	49634 (5)	49634 (5)	49634 (5)
2	Bearing Installation Kit	-	2017363	2017363	2017363	2017363	2017363
3	Master Overhaul Kit	-	2017376	2017376	2017376	2017376	2017376
4	KIT - Inner Pinion Bearing	4	706015X	706015X	706015X	706015X	706015X
5	Baffle - Pinion Oil	5	-	-	-	-	-
6	Collapsible Spacer	6	50576	50576	50576	50576	50576
7	KIT - Outer Pinion Bearing	7	706894X	706894X	706894X	706894X	706894X
8	Slinger	8	13575	13575	13575	13575	13575
9	Seal - Pinion Oil	9	47761	47761	47761	47761	47761
10	Oil Seal	10	47762	47762	47762	47762	47762
11	End Yoke/Companion Flange Assy	11	2-1-2891(3)	2-1-2891(3)	2-1-2891(3)	2-1-2891(3)	2-1-2891(3)
12	Pinion Nut	13	50560	50560	50560	50560	50560
13	KIT - Carrier Cover	-	707486X	707486X	707486X	707486X	707486X
14	Carrier Cover	14	47832-1	47832-1	47832-1	47832-1	47832-1
15	Plug - Carrier Cover	15	43181	43181	43181	43181	43181
16	Pinion - Differential (std)	25	32926	32926	32926	32926	32926
17	Gear - Differential (std)	26	33213	33213	33213	33213	33213
18	Thrustwasher - Diff Pinion (std)	27	34096	34096	34096	34096	34096
19	Thrustwasher - Diff Gear (std)	28	40027	40027	40027	40027	40027
20	Guide Tube	31	-	-	-	-	-
21	Oil Seal	32	46470	46470	46470	46470	46470
22	KIT - Socket Assembly	-	707488X	707488X	707488X	707488X	707488X
23	Socket Assembly (upper)	33	40916	40916	40916	40916	40916
24	Socket Assembly (lower)	35	48715	48715	48715	48715	48715
25	Bolt - Knuckle	38	47827	47827	47827	47827	47827
26	Dust Slinger	40	-	-	-	-	-
27	Washer - Flat	44	40596	40596	40596	40596	40596
28	Hex Nut	45	40597	40597	40597	40597	40597
29	Washer - Spring Wave	46	45749	45749	45749	45749	45749
30	Retainer Nut	47	40598	40598	40598	40598	40598
31	Cotter Pin	48	500025-10	500025-10	500025-10	500025-10	500025-10

(3) Contact Vehicle Manufacturer

(5) See shim table in the back of this catalog



# Jeep Super 30 /186 Front (JK & WJ) Variable Parts Listing

Kits & Parts - Use With All Applications							
Description & Item Number (Refer to "Exploded View" at the front of this section)			Bills of Material				
			611007	611008	611009	611010	611012
1	Slinger - Variable Thicknesses	3	49634 (5)	49634 (5)	49634 (5)	49634 (5)	49634 (5)
2	Bearing Installation Kit	-	2017363	2017363	2017363	2017363	2017363
3	Master Overhaul Kit	-	2017376	2017376	2017376	2017376	2017376
4	KIT - Inner Pinion Bearing	4	706015X	706015X	706015X	706015X	706015X
5	Baffle - Pinion Oil	5	-	-	-	-	-
6	Collapsible Spacer	6	50576	50576	50576	50576	50576
7	KIT - Outer Pinion Bearing	7	706894X	706894X	706894X	706894X	706894X
8	Slinger	8	13575	13575	13575	13575	13575
9	Seal - Pinion Oil	9	47761	47761	47761	47761	47761
10	Oil Seal	10	47762	47762	47762	47762	47762
11	End Yoke/Companion Flange Assy	11	2-1-2891(3)	2-1-2891(3)	2-1-2891(3)	2-1-2891(3)	2-1-2891(3)
12	Pinion Nut	13	50560	50560	50560	50560	50560
13	KIT - Carrier Cover	-	707486X	707486X	707486X	707486X	707486X
14	Carrier Cover	14	47832-1	47832-1	47832-1	47832-1	47832-1
15	Plug - Carrier Cover	15	43181	43181	43181	43181	43181
16	Pinion - Differential (std)	25	32926	32926	32926	32926	32926
17	Gear - Differential (std)	26	33213	33213	33213	33213	33213
18	Thrustwasher - Diff Pinion (std)	27	34096	34096	34096	34096	34096
19	Thrustwasher - Diff Gear (std)	28	40027	40027	40027	40027	40027
20	Guide Tube	31	-	-	-	-	-
21	Oil Seal	32	46470	46470	46470	46470	46470
22	KIT - Socket Assembly	-	707488X	707488X	707488X	707488X	707488X
23	Socket Assembly (upper)	33	40916	40916	40916	40916	40916
24	Socket Assembly (lower)	35	48715	48715	48715	48715	48715
25	Bolt - Knuckle	38	47827	47827	47827	47827	47827
26	Dust Slinger	40	-	-	-	-	-
27	Washer - Flat	44	40596	40596	40596	40596	40596
28	Hex Nut	45	40597	40597	40597	40597	40597
29	Washer - Spring Wave	46	45749	45749	45749	45749	45749
30	Retainer Nut	47	40598	40598	40598	40598	40598
31	Cotter Pin	48	500025-10	500025-10	500025-10	500025-10	500025-10

(3) Contact Vehicle Manufacturer

(5) See shim table in the back of this catalog

# Jeep Super 30 /186 Front (JK & WJ)

## Variable Parts Listing

Kits & Parts - Use With All Applications							
Description & Item Number (Refer to "Exploded View" at the front of this section)			Bills of Material				
			611013	611014	611093	611094	611095
1	Slinger - Variable Thicknesses	3	49634 (5)	49634 (5)	49364(5)	49634 (5)	49634 (5)
2	Bearing Installation Kit	-	2017363	2017363	2017363	2017363	2017363
3	Master Overhaul Kit	-	2017376	2017376	2017376	2017376	2017376
4	KIT - Inner Pinion Bearing	4	706015X	706015X	706015X	706015X	706015X
5	Baffle - Pinion Oil	5	-	-	-	-	-
6	Collapsible Spacer	6	50576	50576	50576	50576	50576
7	KIT - Outer Pinion Bearing	7	706894X	706894X	706894X	706894X	706894X
8	Slinger	8	13575	13575	13575	13575	13575
9	Seal - Pinion Oil	9	47761	47761	47761	47761	47761
10	Oil Seal	10	47762	47762	47762	47762	47762
11	End Yoke/Companion Flange Assy	11	2-1-2891(3)	2-1-2891(3)	2-1-2891(3)	2-1-2891 (3)	2-1-2891 (3)
12	Pinion Nut	13	50560	50560	50560	50560	50560
13	KIT - Carrier Cover	-	707486X	707486X	707486X	707486X	707486X
14	Carrier Cover	14	47832-1	47832-1	47832-1	47832-1	47832-1
15	Plug - Carrier Cover	15	43181	43181	43181	43181	43181
16	Pinion - Differential (std)	25	32926	32926	32926	32926	32926
17	Gear - Differential (std)	26	33213	33213	33213	33213	33213
18	Thrustwasher - Diff Pinion (std)	27	34096	34096	34096	34096	34096
19	Thrustwasher - Diff Gear (std)	28	40027	40027	40027	40027	40027
20	Guide Tube	31	-	-	-	-	-
21	Oil Seal	32	46470	46470	46470	46470	46470
22	KIT - Socket Assembly	-	707488X	707488X	707488X	707488X	707488X
23	Socket Assembly (upper)	33	40916	40916	40916	40916	40916
24	Socket Assembly (lower)	35	48715	48715	48715	48715	48715
25	Bolt - Knuckle	38	47827	47827	47827	47827	47827
26	Dust Slinger	40	-	-	-	-	-
27	Washer - Flat	44	40596	40596	40596	40596	40596
28	Hex Nut	45	40597	40597	40597	40597	40597
29	Washer - Spring Wave	46	45749	45749	45749	45749	45749
30	Retainer Nut	47	40598	40598	40598	40598	40598
31	Cotter Pin	48	500025-10	500025-10	500025-10	500025-10	500025-10

(3) Contact Vehicle Manufacturer

(5) See shim table in the back of this catalog



# Jeep Super 30 /186 Front (JK & WJ) Variable Parts Listing

Kits & Parts - Use With All Applications							
	Description & Item Number (Refer to "Exploded View" at the front of this section)		Bills of Material				
			611096	611097	611098	611099	611100
1	Slinger - Variable Thicknesses	3	49634 (5)	-	49634 (5)	49634 (5)	49634 (5)
2	Bearing Installation Kit	-	2017363	-	2017363	2017363	2017363
3	Master Overhaul Kit	-	2017376	-	2017376	2017376	2017376
4	KIT - Inner Pinion Bearing	4	706015X	-	706015X	706015X	706015X
5	Baffle - Pinion Oil	5	-	-	-	-	-
6	Collapsible Spacer	6	50576	-	50576	50576	50576
7	KIT - Outer Pinion Bearing	7	706894X	-	706894X	706894X	706894X
8	Slinger	8	13575	-	13575	13575	13575
9	Seal - Pinion Oil	9	47761	-	47761	47761	47761
10	Oil Seal	10	47762	-	47762	47762	47762
11	End Yoke/Companion Flange Assy	11	2-1-2891 (3)	-	2-1-2891 (3)	2-1-2891 (3)	2-1-2891 (3)
12	Pinion Nut	13	50560	-	50560	50560	50560
13	KIT - Carrier Cover	-	707486X	-	707486X	707486X	707486X
14	Carrier Cover	14	47832-1	-	47832-1	47832-1	47832-1
15	Plug - Carrier Cover	15	43181	43181	43181	43181	43181
16	Pinion - Differential (std)	25	32926	32926	32926	32926	32926
17	Gear - Differential (std)	26	33213	33213	33213	33213	33213
18	Thrustwasher - Diff Pinion (std)	27	34096	34096	34096	34096	34096
19	Thrustwasher - Diff Gear (std)	28	40027	40027	40027	40027	40027
20	Guide Tube	31	-	-	-	-	-
21	Oil Seal	32	46470	46470	46470	46470	46470
22	KIT - Socket Assembly	-	707488X	707488X	707488X	707488X	707488X
23	Socket Assembly (upper)	33	40916	40916	40916	40916	40916
24	Socket Assembly (lower)	35	48715	48715	48715	48715	48715
25	Bolt - Knuckle	38	47827	47827	47827	47827	47827
26	Dust Slinger	40	-	-	-	-	-
27	Washer - Flat	44	40596	40596	40596	40596	40596
28	Hex Nut	45	40597	40597	40597	40597	40597
29	Washer - Spring Wave	46	45749	45749	45749	45749	45749
30	Retainer Nut	47	40598	40598	40598	40598	40598
31	Cotter Pin	48	500025-10	500025-10	500025-10	500025-10	500025-10

(3) Contact Vehicle Manufacturer

(5) See shim table in the back of this catalog



# Jeep Super 30 /186 Front (JK & WJ)

## Variable Parts Listing

Kits & Parts - Use With All Applications							
Description & Item Number (Refer to "Exploded View" at the front of this section)			Bills of Material				
			611117	611118	611119	611120	611121
1	Slinger - Variable Thicknesses	3	49634 (5)	49634 (5)	49634 (5)	49634 (5)	49634 (5)
2	Bearing Installation Kit	-	2017368	2017368	2017368	2017368	2017368
3	Master Overhaul Kit	-	2017379	2017379	2017379	2017379	2017379
4	KIT - Inner Pinion Bearing	4	706015X	706015X	706015X	706015X	706015X
5	Baffle - Pinion Oil	5	-	-	-	-	-
6	Collapsible Spacer	6	50576	50576	50576	50576	50576
7	KIT - Outer Pinion Bearing	7	706894X	706894X	706894X	706894X	706894X
8	Slinger	8	13575	13575	13575	13575	13575
9	Seal - Pinion Oil	9	50531	50531	50531	50531	50531
10	Oil Seal	10	47762	47762	47762	47762	47762
11	End Yoke/Companion Flange Assy	11	2-4-8571-1(3)	2-4-8571-1(3)	2-1-2891(3)	2-1-2891 (3)	2-1-289
12	Pinion Nut	13	50560	50560	50560	50560	50560
13	KIT - Carrier Cover	-	707486X	707486X	707486X	707486X	707486X
14	Carrier Cover	14	47832-1	47832-1	47832-1	47832-1	47832-1
15	Plug - Carrier Cover	15	43181	43181	43181	43181	43181
16	Pinion - Differential (std)	25	32926	32926	32926	32926	32926
17	Gear - Differential (std)	26	33213	33213	33213	33213	33213
18	Thrustwasher - Diff Pinion (std)	27	34096	34096	34096	34096	34096
19	Thrustwasher - Diff Gear (std)	28	40027	40027	40027	40027	40027
20	Guide Tube	31	-	-	-	-	-
21	Oil Seal	32	46470	46470	46470	46470	46470
22	KIT - Socket Assembly	-	707488X	707488X	707488X	707488X	707488X
23	Socket Assembly (upper)	33	40916	40916	40916	40916	40916
24	Socket Assembly (lower)	35	48715	48715	48715	48715	48715
25	Bolt - Knuckle	38	47827	47827	47827	47827	47827
26	Dust Slinger	40	-	-	-	-	-
27	Washer - Flat	44	40596	40596	40596	40596	40596
28	Hex Nut	45	40597	40597	40597	40597	40597
29	Washer - Spring Wave	46	45749	45749	45749	45749	45749
30	Retainer Nut	47	40598	40598	40598	40598	40598
31	Cotter Pin	48	500025-10	500025-10	500025-10	500025-10	500025-10

(3) Contact Vehicle Manufacturer

(5) See shim table in the back of this catalog



# Jeep Super 30 /186 Front (JK & WJ) Variable Parts Listing

Kits & Parts - Use With All Applications							
Description & Item Number (Refer to "Exploded View" at the front of this section)			Bills of Material				
			611122	611123	611124	611125	611126
1	Slinger - Variable Thicknesses	3	49634 (5)	-	49634 (5)	49634 (5)	49634 (5)
2	Bearing Installation Kit	-	2017368	-	2017368	2017368	2017368
3	Master Overhaul Kit	-	2017379	-	2017379	2017379	2017379
4	KIT - Inner Pinion Bearing	4	706015X	-	706015X	706015X	706015X
5	Baffle - Pinion Oil	5	-	-	-	-	-
6	Collapsible Spacer	6	50576	-	50576	50576	50576
7	KIT - Outer Pinion Bearing	7	706894X	-	706894X	706894X	706894X
8	Slinger	8	13575	-	13575	13575	13575
9	Seal - Pinion Oil	9	50531	-	50531	50531	50531
10	Oil Seal	10	47762	-	47762	47762	47762
11	End Yoke/Companion Flange Assy	11	2-1-2891 (3)	-	2-1-2891 (3)	2-1-2891 (3)	2-1-2891 (3)
12	Pinion Nut	13	50560	-	50560	50560	50560
13	KIT - Carrier Cover	-	707486X	-	707486X	707486X	707486X
14	Carrier Cover	14	47832-1	-	47832-1	47832-1	47832-1
15	Plug - Carrier Cover	15	43181	43181	43181	43181	43181
16	Pinion - Differential (std)	25	32926	32926	32926	32926	32926
17	Gear - Differential (std)	26	33213	33213	33213	33213	33213
18	Thrustwasher - Diff Pinion (std)	27	34096	34096	34096	34096	34096
19	Thrustwasher - Diff Gear (std)	28	40027	40027	40027	40027	40027
20	Guide Tube	31	-	-	-	-	-
21	Oil Seal	32	46470	46470	46470	46470	46470
22	KIT - Socket Assembly	-	707488X	707488X	707488X	707488X	707488X
23	Socket Assembly (upper)	33	40916	40916	40916	40916	40916
24	Socket Assembly (lower)	35	48715	48715	48715	48715	48715
25	Bolt - Knuckle	38	47827	47827	47827	47827	47827
26	Dust Slinger	40	-	-	-	-	-
27	Washer - Flat	44	40596	40596	40596	40596	40596
28	Hex Nut	45	40597	40597	40597	40597	40597
29	Washer - Spring Wave	46	45749	45749	45749	45749	45749
30	Retainer Nut	47	40598	40598	40598	40598	40598
31	Cotter Pin	48	500025-10	500025-10	500025-10	500025-10	500025-10

(3) Contact Vehicle Manufacturer

(5) See shim table in the back of this catalog

# Jeep Super 30 /186 Front (JK & WJ)

## Variable Parts Listing

Kits & Parts - Use With All Applications							
Description & Item Number (Refer to "Exploded View" at the front of this section)			Bills of Material				
			611166	611219	611251	611252	611253
1	Slinger - Variable Thicknesses	3	49634 (5)	-	49634 (5)	49634 (5)	49634 (5)
2	Bearing Installation Kit	-	2017368				
3	Master Overhaul Kit	-	2017379				
4	KIT - Inner Pinion Bearing	4	706015X	-	706015X	706015X	706015X
5	Baffle - Pinion Oil	5	-	-	-	-	-
6	Collapsible Spacer	6	50576	-	50576	50576	50576
7	KIT - Outer Pinion Bearing	7	706894X	-	706894X	706894X	706894X
8	Slinger	8	13575	-	13575	13575	13575
9	Seal - Pinion Oil	9	50531	-	50531	50531	50531
10	Oil Seal	10	47762	-	47762	47762	47762
11	End Yoke/Companion Flange Assy	11	2-4-8571-1(3)	-	2-1-2891 (3)	2-1-2891 (3)	2-1-2891 (3)
12	Pinion Nut	13	50560	-	50560	50560	50560
13	KIT - Carrier Cover	-	707486X	-	707486X	707486X	707486X
14	Carrier Cover	14	47832-1	-	47832-1	47832-1	47832-1
15	Plug - Carrier Cover	15	43181	43181	43181	43181	43181
16	Pinion - Differential (std)	25	32926	-	32926	32926	32926
17	Gear - Differential (std)	26	33213	-	33213	33213	33213
18	Thrustwasher - Diff Pinion (std)	27	34096	-	34096	34096	34096
19	Thrustwasher - Diff Gear (std)	28	40027	-	40027	40027	40027
20	Guide Tube	31	-	-	-	-	-
21	Oil Seal	32	46470	-	46470	46470	46470
22	KIT - Socket Assembly	-	707488X	707488X	707488X	707488X	707488X
23	Socket Assembly (upper)	33	40916	40916	40916	40916	40916
24	Socket Assembly (lower)	35	48715	48715	48715	48715	48715
25	Bolt - Knuckle	38	47827	47827	47827	47827	47827
26	Dust Slinger	40	-	-	-	-	-
27	Washer - Flat	44	40596	40596	40596	40596	40596
28	Hex Nut	45	40597	40597	40597	40597	40597
29	Washer - Spring Wave	46	45749	45749	45749	45749	45749
30	Retainer Nut	47	40598	40598	40598	40598	40598
31	Cotter Pin	48	500025-10	500025-10	500025-10	500025-10	500025-10

(3) Contact Vehicle Manufacturer

(5) See shim table in the back of this catalog



# Jeep Super 30 /186 Front (JK & WJ) Variable Parts Listing

Kits & Parts - Use With All Applications							
Description & Item Number (Refer to "Exploded View" at the front of this section)			Bills of Material				
			611254	611278	611279	611280	611281
1	Slinger - Variable Thicknesses	3	49634 (5)	49634 (5)	49634 (5)	49634 (5)	49634 (5)
2	Bearing Installation Kit	-	2017368	2017368	2017368	2017368	2017368
3	Master Overhaul Kit	-	2017379	2017379	2017379	2017379	2017379
4	KIT - Inner Pinion Bearing	4	706015X	706015X	706015X	706015X	706015X
5	Baffle - Pinion Oil	5	-	-	-	-	-
6	Collapsible Spacer	6	50576	50576	50576	50576	50576
7	KIT - Outer Pinion Bearing	7	706894X	706894X	706894X	706894X	706894X
8	Slinger	8	13575	13575	13575	13575	13575
9	Seal - Pinion Oil	9	50531	50531	50531	50531	50531
10	Oil Seal	10	47762	47762	47762	47762	47762
11	End Yoke/Companion Flange Assy	11	2-1-2891 (3)	2-4-8571-1(3)	2-4-8571-1(3)	2-1-2891 (3)	2-1-28
12	Pinion Nut	13	50560	50560	50560	50560	50560
13	KIT - Carrier Cover	-	707486X	707486X	707486X	707486X	707486X
14	Carrier Cover	14	47832-1	47832-1	47832-1	47832-1	47832-1
15	Plug - Carrier Cover	15	43181	43181	43181	43181	43181
16	Pinion - Differential (std)	25	32926	32926	32926	32926	32926
17	Gear - Differential (std)	26	33213	33213	33213	33213	33213
18	Thrustwasher - Diff Pinion (std)	27	34096	34096	34096	34096	34096
19	Thrustwasher - Diff Gear (std)	28	40027	40027	40027	40027	40027
20	Guide Tube	31	-	-	-	-	-
21	Oil Seal	32	46470	46470	46470	46470	46470
22	KIT - Socket Assembly	-	707488X	707488X	707488X	707488X	707488X
23	Socket Assembly (upper)	33	40916	40916	40916	40916	40916
24	Socket Assembly (lower)	35	48715	48715	48715	48715	48715
25	Bolt - Knuckle	38	47827	47827	47827	47827	47827
26	Dust Slinger	40	-	-	-	-	-
27	Washer - Flat	44	40596	40596	40596	40596	40596
28	Hex Nut	45	40597	40597	40597	40597	40597
29	Washer - Spring Wave	46	45749	45749	45749	45749	45749
30	Retainer Nut	47	40598	40598	40598	40598	40598
31	Cotter Pin	48	500025-10	500025-10	500025-10	500025-10	500025-10

(3) Contact Vehicle Manufacturer

(5) See shim table in the back of this catalog

# Jeep Super 30 /186 Front (JK & WJ)

## Variable Parts Listing

Kits & Parts - Use With All Applications							
Description & Item Number (Refer to "Exploded View" at the front of this section)			Bills of Material				
			611282	611283	611284	611285	611286
1	Slinger - Variable Thicknesses	3	49634 (5)	49634 (5)	-	49634 (5)	49634 (5)
2	Bearing Installation Kit	-	2017368	2017368			
3	Master Overhaul Kit	-	2017379	2017379			
4	KIT - Inner Pinion Bearing	4	706015X	706015X	-	706015X	706015X
5	Baffle - Pinion Oil	5	-	-	-	-	-
6	Collapsible Spacer	6	50576	50576	-	50576	50576
7	KIT - Outer Pinion Bearing	7	706894X	706894X	-	706894X	706894X
8	Slinger	8	13575	13575	-	13575	13575
9	Seal - Pinion Oil	9	50531	50531	-	50531	50531
10	Oil Seal	10	47762	47762	-	47762	47762
11	End Yoke/Companion Flange Assy	11	2-1-2891 (3)	2-1-2891 (3)	-	2-4-8571-1(3)	2-1-2891 (3)
12	Pinion Nut	13	50560	50560	-	50560	50560
13	KIT - Carrier Cover	-	707486X	707486X	-	707486X	707486X
14	Carrier Cover	14	47832-1	47832-1	-	47832-1	47832-1
15	Plug - Carrier Cover	15	43181	43181	43181	43181	43181
16	Pinion - Differential (std)	25	32926	32926	-	32926	32926
17	Gear - Differential (std)	26	33213	33213	-	33213	33213
18	Thrustwasher - Diff Pinion (std)	27	34096	34096	-	34096	34096
19	Thrustwasher - Diff Gear (std)	28	40027	40027	-	40027	40027
20	Guide Tube	31	-	-	-	-	-
21	Oil Seal	32	46470	46470	-	46470	46470
22	KIT - Socket Assembly	-	707488X	707488X	707488X	707488X	707488X
23	Socket Assembly (upper)	33	40916	40916	40916	40916	40916
24	Socket Assembly (lower)	35	48715	48715	48715	48715	48715
25	Bolt - Knuckle	38	47827	47827	47827	47827	47827
26	Dust Slinger	40	-	-	-	-	-
27	Washer - Flat	44	40596	40596	40596	40596	40596
28	Hex Nut	45	40597	40597	40597	40597	40597
29	Washer - Spring Wave	46	45749	45749	45749	45749	45749
30	Retainer Nut	47	40598	40598	40598	40598	40598
31	Cotter Pin	48	500025-10	500025-10	500025-10	500025-10	500025-10

(3) Contact Vehicle Manufacturer

(5) See shim table in the back of this catalog

# Jeep Super 30 /186 Front (JK & WJ) Variable Parts Listing

Kits & Parts - Use With All Applications							
Description & Item Number (Refer to "Exploded View" at the front of this section)			Bills of Material				
			611287	611288	611289	611321	611322
1	Slinger - Variable Thicknesses	3	49634 (5)	49634 (5)	49634 (5)	49634 (5)	49634 (5)
2	Bearing Installation Kit	-	2017368	2017368	2017368	2017368	2017368
3	Master Overhaul Kit	-	2017379	2017379	2017379	2017379	2017379
4	KIT - Inner Pinion Bearing	4	706015X	706015X	706015X	706015X	706015X
5	Baffle - Pinion Oil	5	-	-	-	-	-
6	Collapsible Spacer	6	50576	50576	50576	50576	50576
7	KIT - Outer Pinion Bearing	7	706894X	706894X	706894X	706894X	706894X
8	Slinger	8	13575	13575	13575	13575	13575
9	Seal - Pinion Oil	9	50531	50531	50531	50531	50531
10	Oil Seal	10	47762	47762	47762	47762	47762
11	End Yoke/Companion Flange Assy	11	2-1-2891 (3)	2-1-2891 (3)	2-1-2891 (3)	2-4-8571-1(3)	2-4-857
12	Pinion Nut	13	50560	50560	50560	50560	50560
13	KIT - Carrier Cover	-	707486X	707486X	707486X	707486X	707486X
14	Carrier Cover	14	47832-1	47832-1	47832-1	47832-1	47832-1
15	Plug - Carrier Cover	15	43181	43181	43181	43181	43181
16	Pinion - Differential (std)	25	32926	32926	32926	32926	32926
17	Gear - Differential (std)	26	33213	33213	33213	33213	33213
18	Thrustwasher - Diff Pinion (std)	27	34096	34096	34096	34096	34096
19	Thrustwasher - Diff Gear (std)	28	40027	40027	40027	40027	40027
20	Guide Tube	31	-	-	-	-	-
21	Oil Seal	32	46470	46470	46470	46470	46470
22	KIT - Socket Assembly	-	707488X	707488X	707488X	707488X	707488X
23	Socket Assembly (upper)	33	40916	40916	40916	40916	40916
24	Socket Assembly (lower)	35	48715	48715	48715	48715	48715
25	Bolt - Knuckle	38	47827	47827	47827	47827	47827
26	Dust Slinger	40	-	-	-	-	-
27	Washer - Flat	44	40596	40596	40596	40596	40596
28	Hex Nut	45	40597	40597	40597	40597	40597
29	Washer - Spring Wave	46	45749	45749	45749	45749	45749
30	Retainer Nut	47	40598	40598	40598	40598	40598
31	Cotter Pin	48	500025-10	500025-10	500025-10	500025-10	500025-10

(3) Contact Vehicle Manufacturer  
 (5) See shim table in the back of this catalog

# Jeep Super 30 /186 Front (JK & WJ)

## Variable Parts Listing

Kits & Parts - Use With All Applications							
Description & Item Number (Refer to "Exploded View" at the front of this section)			Bills of Material				
			611323	611324	611325	611326	611327
1	Slinger - Variable Thicknesses	3	49634 (5)	49634 (5)	49634 (5)	49634 (5)	-
2	Bearing Installation Kit	-	2017368	2017368	2017368	2017368	
3	Master Overhaul Kit	-	2017379	2017379	2017379	2017379	
4	KIT - Inner Pinion Bearing	4	706015X	706015X	706015X	706015X	-
5	Baffle - Pinion Oil	5	-	-	-	-	-
6	Collapsible Spacer	6	50576	50576	50576	50576	-
7	KIT - Outer Pinion Bearing	7	706894X	706894X	706894X	706894X	-
8	Slinger	8	13575	13575	13575	13575	-
9	Seal - Pinion Oil	9	50531	50531	50531	50531	-
10	Oil Seal	10	47762	47762	47762	47762	-
11	End Yoke/Companion Flange Assy	11	2-1-2891 (3)	2-1-2891 (3)	- (3)	- (3)	-
12	Pinion Nut	13	50560	50560	50560	50560	-
13	KIT - Carrier Cover	-	707486X	707486X	707486X	707486X	-
14	Carrier Cover	14	47832-1	47832-1	47832-1	47832-1	-
15	Plug - Carrier Cover	15	43181	43181	43181	43181	43181
16	Pinion - Differential (std)	25	32926	32926	32926	32926	-
17	Gear - Differential (std)	26	33213	33213	33213	33213	-
18	Thrustwasher - Diff Pinion (std)	27	34096	34096	34096	34096	-
19	Thrustwasher - Diff Gear (std)	28	40027	40027	40027	40027	-
20	Guide Tube	31	-	-	-	-	-
21	Oil Seal	32	46470	46470	46470	46470	-
22	KIT - Socket Assembly	-	707488X	707488X	707488X	707488X	707488X
23	Socket Assembly (upper)	33	40916	40916	40916	40916	40916
24	Socket Assembly (lower)	35	48715	48715	48715	48715	48715
25	Bolt - Knuckle	38	47827	47827	47827	47827	47827
26	Dust Slinger	40	-	-	-	-	-
27	Washer - Flat	44	40596	40596	40596	40596	40596
28	Hex Nut	45	40597	40597	40597	40597	40597
29	Washer - Spring Wave	46	45749	45749	45749	45749	45749
30	Retainer Nut	47	40598	40598	40598	40598	40598
31	Cotter Pin	48	500025-10	500025-10	500025-10	500025-10	500025-10

(3) Contact Vehicle Manufacturer

(5) See shim table in the back of this catalog

# Jeep Super 30 /186 Front (JK & WJ) Variable Parts Listing

Kits & Parts - Use With All Applications							
Description & Item Number (Refer to "Exploded View" at the front of this section)			Bills of Material				
			611328	611329	611330	611331	611332
1	Slinger - Variable Thicknesses	3	49634 (5)	49634 (5)	49634 (5)	49634 (5)	49634 (5)
2	Bearing Installation Kit	-	2017368	2017368	2017368	2017368	2017368
3	Master Overhaul Kit	-	2017379	2017379	2017379	2017379	2017379
4	KIT - Inner Pinion Bearing	4	706015X	706015X	706015X	706015X	706015X
5	Baffle - Pinion Oil	5	-	-	-	-	-
6	Collapsible Spacer	6	50576	50576	50576	50576	50576
7	KIT - Outer Pinion Bearing	7	706894X	706894X	706894X	706894X	706894X
8	Slinger	8	13575	13575	13575	13575	13575
9	Seal - Pinion Oil	9	50531	50531	50531	50531	50531
10	Oil Seal	10	47762	47762	47762	47762	47762
11	End Yoke/Companion Flange Assy	11	2-4-8571-1(3)	2-1-2891 (3)	- (3)	2-1-2891 (3)	- (3)
12	Pinion Nut	13	50560	50560	50560	50560	50560
13	KIT - Carrier Cover	-	707486X	707486X	707486X	707486X	707486X
14	Carrier Cover	14	47832-1	47832-1	47832-1	47832-1	47832-1
15	Plug - Carrier Cover	15	43181	43181	43181	43181	43181
16	Pinion - Differential (std)	25	32926	32926	32926	32926	32926
17	Gear - Differential (std)	26	33213	33213	33213	33213	33213
18	Thrustwasher - Diff Pinion (std)	27	34096	34096	34096	34096	34096
19	Thrustwasher - Diff Gear (std)	28	40027	40027	40027	40027	40027
20	Guide Tube	31	-	-	-	-	-
21	Oil Seal	32	46470	46470	46470	46470	46470
22	KIT - Socket Assembly	-	707488X	707488X	707488X	707488X	707488X
23	Socket Assembly (upper)	33	40916	40916	40916	40916	40916
24	Socket Assembly (lower)	35	48715	48715	48715	48715	48715
25	Bolt - Knuckle	38	47827	47827	47827	47827	47827
26	Dust Slinger	40	-	-	-	-	-
27	Washer - Flat	44	40596	40596	40596	40596	40596
28	Hex Nut	45	40597	40597	40597	40597	40597
29	Washer - Spring Wave	46	45749	45749	45749	45749	45749
30	Retainer Nut	47	40598	40598	40598	40598	40598
31	Cotter Pin	48	500025-10	500025-10	500025-10	500025-10	500025-10



# Jeep Super 30 /186 Front (JK & WJ)

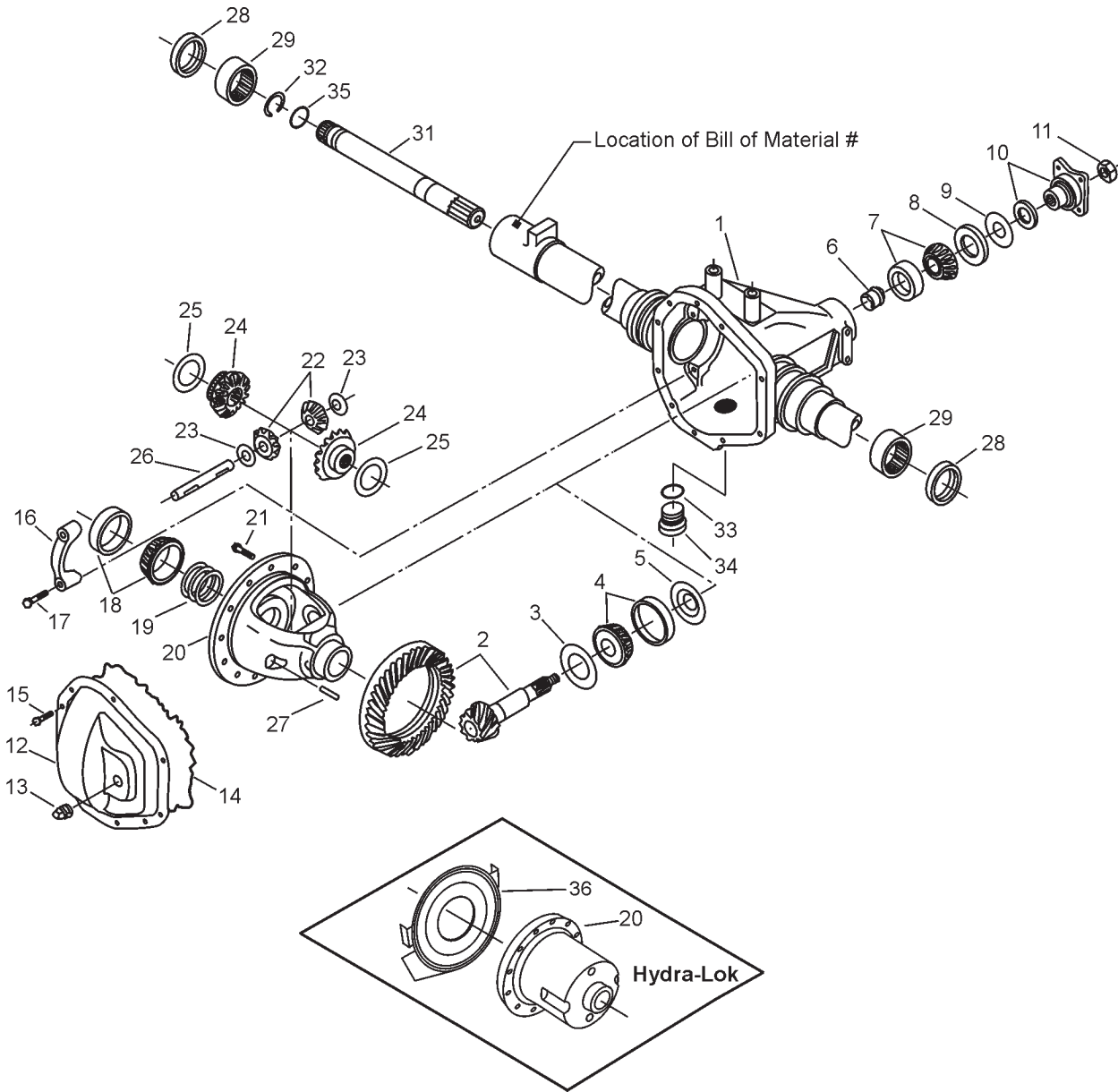
## Variable Parts Listing

Kits & Parts - Use With All Applications							
Description & Item Number (Refer to "Exploded View" at the front of this section)			Bills of Material				
			611373	611374	611375	611376	611377
1	Slinger - Variable Thicknesses	3	49634 (5)	49634 (5)	49634 (5)	49634 (5)	49634 (5)
2	Bearing Installation Kit	-	2017368	2017368	2017368	2017368	2017368
3	Master Overhaul Kit	-	2017379	2017379	2017379	2017379	2017379
4	KIT - Inner Pinion Bearing	4	706015X	706015X	706015X	706015X	706015X
5	Baffle - Pinion Oil	5	-	-	-	-	-
6	Collapsible Spacer	6	50576	50576	50576	50576	50576
7	KIT - Outer Pinion Bearing	7	706894X	706894X	706894X	706894X	706894X
8	Slinger	8	13575	13575	13575	13575	13575
9	Seal - Pinion Oil	9	50531	50531	50531	50531	50531
10	Oil Seal	10	47762	47762	47762	47762	47762
11	End Yoke/Companion Flange Assy	11	- (3)	- (3)	2-4-8571-1(3)	- (3)	- (3)
12	Pinion Nut	13	50560	50560	50560	50560	50560
13	KIT - Carrier Cover	-	707486X	707486X	707486X	707486X	707486X
14	Carrier Cover	14	47832-1	47832-1	47832-1	47832-1	47832-1
15	Plug - Carrier Cover	15	43181	43181	43181	43181	43181
16	Pinion - Differential (std)	25	32926	32926	32926	32926	32926
17	Gear - Differential (std)	26	33213	33213	33213	33213	33213
18	Thrustwasher - Diff Pinion (std)	27	34096	34096	34096	34096	34096
19	Thrustwasher - Diff Gear (std)	28	40027	40027	40027	40027	40027
20	Guide Tube	31	-	-	-	-	-
21	Oil Seal	32	46470	46470	46470	46470	46470
22	KIT - Socket Assembly	-	707488X	707488X	707488X	707488X	707488X
23	Socket Assembly (upper)	33	40916	40916	40916	40916	40916
24	Socket Assembly (lower)	35	48715	48715	48715	48715	48715
25	Bolt - Knuckle	38	47827	47827	47827	47827	47827
26	Dust Slinger	40	-	-	-	-	-
27	Washer - Flat	44	40596	40596	40596	40596	40596
28	Hex Nut	45	40597	40597	40597	40597	40597
29	Washer - Spring Wave	46	45749	45749	45749	45749	45749
30	Retainer Nut	47	40598	40598	40598	40598	40598
31	Cotter Pin	48	500025-10	500025-10	500025-10	500025-10	500025-10

# NOTES

**Model Super 30 /186  
Front Axles for  
KA (Liberty)  
KJ (Liberty)**

# Jeep Super 30 /186 Front (KA & KJ) Exploded View



# Jeep Super 30 /186 Front (KA & KJ)

## Parts Listing

ITEM NO.	PART NUMBER	DESCRIPTION	ITEM NO.	PART NUMBER	DESCRIPTION
1	-(3)	Housing - Axle Service	18	706016X	KIT - Differential Bearing
2	-(1)	Drive Pinion & Gear Assembly	19	701173X	PKG - Differential Shim
3	-(2)	Slinger - Variable Thicknesses	20	-(1)	Case - Differential
	-(2)	Bearing Installation Kit	21	41221	Bolt - Drive Gear (qty 10)
	-(2)	Master Overhaul Kit	22	-(2)	Pinion - Differential
	-(2)	PKG - Pinion Shim	23	-(2)	Thrustwasher - Diff Pinion
4	707064X	KIT - Inner Pinion Bearing	24	46502	Gear - Differential (std)
5	48741-3	Baffle - Pinion Oil (KA only)	25	-(2)	Thrustwasher - Diff Gear
6	50614	Collapsible Spacer	26	41648	Shaft - Differential (std)
7	706015X	KIT - Outer Pinion Bearing	27	13449	Lock - Differential Shaft (std)
8	-(2)	Slinger - Outer Pinion Bearing	28	50608	Seal
9	-(2)	Seal - Pinion Oil	29	-(2)	Bearing/Bushing
10	-(2)	Companion Flange Assembly	30	51442	Retainer Ring
11	44189	Pinion Nut	31	-(2)	Shaft
	-(2)	KIT - Carrier Cover (12,13,15)	32	-(2)	Retainer Ring
12	-(2)	Carrier Cover		80744	Plug Assembly (inc 33,34)
13	43180	Plug - Carrier Cover	33	50694	O-Ring
14	38615	RTV Silicone Sealant	34	50690	Plug - Socket Head
15	40286-5	Bolt - Carrier Cover (qty 10)	35	50726	O-Ring (shaft)
16	-(3)	Differential Bearing Cap	36	55254	Plenum Assembly (h/l)
17	40284-1	Bolt - Differential Bearing Cap			

- (1) See "Bill of Material Table" on next page  
(2) See "Variable Parts Table" within this section  
(3) Contact Vehicle Manufacturer  
(4) Not Sold Separately  
(5) See shim table in the back of this catalog

# Jeep Super 30 /186 Front (KA & KJ)

## Bill of Material Table

Axle			Axle Kits				Shaft & Joint Assy.	
Bill of Material	Diff. Type	Ratio	Ring Gear & Pinion Kit <sup>(7)</sup>	Differential			Right Hand Shaft Assy.	Left Hand Shaft Assy.
				Case Assy. Kit <sup>(8)</sup>	Case Kit	Inner Parts Kit		
<b>2000-01 KJ</b>								
611036	Standard	4.10	84006-5	708115	708114	708113	-(3)	-(3)
611092	Standard	4.10	84006-5	708115	708114	708113	-(3)	-(3)
611383	Standard	4.10	84006-5	708115	708114	708113	-(3)	-(3)
<b>2001 KJ</b>								
610965-1	Standard	3.73	84004-5	708115	708114	708113	-(3)	-(3)
610965-2	Standard	3.91	84005-5	708115	708114	708113	-(3)	-(3)
610965-3	Standard	4.10	84006-5	708115	708114	708113	-(3)	-(3)
611034	Standard	3.73	84004-5	708115	708114	708113	-(3)	-(3)
611035	Standard	3.91	84005-5	708115	708114	708113	-(3)	-(3)
611090	Standard	3.73	84004-5	708115	708114	708113	-(3)	-(3)
<b>2002 KJ</b>								
611091	Standard	3.91	84005-5	708115	708114	708113	-(3)	-(3)
<b>2002-03 KJ</b>								
611230	Standard	3.73	84004-5	708115	708114	708113	-(3)	-(3)
611231	Standard	4.10	84006-5	708115	708114	708113	-(3)	-(3)
<b>2003 KJ</b>								
611363	Standard	4.10	84006-5	708115	708114	708113	-(3)	-(3)
611384	Standard	4.10	84006-5	708115	708114	708113	-(3)	-(3)
<b>2004 KJ</b>								
611209	Hydra Lok	3.73	84004-5	84942	-(3)	-(3)	-(3)	-(3)
611382	Standard	3.73	84004-5	708115	708114	708113	-(3)	-(3)
<b>2005 KJ</b>								
2002426	Standard	3.73	84004-5	708115	708114	708113	-(3)	-(3)
2002427	Standard	4.10	84006-5	708115	708114	708113	-(3)	-(3)
2002487	Standard	3.55	85407-5	708254	706007-1X	708113	-(3)	-(3)
2002491	Standard	3.73	84004-5	708115	708114	708113	-(3)	-(3)
2002505	Standard	3.55	85407-5	708254	706007-1X	708113	-(3)	-(3)
611344	Standard	3.55	85407-5	708254	706007-1X	708113	-(3)	-(3)
611345	Standard	3.73	84004-5	708115	708114	708113	-(3)	-(3)
611365	Standard	3.55	85407-5	708254	706007-1X	708113	-(3)	-(3)
<b>2007 KA</b>								
2003366	Standard	3.55	2005018-5	2005961	2005563	2005962	-(3)	-(3)
2003367	Standard	3.73	2005021-5	2005974	2010999	2005962	-(3)	-(3)
2004119	Standard	3.21	2005015-5	2005961	2005563	2005962	-(3)	-(3)
2005575	Standard	3.55	2005018-5	2005961	2005563	2005962	-(3)	-(3)
2005576	Standard	3.73	2005021-5	2005974	2010999	2005962	-(3)	-(3)
2005577	Standard	3.21	2005015-5	2005961	2005563	2005962	-(3)	-(3)
2006049	Standard	3.55	2005018-5	2005961	2005563	2005962	-(3)	-(3)
2006050	Standard	3.73	2005021-5	2005974	2010999	2005962	-(3)	-(3)
2006051	Standard	3.21	2005015-5	2005961	2005563	2005962	-(3)	-(3)
2007126	Standard	3.55	2005018-5	2005961	2005563	2005962	-(3)	-(3)
2007127	Standard	3.73	2005021-5	2005974	2010999	2005962	-(3)	-(3)
2007128	Standard	3.21	2005015-5	2005961	2005563	2005962	-(3)	-(3)

**Continue on next page**

(3) Contact Vehicle Manufacturer  
(7) See Ring Gear & Pinion Kits in XGI Catalog for ratio & tooth combinations.  
(8) See Differential Case Assy Kits in XGI Catalog for spline data & ratios.  
**Note:** 2005563 is a case only

# Jeep Super 30 /186 Front (KA & KJ)

## Bill of Material Table

Axle			Axle Kits				Shaft & Joint Assy.	
Bill of Material	Diff. Type	Ratio	Ring Gear & Pinion Kit <sup>(7)</sup>	Differential			Right Hand Shaft Assy.	Left Hand Shaft Assy.
				Case Assy. Kit <sup>(8)</sup>	Case Kit	Inner Parts Kit		
<b>2007 KA (Continued)</b>								
2009862	Standard	3.55	2005018-5	2005961	2005563	2005962	-(3)	-(3)
2009863	Standard	3.73	2005021-5	2005974	2010999	2005962	-(3)	-(3)
2009864	Standard	3.21	2005015-5	2005961	2005563	2005962	-(3)	-(3)
<b>2007-08 KA</b>								
2010817-1	Standard	3.55	2005018-5	2005961	2005563	2005962	-(3)	-(3)
2010818-1	Standard	3.73	2005021-5	2005974	2010999	2005962	-(3)	-(3)
2010819-1	Standard	3.21	2005015-5	2005961	2005563	2005962	-(3)	-(3)
<b>2007-09 KA</b>								
2010106-1	Standard	3.55	2005018-5	2005961	2005563	2005962	-(3)	-(3)
2010107-1	Standard	3.73	2005021-5	2005974	2010999	2005962	-(3)	-(3)
2010108-1	Standard	3.21	2005015-5	2005961	2005563	2005962	-(3)	-(3)
<b>2008-09 KA</b>								
2011450-1	Standard	3.55	2005018-5	2005961	2005563	2005962	-(3)	-(3)
2011451-1	Standard	3.73	2005021-5	2005974	2010999	2005962	-(3)	-(3)
2011452-1	Standard	3.21	2005015-5	2005961	2005563	2005962	-(3)	-(3)
<b>2010-11 KA</b>								
2015714-1	Standard	3.07	2015273-5	2005961	2005563	2005962	-(3)	-(3)
<b>2011 KA</b>								
2018259-1	Standard	3.73	2005021-5	2005974	2010999	2005962	-(3)	-(3)
2018260-1	Standard	3.21	2005015-5	2005961	-	2005962	-(3)	-(3)
<b>2012 KA</b>								
2018261-1	Standard	3.07	2015273-5	2005961	-	2005962	-(3)	-(3)

(3) Contact Vehicle Manufacturer

(7) See Ring Gear &amp; Pinion Kits in XGI Catalog for ratio &amp; tooth combinations.

(8) See Differential Case Assy Kits in XGI Catalog for spline data &amp; ratios.

**Note:** 2005563 is a case only

# Jeep Super 30 /186 Front (KA & KJ) Variable Parts Listing

Kits & Parts - Use With All Applications							
Description & Item Number (Refer to "Exploded View" at the front of this section)			Bills of Material				
			2002426	2002427	2002487	2002491	2002505
1	Slinger - Variable Thicknesses	3	50615- (5)	50615- (5)	50615- (5)	50615- (5)	50615- (5)
2	Bearing Installation Kit	-	2017377	2017377	2017377	2017377	2017377
3	Master Overhaul Kit	-	2017367	2017367	2017367	2017367	2017367
4	PKG - Pinion Shim	-	703007	703007	703007	703007	703007
5	Slinger - Outer Pinion Bearing	8	42778	42778	42778	42778	42778
6	Seal - Pinion Oil	9	50619	50619	50619	50619	50619
7	Companion Flange Assembly	10	2002415	2002415	2002415	2002415	2002415
8	KIT - Carrier Cover (12,13,15)	-	2005960	708116	2005960	2005960	2005960
9	Carrier Cover	12	2003955	84035	2003955	2003955	2003955
10	Pinion - Differential	22	46504	46504	46504	46504	46504
11	Thrustwasher - Diff Pinion	23	34096	34096	34096	34096	34096
12	Thrustwasher - Diff Gear	25	34095	34095	34095	34095	34095
13	Bearing/Bushing	29	54103-3	566131	566131	54103-3	566131
14	Shaft	31	84270	84270	84270	84270	84270
15	Retainer Ring	32	2006150	2006150	2006150	2006150	2006150
			<b>2003366</b>	<b>2003367</b>	<b>2004119</b>	<b>2005575</b>	<b>2005576</b>
1	Slinger - Variable Thicknesses	3	41214- (5)	41214- (5)	41214- (5)	41214- (5)	41214- (5)
2	Bearing Installation Kit	-	2017378	2017378	2017378	2017378	2017378
3	Master Overhaul Kit	-	2017366	2017366	2017366	2017366	2017366
4	PKG - Pinion Shim	-	701140X	701140X	701140X	701140X	701140X
5	Slinger - Outer Pinion Bearing	8	42778	42778	42778	2005565	2005565
6	Seal - Pinion Oil	9	55477	55477	55477	55477	55477
7	Companion Flange Assembly	10	2003481	2003481	2003481	2003481	2003481
8	KIT - Carrier Cover (12,13,15)	-	2005960	2005960	2005960	2005960	2005960
9	Carrier Cover	12	2003955	2003955	2003955	2003955	2003955
10	Pinion - Differential	22	2005215	2005215	2005215	2005215	2005215
11	Thrustwasher - Diff Pinion	23	2005202	2005202	2005202	2005202	2005202
12	Thrustwasher - Diff Gear	25	50119	50119	50119	50119	50119
13	Bearing/Bushing	29	54103-3	54103-3	54103-3	54103-3	54103-3
14	Shaft	31	2003734	2003734	2003734	2003734	2003734
15	Retainer Ring	32	2006150	2006150	2006150	2006150	2006150
			<b>2005577</b>	<b>2006049</b>	<b>2006050</b>	<b>2006051</b>	<b>2007126</b>
1	Slinger - Variable Thicknesses	3	41214- (5)	41214- (5)	41214- (5)	41214- (5)	41214- (5)
2	Bearing Installation Kit	-	2017378	2017378	2017378	2017378	2017378
3	Master Overhaul Kit	-	2017366	2017366	2017366	2017366	2017366
4	PKG - Pinion Shim	-	701140X	701140X	701140X	701140X	701140X
5	Slinger - Outer Pinion Bearing	8	2005565	2005565	2005565	2005565	2005565
6	Seal - Pinion Oil	9	55477	2004670	2004670	2004670	2004670
7	Companion Flange Assembly	10	2003481	2005947	2005947	2005947	2005947
8	KIT - Carrier Cover (12,13,15)	-	2005960	2005960	2005960	2005960	2005960
9	Carrier Cover	12	2003955	2003955	2003955	2003955	2003955
10	Pinion - Differential	22	2005215	2005215	2005215	2005215	2005215
11	Thrustwasher - Diff Pinion	23	2005202	2005202	2005202	2005202	2005202
12	Thrustwasher - Diff Gear	25	50119	50119	50119	50119	50119
13	Bearing/Bushing	29	54103-3	54103-3	54103-3	54103-3	54103-3
14	Shaft	31	2003734	2003734	2003734	2003734	2003734
15	Retainer Ring	32	2006150	2006150	2006150	2006150	2006150

(5) See shim table at the back of this catalog



# Jeep Super 30 /186 Front (KA & KJ)

## Variable Parts Listing

Kits & Parts - Use With All Applications							
Description & Item Number (Refer to "Exploded View" at the front of this section)			Bills of Material				
			2007127	2007128	2009862	2009863	2009864
1	Slinger - Variable Thicknesses	3	41214- (5)	41214- (5)	41214- (5)	41214- (5)	41214- (5)
2	Bearing Installation Kit	-	2017378	2017378	2017378	2017378	2017378
3	Master Overhaul Kit	-	2017366	2017366	2017366	2017366	2017366
4	PKG - Pinion Shim	-	701140X	701140X	701140X	701140X	701140X
5	Slinger - Outer Pinion Bearing	8	2005565	2005565	2005565	2005565	2005565
6	Seal - Pinion Oil	9	2004670	2004670	2004670	2004670	2004670
7	Companion Flange Assembly	10	2005947	2005947	2005947	2005947	2005947
8	KIT - Carrier Cover (12,13,15)	-	2005960	2005960	2005960	2005960	2005960
9	Carrier Cover	12	2003955	2003955	2003955	2003955	2003955
10	Pinion - Differential	22	2005215	2005215	2005215	2005215	2005215
11	Thrustwasher - Diff Pinion	23	2005202	2005202	2005202	2005202	2005202
12	Thrustwasher - Diff Gear	25	50119	50119	50119	50119	50119
13	Bearing/Bushing	29	54103-3	54103-3	54103-3	54103-3	54103-3
14	Shaft	31	2003734	2003734	2003734	2003734	2003734
15	Retainer Ring	32	2006150	2006150	2006150	2006150	2006150
			<b>2010106</b>	<b>2010107</b>	<b>2010108</b>	<b>2010817</b>	<b>2010818</b>
1	Slinger - Variable Thicknesses	3	41214- (5)	41214- (5)	41214- (5)	41214- (5)	41214- (5)
2	Bearing Installation Kit	-	2017378	2017378	2017378	2017378	2017378
3	Master Overhaul Kit	-	2017366	2017366	2017366	2017366	2017366
4	PKG - Pinion Shim	-	701140X	701140X	701140X	701140X	701140X
5	Slinger - Outer Pinion Bearing	8	2005565	2005565	2005565	2005565	2005565
6	Seal - Pinion Oil	9	2004670	2004670	2004670	2004970	2004670
7	Companion Flange Assembly	10	2005947	2005947	2005947	2005947	2005947
8	KIT - Carrier Cover (12,13,15)	-	2005960	2005960	2005960	2005960	2005960
9	Carrier Cover	12	2003955	2003955	2003955	2003955	2003955
10	Pinion - Differential	22	2005215	2005215	2005215	2005215	2005215
11	Thrustwasher - Diff Pinion	23	2005202	2005202	2005202	2005202	2005202
12	Thrustwasher - Diff Gear	25	50119	50119	50119	50119	50119
13	Bearing/Bushing	29	54103-3	54103-3	54103-3	54103-3	54103-3
14	Shaft	31	2003734	2003734	2003734	2003734	2003734
15	Retainer Ring	32	2006150	2006150	2006150	2006150	2006150
			<b>2010819</b>	<b>2011450</b>	<b>2011451</b>	<b>2011452</b>	<b>2015714</b>
1	Slinger - Variable Thicknesses	3	41214- (5)	41214- (5)	41214- (5)	41214- (5)	41214- (5)
2	Bearing Installation Kit	-	2017378	2017378	2017378	2017378	2017378
3	Master Overhaul Kit	-	2017366	2017366	2017366	2017366	2017366
4	PKG - Pinion Shim	-	701140X	701140X	701140X	701140X	701140X
5	Slinger - Outer Pinion Bearing	8	2005565	2005565	2005565	2005565	2005565
6	Seal - Pinion Oil	9	2004670	2004670	2004670	2004670	2004670
7	Companion Flange Assembly	10	2005947	2005947	2005947	2005947	2005947
8	KIT - Carrier Cover (12,13,15)	-	2005960	2005960	2005960	2005960	2005960
9	Carrier Cover	12	2003955	2003955	2003955	2003955	2003955
10	Pinion - Differential	22	2005215	2005215	2005215	2005215	2005215
11	Thrustwasher - Diff Pinion	23	2005202	2005202	2005202	2005202	2005202
12	Thrustwasher - Diff Gear	25	50119	50119	50119	50119	50119
13	Bearing/Bushing	29	54103-3	54103-3	54103-3	54103-3	54103-3
14	Shaft	31	2003734	2003734	2003734	2003734	2003734
15	Retainer Ring	32	2006150	2006150	2006150	2006150	2006150

(5) See shim table at the back of this catalog



# Jeep Super 30 /186 Front (KA & KJ) Variable Parts Listing

Kits & Parts - Use With All Applications							
Description & Item Number (Refer to "Exploded View" at the front of this section)			Bills of Material				
			2018259	2018260	2018261	610965	611034
1	Slinger - Variable Thicknesses	3	41214- (5)	41214- (5)	41214- (5)	50615- (5)	50615- (5)
2	Bearing Installation Kit	-	2017378	2017378	2017378	2017377	2017377
3	Master Overhaul Kit	-	2017366	2017366	2017366	2017367	2017367
4	PKG - Pinion Shim	-	701140X	701140X	701140X	703007	703007
5	Slinger - Outer Pinion Bearing	8	2005565	2005565	2005565	42778	42778
6	Seal - Pinion Oil	9	2004670	2004670	2004670	50619	50619
7	Companion Flange Assembly	10	2005947	2005947	2005947	2002415	84679
8	KIT - Carrier Cover (12,13,15)	-	2005960	2005960	2005960	708116	708116
9	Carrier Cover	12	2003955	2003955	2003955	84035	84035
10	Pinion - Differential	22	2005215	2005215	2005215	46504	46504
11	Thrustwasher - Diff Pinion	23	2005202	2005202	2005202	34096	34096
12	Thrustwasher - Diff Gear	25	50119	50119	50119	34095	34095
13	Bearing/Bushing	29	54103-3	54103-3	54103-3	566131	566131
14	Shaft	31	2003734	2003734	2003734	84270	84270
15	Retainer Ring	32	2006150	2006150	2006150	2006150	2006150
			<b>611035</b>	<b>611036</b>	<b>611090</b>	<b>611091</b>	<b>611092</b>
1	Slinger - Variable Thicknesses	3	50615- (5)	50615- (5)	50615- (5)	50615- (5)	50615- (5)
2	Bearing Installation Kit	-	2017377	2017377	2017377	2017377	2017377
3	Master Overhaul Kit	-	2017367	2017367	2017367	2017367	2017367
4	PKG - Pinion Shim	-	703007	703007	703007	703007	703007
5	Slinger - Outer Pinion Bearing	8	42778	42778	42778	42778	42778
6	Seal - Pinion Oil	9	50619	50619	50619	50619	50619
7	Companion Flange Assembly	10	2002415	84679	84679	2002415	84679
8	KIT - Carrier Cover (12,13,15)	-	708116	708116	708116	708116	708116
9	Carrier Cover	12	84035	84035	84035	84035	84035
10	Pinion - Differential	22	46504	46504	46504	46504	46504
11	Thrustwasher - Diff Pinion	23	34096	34096	34096	34096	34096
12	Thrustwasher - Diff Gear	25	34095	34095	34095	34095	34095
13	Bearing/Bushing	29	566131	566131	566131	566131	566131
14	Shaft	31	84270	84270	84270	84270	84270
15	Retainer Ring	32	2006150	2006150	2006150	2006150	2006150
			<b>611209</b>	<b>611230</b>	<b>611231</b>	<b>611344</b>	<b>611345</b>
1	Slinger - Variable Thicknesses	3	50615- (5)	50615- (5)	50615- (5)	50615- (5)	50615- (5)
2	Bearing Installation Kit	-	2017377	2017377	2017377	2017377	2017377
3	Master Overhaul Kit	-	2017367	2017367	2017367	2017367	2017367
4	PKG - Pinion Shim	-	703007	703007	703007	703007	703007
5	Slinger - Outer Pinion Bearing	8	42778	42778	42778	42778	42778
6	Seal - Pinion Oil	9	50619	50619	50619	50619	50619
7	Companion Flange Assembly	10	2002415	84679	85749	84679	2002415
8	KIT - Carrier Cover (12,13,15)	-	708116	708116	708116	708116	708116
9	Carrier Cover	12	84035	84035	84035	84035	84035
10	Pinion - Differential	22	-	46504	46504	46504	46504
11	Thrustwasher - Diff Pinion	23	-	34096	34096	34096	34096
12	Thrustwasher - Diff Gear	25	-	34095	34095	34095	34095
13	Bearing/Bushing	29	566131	566131	566131	566131	566131
14	Shaft	31	84743	84270	84270	84270	84270
15	Retainer Ring	32	46072	2006150	2006150	2006150	2006150

(5) See shim table at the back of this catalog

# Jeep Super 30 /186 Front (KA & KJ)

## Variable Parts Listing

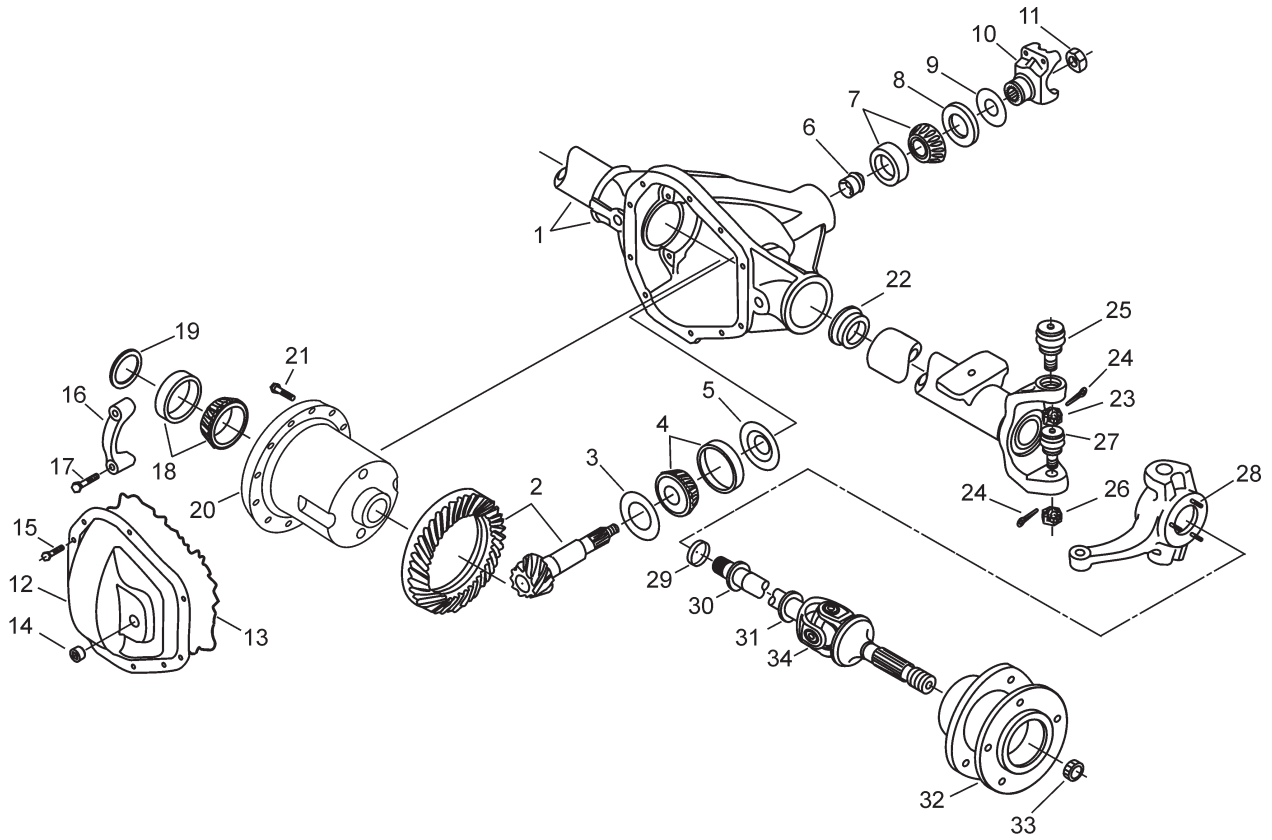
Kits & Parts - Use With All Applications							
Description & Item Number (Refer to "Exploded View" at the front of this section)			Bills of Material				
			611363	611365	611382	611383	611384
1	Slinger - Variable Thicknesses	3	50615- (5)	50615- (5)	50615- (5)	50615- (5)	50615- (5)
2	Bearing Installation Kit	-	2017377	2017377	2017377	2017377	2017377
3	Master Overhaul Kit	-	2017367	2017367	2017367	2017367	2017367
4	PKG - Pinion Shim	-	703007	703007	703007	703007	703007
5	Slinger - Outer Pinion Bearing	8	42778	42778	42778	42778	42778
6	Seal - Pinion Oil	9	50619	50619	50619	50619	50619
7	Companion Flange Assembly	10	85749	84679	84679	84679	85749
8	KIT - Carrier Cover (12,13,15)	-	708116	708116	708116	708116	708116
9	Carrier Cover	12	84035	84035	84035	84035	84035
10	Pinion - Differential	22	46504	46504	46504	46504	46504
11	Thrustwasher - Diff Pinion	23	34096	34096	34096	34096	34096
12	Thrustwasher - Diff Gear	25	34095	34095	34095	34095	34095
13	Bearing/Bushing	29	566131	566131	566131	566131	566131
14	Shaft	31	84270	84270	84270	84270	84270
15	Retainer Ring	32	2006150	2006150	2006150	2006150	2006150

(5) See shim table at the back of this catalog

# NOTES

**Model 44 /216  
Front Axles  
with Collapsible Spacer for  
JK (Wrangler)**

# Jeep 44 /216 Front with Collapsible Spacer Exploded View



# Jeep 44 /216 Front with Collapsible Spacer Parts Listing

ITEM NO.	PART NUMBER	DESCRIPTION	ITEM NO.	PART NUMBER	DESCRIPTION
1	-(3)	Housing - Axle Service	17	48632-1	Bolt - Differential Bearing Cap
2	-(1)	Drive Pinion & Gear Assembly	18	2007293	KIT - Differential Bearing
3	41214-	Shim	19	2007294	PKG - Diff Bearing Shim
	-(2)	Bearing Installation Kit	20	-(1)	Case - Differential
	-(2)	Master Overhaul Kit	21	49242-2	Drive Gear Bolt (qty 10)
4	707064X	Kit - Inner Pinion Bearing		2007354	KIT - Socket Assembly (inc. 23, 24, 25, 26, 27)
5	48741-3	Baffle - Pinion Oil			
6	-(2)	Collapsible Spacer	22	-(2)	Seal & Guide Tube
7	706015X	KIT - Outer Pinion Bearing	23	40584	Nut - Hex Slotted
8	2005565	Slinger - Pinion Bearing Outer	24	500024-6	Cotter Pin
9	2004670	Seal - Pinion Oil	25	2005838	Socket Assembly (upper)
10	2005008	Companion Flange Assembly	26	43682	Nut - Hex Jam
11	44189	Pinion Nut	27	2011892	Socket Assembly (lower)
	708175	KIT - Carrier Cover (inc 12,14,15)	28	-(2)	Bolt - Hex (qty 6)
12	42960-2	Carrier Cover	29	41586	Plug - Cup (dead front only)
13	34685	Gasket - Carrier Cover	30	-(2)	Guide - Axle Shaft
	38615	RTV Silicone Sealant	31	-(2)	Slinger - Inner Shaft
14	-(2)	Plug - Carrier Cover	32	-(3)	Hub Assembly
15	34279	Bolt - Carrier Cover (qty 10)	33	-(2)	Nut - Hex
16	-(3)	Differential Bearing Cap	34	-(1)	Shaft & Joint Assembly

- (1) See "Bill of Material Table" on next page  
(2) See "Variable Parts Table" within this section  
(3) Contact Vehicle Manufacturer  
(4) Not Sold Separately  
(5) See Camber/Caster Bushing Table at the back of this catalog.



# Jeep 44 /216 Front with Collapsible Spacer Bill of Material Table

Axle			Axle Kits				Shaft & Joint Assy.	
Bill of Material	Diff. Type	Ratio	Ring Gear & Pinion Kit <sup>(7)</sup>	Differential			Right Hand Shaft Assy.	Left Hand Shaft Assy.
				Case Assy. Kit <sup>(8)</sup>	Case Kit	Inner Parts Kit		
<b>2007 JK</b>								
2005187-1	Elec. Lock	4.10	2005024-5	2007503	-(9)	-(9)	2002533-2	2002533-1
2005188-1	Elec. Lock	4.10	2005024-5	2007503	-(9)	-(9)	2002533-2	2002533-1
2006775-1	Elec. Lock	4.10	2005024-5	2007503	-(9)	-(9)	2006484-2	2006484-1
2006777-1	Elec. Lock	4.10	2005024-5	2007503	-(9)	-(9)	2006484-2	2006484-1
2007654-1	Elec. Lock	4.10	2005024-5	2007503	-(9)	-(9)	2006484-2	2006484-1
2007655-1	Elec. Lock	4.10	2005024-5	2007503	-(9)	-(9)	2006484-2	2006484-1
2008265-1	Elec. Lock	4.10	2005024-5	2007503	-(9)	-(9)	2006484-2	2006484-1
<b>2007 JK (Dead Front)</b>								
2004273								
2004274-1								
2005189-1								
2006778								
2007656								
<b>2008 JK</b>								
2010364-1	Elec. Lock	4.10	2005024-5	2007503	-(9)	-(9)	2006484-2	2006484-1
2010365-1	Elec. Lock	4.10	2005024-5	2007503	-(9)	-(9)	2006484-2	2006484-1
2011942-1	Elec. Lock	4.10	2005024-5	2007503	-(9)	-(9)	2006484-2	2006484-1
2011943-1	Elec. Lock	4.10	2005024-5	2007503	-(9)	-(9)	2006484-2	2006484-1
2012137-1	Elec. Lock	4.10	2005024-5	2007503	-(9)	-(9)	2002533-2	2002533-1
<b>2008 JK (Dead Front)</b>								
2010366-1								
2012139-1								
<b>2009 JK</b>								
2012138-1	Elec. Lock	4.10	2005024-5	2007503	-(9)	-(9)	2002533-2	2002533-1
2013391-1	Elec. Lock	4.10	2005024-5	2007503	-(9)	-(9)	2002533-2	2002533-1
<b>2009 JK (Dead Front)</b>								
2013392-1								
<b>2010-11 JK</b>								
2013390-1	Elec. Lock	4.10	2005024-5	2007503	-(9)	-(9)	2002533-2	2002533-1
<b>2011 JK</b>								
2014718-1	Elec. Lock	3.73	2013742-5	2007503	-(9)	-(9)	2002533-2	2002533-1
2015185-1	Elec. Lock	4.10	2005024-5	2007503	-(9)	-(9)	2002533-2	2002533-1
2015185-2	Elec. Lock	3.73	2013742-5	2007503	-(9)	-(9)	2002533-2	2002533-1
2015186	Elec. Lock	4.10	2005024-5	2007503	-(9)	-(9)	2002533-2	2002533-1
<b>2012 JK</b>								
2015396-1	Elec. Lock	4.10	2005024-5	2007503	-(9)	-(9)	2014169-2	2014169-1
2015396-2	Elec. Lock	3.73	2013742-5	2007503	-(9)	-(9)	2014169-2	2014169-1
2015397-1	Elec. Lock	4.10	2005024-5	2007503	-(9)	-(9)	2014169-2	2014169-1
<b>2012-14 JK</b>								
2018182-1	Elec. Lock	3.73	2013742-5	2007503	-(9)	-(9)	2014169-2	2014169-1
2018182-2	Elec. Lock	4.10	2005024-5	2007503	-(9)	-(9)	2014169-2	2014169-1
2018183-1	Elec. Lock	4.10	2005024-5	2007503	-(9)	-(9)	2014169-2	2014169-1
<b>2014-15 JK LHD</b>								
10021551	Elec. Lock	3.73	2013742-5	2007503	-(9)	-(9)	2014169-2	2014169-1
10021552	Elec. Lock	4.10	2005024-5	2007503	-(9)	-(9)	2014169-2	2014169-1

(7) See Ring Gear &amp; Pinion Kits in XGI Catalog for ratio &amp; tooth combinations.

(8) See Differential Case Assy Kits in XGI Catalog for spline data &amp; ratios.

(9) Serviced with complete differential case assembly kit only.



# Jeep 44 /216 Front with Collapsible Spacer Bill of Material Table

Axle			Axle Kits				Shaft & Joint Assy.	
Bill of Material	Diff. Type	Ratio	Ring Gear & Pinion Kit <sup>(7)</sup>	Differential			Right Hand Shaft Assy.	Left Hand Shaft Assy.
				Case Assy. Kit <sup>(8)</sup>	Case Kit	Inner Parts Kit		
<b>2014-15 JK RHD</b>								
10021554	Elec. Lock	4.10	2005024-5	2007503	-(9)	-(9)	2014169-2	2014169-1
<b>2016 JK LHD</b>								
10029503	Elec. Lock	3.73	2013742-5	2007503	-(9)	-(9)	2014169-2	2014169-1
10029504	Elec. Lock	4.10	2005024-5	2007503	-(9)	-(9)	2014169-2	2014169-1
<b>2016 JK RHD</b>								
10029505	Elec. Lock	4.10	2005024-5	2007503	-(9)	-(9)	2014169-2	2014169-1

(7) See Ring Gear & Pinion Kits in XGI Catalog for ratio & tooth combinations.

(8) See Differential Case Assy Kits in XGI Catalog for spline data & ratios.

(9) Serviced with complete differential case assembly kit only.



# Jeep 44 /216 Front with Collapsible Spacer Variable Parts Listing

Kits & Parts - Use With All Applications							
Description & Item Number (Refer to "Exploded View" at the front of this section)			Bills of Material				
			10021551	10021552	10021554	10029503	10029504
			<b>10021551</b>				
1	Bearing Installation Kit	-	2017088	2017088	2017088	2017088	2017088
2	Master Overhaul Kit	-	2017106	2017106	2017106	2017106	2017106
3	Collapsible Spacer	6	10009299	10009299	10009299	10009299	10009299
4	Plug - Carrier Cover	14	43180	43180	43180	43180	43180
5	Seal & Guide Tube	22	2013455	2013455	2013455	2013455	2013455
6	Bolt - Hex (qty 6)	28	2016794	2016794	2016794	2016794	2016794
7	Guide - Axle Shaft	30	2005601	2005601	2005601	2005601	2005601
8	Slinger - Inner Shaft	31	51707	51707	51707	51707	51707
9	Nut - Hex	33	2008564	2008564	2008564	2008564	2008564
			<b>10029505</b>	<b>2004273</b>	<b>2004274</b>	<b>2005187</b>	<b>2005188</b>
1	Bearing Installation Kit	-	2017088	-	-	2017088	2017088
2	Master Overhaul Kit	-	2017106	-	-	2017106	2017106
3	Collapsible Spacer	6	10009299	50614	50614	50614	50614
4	Plug - Carrier Cover	14	43180	43181	43181	43181	43181
5	Seal & Guide Tube	22	2013455	54381	54381	54381	54381
6	Bolt - Hex (qty 6)	28	2016794	47827	47827	47827	47827
7	Guide - Axle Shaft	30	2005601	-	-	2003627	2003627
8	Slinger - Inner Shaft	31	51707	-	-	51707	51707
9	Nut - Hex	33	2008564	2002954	2002954	2002954	2002954
			<b>2005189</b>	<b>2006775</b>	<b>2006777</b>	<b>2006778</b>	<b>2007654</b>
1	Bearing Installation Kit	-	-	2017088	2017088	-	2017088
2	Master Overhaul Kit	-	-	2017106	2017106	-	2017106
3	Collapsible Spacer	6	50614	50614	50614	50614	50614
4	Plug - Carrier Cover	14	43181	43181	43181	43181	43181
5	Seal & Guide Tube	22	54381	54381	54381	54381	54381
6	Bolt - Hex (qty 6)	28	47827	47827	47827	47827	47827
7	Guide - Axle Shaft	30	-	2005604	2005604	-	2005604
8	Slinger - Inner Shaft	31	-	2006979	2006979	-	2006979
9	Nut - Hex	33	2002954	2002954	2002954	2002954	2002954
			<b>2007655</b>	<b>2007656</b>	<b>2008265</b>	<b>2010364</b>	<b>2010365</b>
1	Bearing Installation Kit	-	2017088	-	2017088	2017088	2017088
2	Master Overhaul Kit	-	2017106	-	2017106	2017106	2017106
3	Collapsible Spacer	6	50614	50614	50614	50614	50614
4	Plug - Carrier Cover	14	43181	43181	43181	43181	43181
5	Seal & Guide Tube	22	54381	54381	54381	54381	54381
6	Bolt - Hex (qty 6)	28	47827	47827	47827	47827	47827
7	Guide - Axle Shaft	30	2005604	-	2005604	2005604	2005604
8	Slinger - Inner Shaft	31	2006979	-	2006979	2006979	2006979
9	Nut - Hex	33	2002954	2002954	2002954	2002954	2002954
			<b>2010366</b>	<b>2011942</b>	<b>2011943</b>	<b>2012137</b>	<b>2012138</b>
1	Bearing Installation Kit	-	-	2017088	2017088	2017088	2017088
2	Master Overhaul Kit	-	-	2017106	2017106	2017106	2017106
3	Collapsible Spacer	6	50614	50614	50614	50614	50614
4	Plug - Carrier Cover	14	43181	43181	43181	43181	43181
5	Seal & Guide Tube	22	54381	54381	54381	54381	54381
6	Bolt - Hex (qty 6)	28	47827	47827	47827	47827	47827
7	Guide - Axle Shaft	30	-	2005604	2005604	2010374	2010374
8	Slinger - Inner Shaft	31	-	2006979	2006979	51707	51707
9	Nut - Hex	33	2002954	2002954	2002954	2002954	2002954

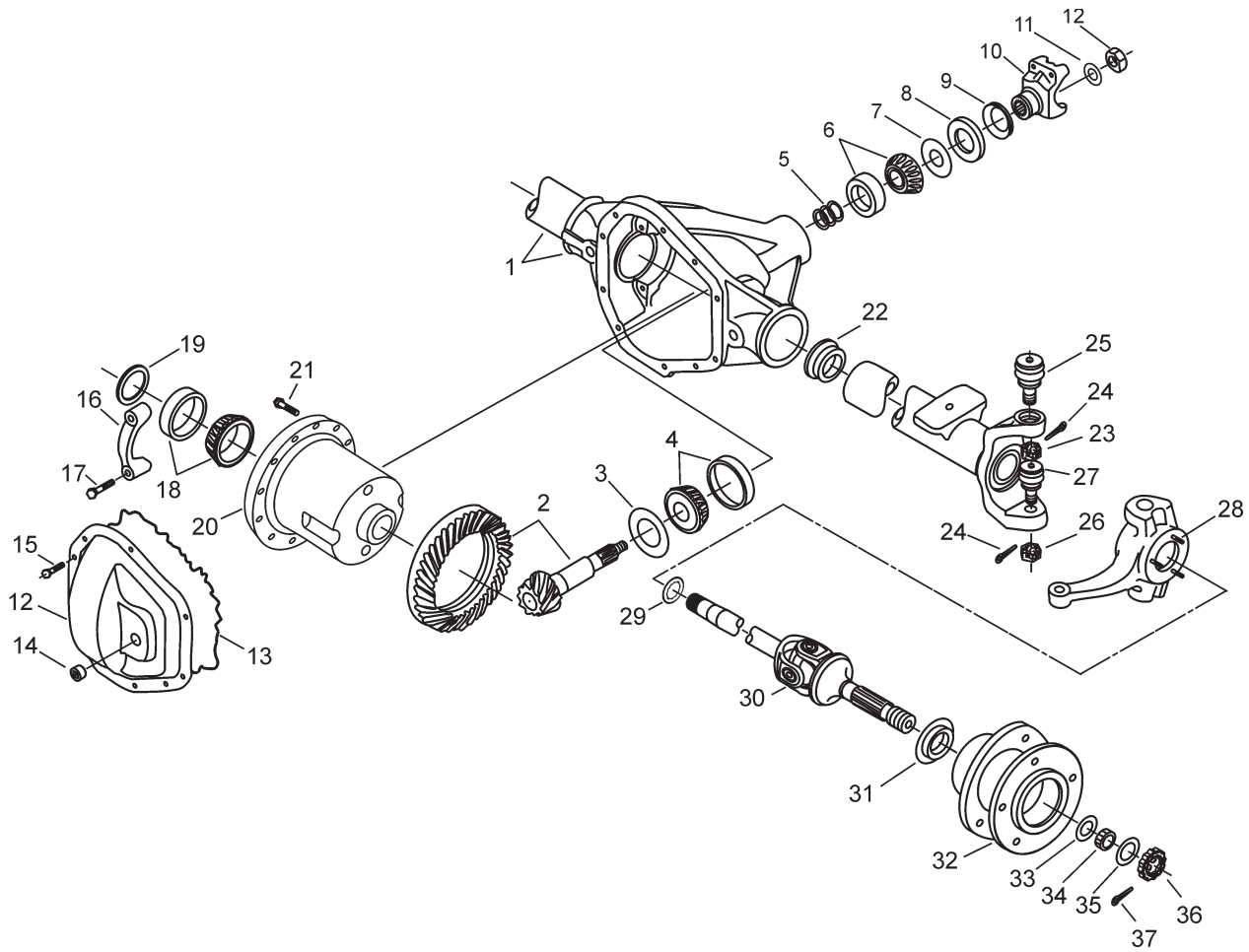
# Jeep 44 /216 Front with Collapsible Spacer Variable Parts Listing

Kits & Parts - Use With All Applications							
	Description & Item Number (Refer to "Exploded View" at the front of this section)		Bills of Material				
			2012139	2013390	2013391	2013392	2014718
1	Bearing Installation Kit	-	-	2017088	2017088	-	2017088
2	Master Overhaul Kit	-	-	2017106	2017106	-	2017106
3	Collapsible Spacer	6	50614	50614	50614	50614	50614
4	Plug - Carrier Cover	14	43181	43181	43181	43181	43181
5	Seal & Guide Tube	22	54381	54381	54381	54381	54381
6	Bolt - Hex (qty 6)	28	47827	47827	47827	47827	47827
7	Guide - Axle Shaft	30	-	2010374	2010374	-	2005601
8	Slinger - Inner Shaft	31	-	51707	51707	-	51707
9	Nut - Hex	33	2002954	2002954	2002954	2002954	2002954
			<b>2015185</b>	<b>2015186</b>	<b>2015396</b>	<b>2015397</b>	<b>2018182</b>
1	Bearing Installation Kit	-	2017088	2017088	2017088	2017088	2017088
2	Master Overhaul Kit	-	2017106	2017106	2017106	2017106	2017106
3	Collapsible Spacer	6	50614	50614	50614	50614	50614
4	Plug - Carrier Cover	14	43181	43181	43181	43181	43181
5	Seal & Guide Tube	22	54381	54381	2013455	54381	2013455
6	Bolt - Hex (qty 6)	28	47827	47827	2016794	2016794	2016794
7	Guide - Axle Shaft	30	2005601	2005601	2005601	2005601	2005601
8	Slinger - Inner Shaft	31	51707	51707	51707	51707	51707
9	Nut - Hex	33	2002954	2002954	2008564	2008564	2008564
			<b>2018183</b>				
1	Bearing Installation Kit	-	2017088				
2	Master Overhaul Kit	-	2017106				
3	Collapsible Spacer	6	50614				
4	Plug - Carrier Cover	14	43181				
5	Seal & Guide Tube	22	2013455				
6	Bolt - Hex (qty 6)	28	2016794				
7	Guide - Axle Shaft	30	2005601				
8	Slinger - Inner Shaft	31	51707				
9	Nut - Hex	33	2008564				

# NOTES

**Model 44 /216  
Front Axles for  
JK (Wrangler)  
TJ (Wrangler)**

# Jeep 44 /216 Front Exploded View



# Jeep 44 /216 Front Parts Listing

ITEM NO.	PART NUMBER	DESCRIPTION	ITEM NO.	PART NUMBER	DESCRIPTION
1	-(3)	Housing - Axle Service	19	708193	PKG - Diff Bearing Shim
2	-(1)	Drive Pinion & Gear Assembly	20	-(1)	Case - Differential
3	44035- (5)	Slinger - Inner Pinion Bearing	21	45784-2	Drive Gear Bolt (qty 10)
	2017085	Bearing Installation Kit	22	54381	Seal & Guide Tube
	2017101	Master Overhaul Kit		706944X	KIT - Socket Assembly (inc. 23, 24, 25, 26, 27)
4	706031X	Kit - Inner Pinion Bearing	23	40584	Nut - Hex Slotted
5	701108X	Outer Pinion Shims	24	500024-6	Cotter Pin
6	706030X	KIT - Outer Pinion Bearing	25	40916	Socket Assembly (upper)
7	13575	Slinger - Pinion Bearing Outer	26	43682	Nut - Hex Jam
8	50531	Seal - Pinion Oil	27	40583	Socket Assembly (lower)
9	47762	Oil Seal	28	41027	Bolt - Hex (qty 6)
10	2-4-7791-1	End Yoke Assembly	29	2003627	Guide - Axle Shaft
11	50560	Pinion Nut	30	-(1)	Shaft & Joint Assembly
	708175	KIT - Carrier Cover (inc. 12,14,15)	31	46988	Slinger - Spindle Yoke
12	42960-2	Carrier Cover	32	-(3)	Hub Assembly
13	34685	Gasket - Carrier Cover	33	40596	Washer - Flat
	38615	RTV Silicone Sealant	34	40597	Nut - Hex
14	43181	Plug - Carrier Cover	35	45749	Washer - Spring Wave
15	34279	Bolt - Carrier Cover (qty 10)	36	40598	Nut - Retainer
16	-(3)	Differential Bearing Cap	37	500025-10	Cotter Pin
17	48632-1	Bolt - Differential Bearing Cap			
18	706032X	KIT - Differential Bearing			

- (1) See "Bill of Material Table" on next page  
(2) See "Variable Parts Table" within this section  
(3) Contact Vehicle Manufacturer  
(4) Not Sold Separately  
(5) See shim table in the back of this catalog

# Jeep 44 /216 Front Bill of Material Table

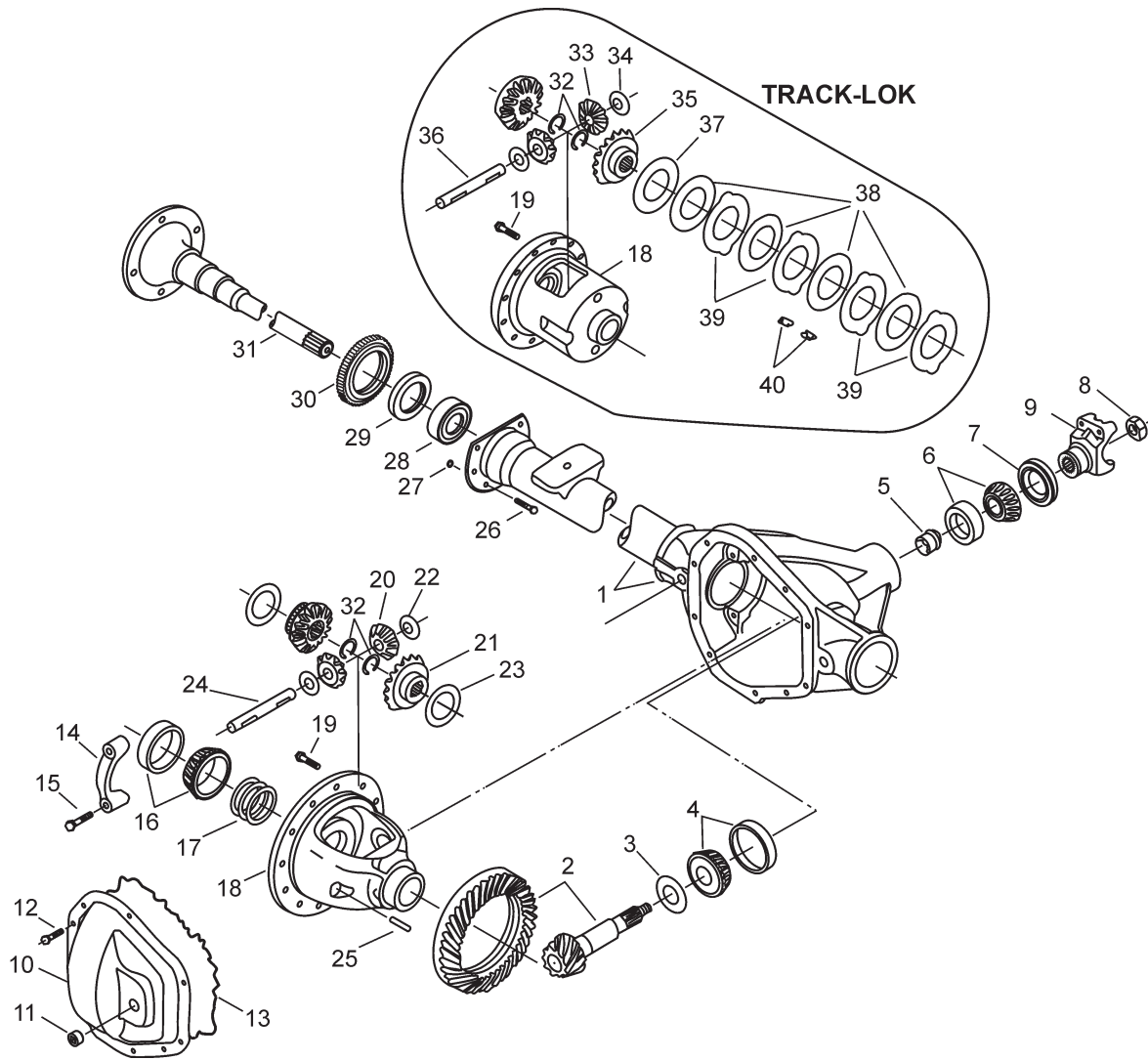
Axle			Axle Kits				Shaft & Joint Assy.	
Bill of Material	Diff. Type	Ratio	Ring Gear & Pinion Kit <sup>(7)</sup>	Differential			Right Hand Shaft Assy.	Left Hand Shaft Assy.
				Case Assy. Kit <sup>(8)</sup>	Case Kit	Inner Parts Kit		
<b>2003-04 TJ</b>								
611297	Air Locker	4.10	85106-6	84650	- (9)	- (9)	84378-1	84378-2
611315	Air Locker	4.10	85106-6	84650	- (9)	- (9)	84378-1	84378-2
611319	Air Locker	4.10	85106-6	84650	- (9)	- (9)	84378-1	84378-2
611354	Air Locker	4.10	85106-6	84650	- (9)	- (9)	84378-1	84378-2
<b>2004-05 TJ</b>								
2002700	Air Locker	4.10	85106-6	84650	- (9)	- (9)	84378-1	84378-2
<b>2004-06 TJ</b>								
2005781	Air Locker	4.10	85106-6	84650	- (9)	- (9)	84378-1	84378-2
<b>2006 TJ w/ABS</b>								
2006970	Air Locker	4.10	85106-6	84650	- (9)	- (9)	84378-1	84378-2

- (7) See Ring Gear & Pinion Kits in XGI Catalog for ratio & tooth combinations.
- (8) See Differential Case Assy Kits in XGI Catalog for spline data & ratios.
- (9) Serviced with complete differential case assembly kit only.



**Model 35 /194  
Rear Axles for  
TJ (Wrangler)  
XJ (Cherokee)**

# Jeep 35 /194 Rear Exploded View



# Jeep 35 /194 Rear Parts Listing

ITEM NO.	PART NUMBER	DESCRIPTION	ITEM NO.	PART NUMBER	DESCRIPTION
1	-(3)	Housing - Axle Service	20	-(2)	Pinion - Differential (std)
2	-(1)	Drive Pinion & Gear Assembly	21	-(2)	Gear - Differential (std)
3	41459- (5)	Slinger - Variable Thicknesses	22	34096	Thrustwasher - Diff Pinion (std)
	-(2)	Bearing Installation Kit	23	34095	Thrustwasher - Diff Gear (std)
	-(2)	Master Overhaul Kit	24	44594	Shaft - Differential (std)
4	707162X	KIT - Inner Pinion Bearing	25	43245	Pin - Shaft Lock
5	42102	Collapsible Spacer	26	-(3)	Bolt - Brake Mounting
6	706894X	KIT - Outer Pinion Bearing	27	-(3)	Nut - Brake Mounting
7	43085	Seal - Pinion Oil	28	566121	Wheel Bearing Assembly
8	44189	Pinion Nut	29	46485	Wheel Seal
9	-(2)	End Yoke	30	-(4)	Tone Ring (ABS only)
	74208X	KIT - Carrier Cover (inc items 10, 11, 12)	31	-(1)	Shaft - Axle Flange Drive
10	43225	Carrier Cover	32	43221	C-Clip
11	51489	Plug - Carrier Cover	33	-(4)	Pinion - Differential (t/l)
12	34279	Bolt - Carrier Cover (qty 10)	34	40266	Thrustwasher - Diff Pinion (t/l)
13	38615	RTV Silicone Sealant	35	-(4)	Gear - Differential (t/l)
14	-(3)	Differential Bearing Cap	36	42990	Shaft - Differential (t/l)
15	48631-1	Bolt - Differential Bearing Cap		707165X	KIT - Diff Plate & Disc (t/l) (inc items 37, 38, 39, 40, 25)
16	706016X	KIT - Differential Bearing	37	-(4)	Plate - Preload Spacer
17	2015139(5)	Differential Spacer (2 required) (Variable Thicknesses)	38	-(4)	Disc - Differential
18	-(1)	Case - Differential	39	-(4)	Plate - Differential Pressure
19	-(2)	Bolt - Drive Gear/Package	40	40835	Clip - Diff Clutch Retainer

- (1) See "Bill of Material Table" on next page  
(2) See "Variable Parts Table" within this section  
(3) Contact Vehicle Manufacturer  
(4) Not Sold Separately  
(5) See shim table in the back of this catalog

# Jeep 35 /194 Rear Bill of Material Table

Axle			Axle Kits				Shaft & Joint Assy.	
Bill of Material	Diff. Type	Ratio	Ring Gear & Pinion Kit <sup>(7)</sup>	Differential			Right Hand Shaft Assy.	Left Hand Shaft Assy.
				Case Assy. Kit <sup>(8)</sup>	Case Kit	Inner Parts Kit		
<b>1997 1/2-2000 TJ w/ABS</b>								
605992-1	Standard	3.07	707244-1X	75053X	44649	707321X	74356-1X	74356-2X
605992-2	Trac Lok	3.07	707244-1X	74215X	707242X	708184	74356-1X	74356-2X
605992-3	Standard	3.55	707244-7X	75054X	44590	707321X	74356-1X	74356-2X
605992-4	Trac Lok	3.55	707244-7X	74210X	707243X	708184	74356-1X	74356-2X
605992-5	Standard	3.73	707244-8X	75054X	44590	707321X	74356-1X	74356-2X
605992-6	Trac Lok	3.73	707244-8X	74210X	707243X	708184	74356-1X	74356-2X
605992-7	Standard	4.11	707244-4X	75054X	44590	707321X	74356-1X	74356-2X
605992-8	Trac Lok	4.11	707244-4X	74210X	707243X	708184	74356-1X	74356-2X
<b>1997 1/2-2000 TJ LHD</b>								
605993-1	Standard	3.07	707244-1X	75053X	44649	707321X	73624-1X	73624-2X
605993-2	Trac Lok	3.07	707244-1X	74215X	707242X	708184	73624-1X	73624-2X
605993-3	Standard	3.55	707244-7X	75054X	44590	707321X	73624-1X	73624-2X
605993-4	Trac Lok	3.55	707244-7X	74210X	707243X	708184	73624-1X	73624-2X
605993-5	Standard	4.11	707244-4X	75054X	44590	707321X	73624-1X	73624-2X
605993-6	Trac Lok	4.11	707244-4X	74210X	707243X	708184	73624-1X	73624-2X
605993-7	Standard	3.73	707244-8X	75054X	44590	707321X	73624-1X	73624-2X
605993-8	Trac Lok	3.73	707244-8X	74210X	707243X	708184	73624-1X	73624-2X
<b>1999-2000 XJ</b>								
606195-1	Trac Lok	3.55	707244-7X	74210X	707243X	708184	73624-1X	73624-2X
606196-1	Standard	3.73	707244-8X	75054X	44590	707321X	73624-1X	73624-2X
606196-2	Trac Lok	3.73	707244-8X	74210X	707243X	708184	73624-1X	73624-2X
606196-3	Trac Lok	3.07	707244-1X	74215X	707242X	708184	73624-1X	73624-2X
<b>1999-2000 XJ w/ABS</b>								
606193-1	Standard	3.55	707244-7X	75054X	44590	707321X	74356-1X	74356-2X
606193-2	Trac Lok	3.55	707244-7X	74210X	707243X	708184	74356-1X	74356-2X
606197-1	Standard	3.07	707244-1X	75053X	44649	707321X	74356-1X	74356-2X
606197-2	Trac Lok	3.07	707244-1X	74215X	707242X	708184	74356-1X	74356-2X
606198-1	Trac Lok	3.73	707244-8X	74210X	707243X	708184	74356-1X	74356-2X
<b>1999-2001 XJ w/ABS</b>								
606194-1	Trac Lok	3.55	707244-7X	74210X	707243X	708184	74356-1X	74356-2X
<b>2000-01 XJ</b>								
606316	Trac Lok	3.55	707244-7X	74210X	707243X	708184	73624-1X	73624-2X
<b>2001 TJ w/ABS</b>								
606563-1	Standard	3.07	707244-1X	75053X	44649	707321X	74356-1X	74356-2X
606563-6	Trac Lok	3.73	707244-8X	74210X	707243X	708184	74356-1X	74356-2X
<b>2001 TJ LHD</b>								
606564-1	Standard	3.07	707244-1X	75053X	44649	707321X	73624-1X	73624-2X
606564-2	Trac Lok	3.07	707244-1X	74215X	707242X	708184	73624-1X	73624-2X
606564-5	Standard	4.11	707244-4X	75054X	44590	707321X	73624-1X	73624-2X
606564-6	Trac Lok	4.11	707244-4X	74210X	707243X	708184	73624-1X	73624-2X
606564-7	Standard	3.73	707244-8X	75054X	44590	707321X	73624-1X	73624-2X
606564-8	Trac Lok	3.73	707244-8X	74210X	707243X	708184	73624-1X	73624-2X
<b>2001 WJ</b>								
606716	Trac Lok	3.55	76280-6	708110	708137	708184	73624-1X	73624-2X

(7) See Ring Gear & Pinion Kits in XGI Catalog for ratio & tooth combinations.

(8) See Differential Case Assy Kits in XGI Catalog for spline data & ratios.

(9) Serviced with complete differential case assembly kit only.

# Jeep 35 /194 Rear Bill of Material Table

Axle			Axle Kits				Shaft & Joint Assy.	
Bill of Material	Diff. Type	Ratio	Ring Gear & Pinion Kit <sup>(7)</sup>	Differential			Right Hand Shaft Assy.	Left Hand Shaft Assy.
				Case Assy. Kit <sup>(8)</sup>	Case Kit	Inner Parts Kit		
<b>2001 XJ</b>								
606559-1	Trac Lok	3.55	707244-7X	74210X	707243X	708184	73624-1X	73624-2X
606560-2	Trac Lok	3.73	707244-8X	74210X	707243X	708184	73624-1X	73624-2X
606560-3	Trac Lok	3.07	707244-1X	74215X	707242X	708184	73624-1X	73624-2X
606651-1	Trac Lok	3.55	76280-6	708110	708137	708184	73624-1X	73624-2X
606651-2	Standard	3.55	76280-6	80880	708142	707321X	73624-1X	73624-2X
<b>2001 XJ w/ABS</b>								
606557-1	Standard	3.55	707244-7X	75054X	44590	707321X	74356-1X	74356-2X
606557-2	Trac Lok	3.55	707244-7X	74210X	707243X	708184	74356-1X	74356-2X
606561-1	Standard	3.07	707244-1X	75053X	44649	707321X	74356-1X	74356-2X
606561-2	Trac Lok	3.07	707244-1X	74215X	707242X	708184	74356-1X	74356-2X
606562-1	Trac Lok	3.73	707244-8X	74210X	707243X	708184	74356-1X	74356-2X
606649-1	Standard	3.55	76280-6	80880	708142	707321X	74356-1X	74356-2X
606649-2	Trac Lok	3.55	76280-6	708110	708137	708184	74356-1X	74356-2X
606650	Trac Lok	3.55	76280-6	708110	708137	708184	74356-1X	74356-2X
606653-1	Standard	3.07	84118-5	708141	708140	707321X	74356-1X	74356-2X
606653-2	Trac Lok	3.07	84118-5	708138	708139	708184	74356-1x	74356-2x
<b>2001 XJ Diesel</b>								
606652-1	Trac Lok	3.73	76281-7	708110	708137	708184	73624-1X	73624-2X
606652-2	Trac Lok	3.07	84118-5	708138	708139	708184	73624-1X	73624-2X
<b>2001 XJ Diesel w/ABS</b>								
606654	Trac Lok	3.73	76281-7	708110	708137	708184	74356-1X	74356-2X
<b>2001-02 TJ w/ABS</b>								
606655-1	Standard	3.07	84118-5	708141	708140	707321X	74356-1X	74356-2X
606655-2	Trac Lok	3.73	76281-7	708183	708185	708184	74356-1X	74356-2X
<b>2001-02 TJ LHD</b>								
606656-1	Standard	3.07	84118-5	708141	708140	707321X	73624-1X	73624-2X
606656-2	Trac Lok	3.07	84118-5	708138	708139	708184	73624-1X	73624-2X
606656-3	Standard	4.11	80613-6	80880	708142	707321X	73624-1X	73624-2X
606656-4	Trac Lok	4.11	80613-6	708110	708137	708184	73624-1X	73624-2X
606656-5	Standard	3.73	76281-7	80880	708142	707321X	73624-1X	73624-2X
606656-6	Trac Lok	3.73	76281-7	708183	708185	708184	73624-1X	73624-2X
606656-7	Standard	4.56	85071-5	80880	708142	707321X	73624-1X	73624-2X
<b>2003 TJ w/ABS</b>								
606853-1	Standard	3.07	84118-5	708141	708140	707321X	85234-1	85234-2
606853-2	Trac Lok	3.73	76281-7	708183	708185	708184	85234-1	85234-2
606853-3	Standard	3.73	76281-7	708109	708142	707321X	85234-1	85234-2
<b>2003-05 TJ LHD</b>								
606854-1	Standard	3.07	84118-5	708141	708140	707321X	85235-1	85235-2
606854-2	Trac Lok	3.07	84118-5	708138	708139	708184	85235-1	85235-2
606854-3	Standard	4.11	80613-6	708109	708142	707321X	85235-1	85235-2
606854-4	Standard	3.73	76281-7	708109	708142	707321X	85235-1	85235-2
606854-5	Trac Lok	3.73	76281-7	708183	708185	708184	85235-1	85235-2
606854-6	Standard	4.56	85071-5	708109	708142	707321X	85235-1	85235-2
606854-7	Trac Lok	4.11	80613-6	708183	708185	708184	85235-1	85235-2
607003-1	Standard	4.55	85071-5	708109	708142	707321x	85235-1	85235-2

(7) See Ring Gear &amp; Pinion Kits in XGI Catalog for ratio &amp; tooth combinations.

(8) See Differential Case Assy Kits in XGI Catalog for spline data &amp; ratios.

(9) Serviced with complete differential case assembly kit only.

# Jeep 35 /194 Rear Bill of Material Table

Axle			Axle Kits				Shaft & Joint Assy.	
Bill of Material	Diff. Type	Ratio	Ring Gear & Pinion Kit <sup>(7)</sup>	Differential			Right Hand Shaft Assy.	Left Hand Shaft Assy.
				Case Assy. Kit <sup>(8)</sup>	Case Kit	Inner Parts Kit		
<b>2006 TJ LHD</b>								
2006230-1	Standard	3.07	84118-5	708141	708140	707321X	85235-1	85235-2
2006230-2	Standard	3.07	84118-5	708141	708140	707321X	85235-1	85235-2
2006230-3	Trac Lok	3.07	84118-5	708138	708139	708184	85235-1	85235-2
2006230-4	Trac Lok	3.07	84118-5	708138	708139	708184	85235-1	85235-2
2006230-5	Standard	3.73	76281-7	708109	708142	707321X	85235-1	85235-2
2006230-6	Standard	3.73	76281-7	708109	708142	707321X	85235-1	85235-2
2006230-7	Trac Lok	3.73	76281-7	708183	708185	708184	85235-1	85235-2
2006230-8	Trac Lok	3.73	76281-7	708183	708185	708184	85235-1	85235-2

(7) See Ring Gear & Pinion Kits in XGI Catalog for ratio & tooth combinations.

(8) See Differential Case Assy Kits in XGI Catalog for spline data & ratios.

(9) Serviced with complete differential case assembly kit only.

# Jeep 35 /194 Rear Variable Parts Listing

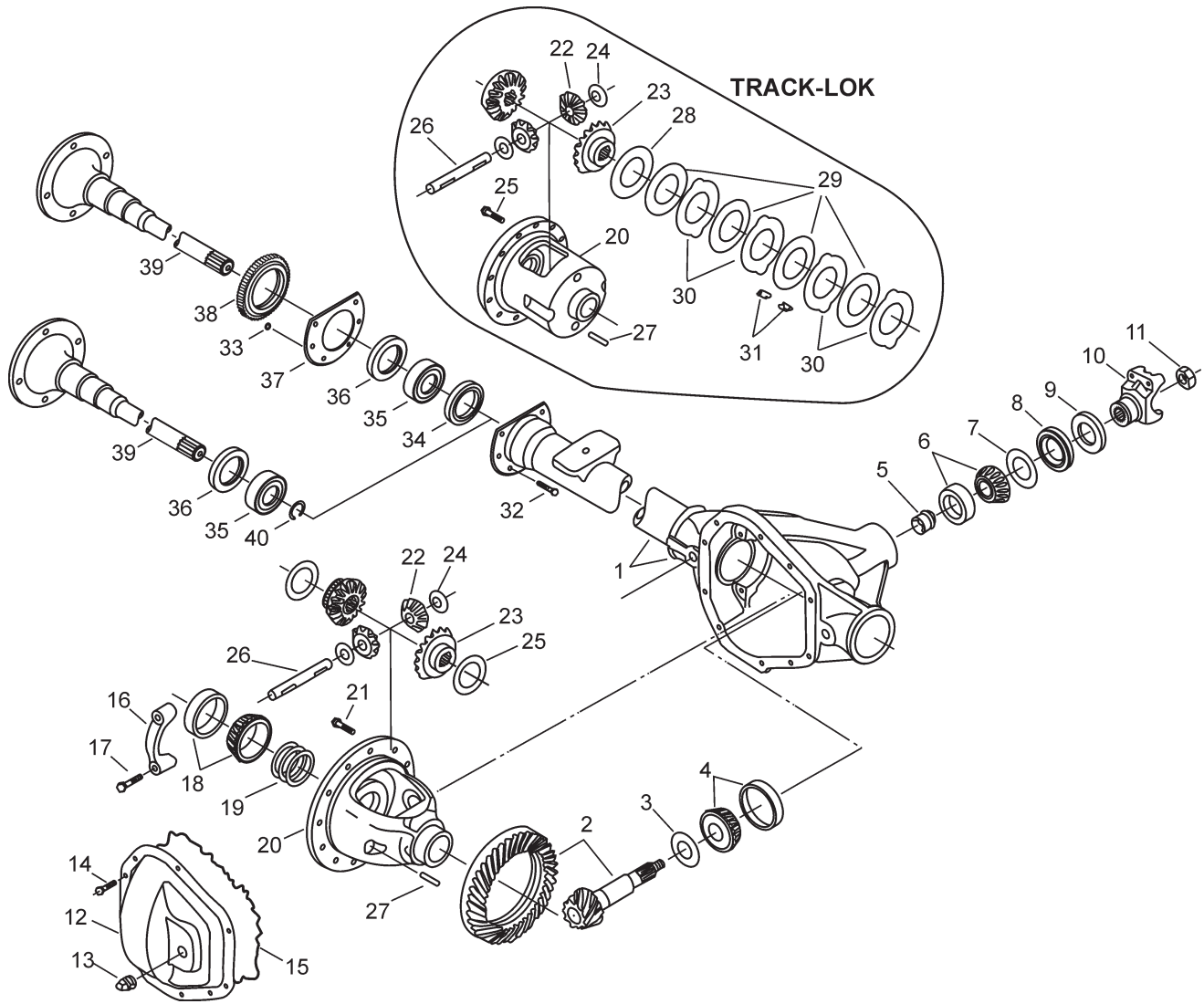
Kits & Parts - Use With All Applications							
Description & Item Number (Refer to "Exploded View" at the front of this section)			Bills of Material				
			2006230	605992	605993	606193	606194
1	Bearing Installation Kit	-	2017137	-	2017137	2017137	2017137
2	Master Overhaul Kit	-	2017145	-	2017141	2017141	2017141
3	End Yoke	9	2-4-7991-1	2-4-7991-1	2-4-7991-1	2-4-8311-1	2-4-8311-1
4	Bolt - Drive Gear/Package	19	45784-2	41221	41221	41221	41221
5	Pinion - Differential (std)	20	51451	45787	45787	45787	45787
6	Gear - Differential (std)	21	54873	45786	45786	45786	45786
			<b>606195</b>	<b>606196</b>	<b>606197</b>	<b>606198</b>	<b>606316</b>
1	Bearing Installation Kit	-	2017137	2017137	2017137	2017137	2017137
2	Master Overhaul Kit	-	2017141	2017141	2017141	2017141	2017141
3	End Yoke	9	2-4-8311-1	2-4-7631-1	2-4-7631-1	2-4-7631-1	2-4-7631-1
4	Bolt - Drive Gear/Package	19	41221	41221	41221	41221	41221
5	Pinion - Differential (std)	20	45787	45787	45787	45787	45787
6	Gear - Differential (std)	21	45786	45786	45786	45786	45786
			<b>606557</b>	<b>606559</b>	<b>606560</b>	<b>606561</b>	<b>606562</b>
1	Bearing Installation Kit	-	-	-	-	-	-
2	Master Overhaul Kit	-	-	-	-	-	-
3	End Yoke	9	2-4-8311-1	2-4-8311-1	2-4-7631-1	2-4-7631-1	2-4-7631-1
4	Bolt - Drive Gear/Package	19	41221	41221	41221	41221	41221
5	Pinion - Differential (std)	20	45787	45787	45787	45787	45787
6	Gear - Differential (std)	21	45786	45786	45786	45786	45786
			<b>606563</b>	<b>606564</b>	<b>606649</b>	<b>606650</b>	<b>606651</b>
1	Bearing Installation Kit	-	2017137	-	-	-	-
2	Master Overhaul Kit	-	2017141	-	-	-	-
3	End Yoke	9	2-4-7991-1	2-4-7991-1	2-4-8311-1	2-4-8311-1	2-4-8311-1
4	Bolt - Drive Gear/Package	19	41221	41221	701071-10	45784-2	701071-10
5	Pinion - Differential (std)	20	45787	45787	45787	45787	45787
6	Gear - Differential (std)	21	45786	45786	45786	45786	45786
			<b>606652</b>	<b>606653</b>	<b>606654</b>	<b>606655</b>	<b>606656</b>
1	Bearing Installation Kit	-	-	-	-	2017137	-
2	Master Overhaul Kit	-	-	-	-	2017141	-
3	End Yoke	9	2-4-7631-1	2-4-7631-1	2-4-7631-1	2-4-7991-1	2-4-7991-1
4	Bolt - Drive Gear/Package	19	701071-10	701071-10	701071-10	701071-10	701071-10
5	Pinion - Differential (std)	20	45787	45787	45787	45787	45787
6	Gear - Differential (std)	21	45786	45786	45786	45786	45786
			<b>606716</b>	<b>606853</b>	<b>606854</b>	<b>607003</b>	
1	Bearing Installation Kit	-	2017140	2017137	2017137	2017137	
2	Master Overhaul Kit	-	2017144	2017145	2017145	2017145	
3	End Yoke	9	-	2-4-7991-1	2-4-7991-1	2-4-7991-1	
4	Bolt - Drive Gear/Package	19	45784-2	701071-10	701071-10	701071-10	
5	Pinion - Differential (std)	20	-	45787	45787	51451	
6	Gear - Differential (std)	21	-	45786	45786	54873	

# NOTES



**Model Super 35 /198  
Rear Axles for  
WJ (Grand Cherokee)  
KJ (Liberty)**

# Jeep Super 35/198 Rear Exploded View



# Jeep Super 35/198 Rear Parts Listing

ITEM NO.	PART NUMBER	DESCRIPTION	ITEM NO.	PART NUMBER	DESCRIPTION
1	-(3)	Housing - Axle Service		41599	Pinion - Differential (t/l)
2	-(1)	Drive Pinion & Gear Assembly	23	-(4)	Gear - Differential (std)
3	41459- (5)	Slinger - Variable Thicknesses		43234	Gear - Differential (t/l)
	2017140	Bearing Installation Kit	24	34096	Thrustwasher - Diff Pinion (std)
	2017144	Master Overhaul Kit		40266	Thrustwasher - Diff Pinion (t/l)
4	707162X	KIT - Inner Pinion Bearing	25	34095	Thrustwasher - Diff Gear (std)
5	48717	Collapsible Spacer	26	44594	Shaft - Differential (std)
6	706894X	KIT - Outer Pinion Bearing		42990	Shaft - Differential (t/l)
7	-(2)	Slinger - Pinion Oil Seal Outer	27	43245	Pin - Shaft Lock
8	49153	Seal - Pinion Oil		707165X	KIT - Diff Plate & Disc (t/l)
9	48008	Seal - Oil			(inc items 27, 28, 29, 30, 31)
10	-(2)	End Yoke/Companion Flange	28	-(4)	Plate - Preload Spacer
11	44189	Pinion Nut	29	-(4)	Disc - Differential
12	-(2)	Carrier Cover	30	-(4)	Plate - Differential Pressure
13	51489	Plug - Carrier Cover	31	40835	Clip - Diff Clutch Retainer
14	34279	Bolt - Carrier Cover (qty 10)	32	-(3)	Bolt - Brake Mounting
15	38615	RTV Silicone Sealant	33	-(3)	Nut - Brake Mounting
16	-(3)	Differential Bearing Cap	34	49766	Retainer Ring - Wheel Bearing
17	48631-1	Bolt - Differential Bearing Cap	35	566075	Wheel Bearing Assembly
18	706016X	KIT - Differential Bearing	36	47787	Seal - Outboard Shaft
19	42104- (5)	Diff. Spacer - variable thickness	37	-(2)	Oil Seal Retainer
20	-(1)	Case - Differential (std)	38	-(2)	Tone Ring (ABS only)
21	45784-2	Bolt - Drive Gear	39	-(1)	Shaft - Axle Flanged Drive
22	-(4)	Pinion - Differential (std)			

- (1) See "Bill of Material Table" on next page  
(2) See "Variable Parts Table" within this section  
(3) Contact Vehicle Manufacturer  
(4) Not Sold Separately  
(5) See shim table in the back of this catalog

# Jeep Super 35/198 Rear Bill of Material Table

Axle			Axle Kits				Shaft & Joint Assy.	
Bill of Material	Diff. Type	Ratio	Ring Gear & Pinion Kit <sup>(7)</sup>	Differential			Right Hand Shaft Assy.	Left Hand Shaft Assy.
				Case Assy. Kit <sup>(8)</sup>	Case Kit	Inner Parts Kit		
<b>1999-2000 WJ w/ABS</b>								
606005-1	Standard	3.55	84214-5	708109	708142	707321X	76467-3X	76467-4X
606005-2	Trac Lok	3.55	84214-5	708110	708137	708184	76467-3X	76467-4X
606005-3	Standard	3.73	84215-5	708109	708142	707321X	76467-3X	76467-4X
606005-4	Trac Lok	3.73	84215-5	708110	708137	708184	76467-3X	76467-4X
<b>2001 WJ w/ABS</b>								
606551-2	Standard	3.55	84214-5	708109	708142	707321X	76467-3X	76467-4X
606551-3	Standard	3.73	84215-5	708109	708142	707321X	76467-3X	76467-4X
606551-4	Trac Lok	3.31	80620-5	708110	708137	708184	76467-3X	76467-4X
606551-5	Trac Lok	3.55	84214-5	708110	708137	708184	76467-3X	76467-4X
606551-6	Trac Lok	3.73	84215-5	708110	708137	708184	76467-3X	76467-4X
<b>2002 KJ w/ABS</b>								
606303	Standard	3.73	76281-6	708186	-(9)	708187	80666-1	80666-2
606304	Standard	4.10	76793-5X	708186	-(9)	708187	80666-1	80666-2
606305	Trac Lok	4.10	76793-5X	708183	-(9)	708184	80666-1	80666-2
606528	Standard	3.73	76281-6	708186	-(9)	708187	80666-1	80666-2
606529	Standard	4.10	76793-5X	708186	-(9)	708187	80666-1	80666-2
606530	Trac Lok	4.10	76793-5X	708183	-(9)	708184	80666-1	80666-2
606531	Standard	3.73	76281-6	708186	-(9)	708187	80666-1	80666-2
606532	Standard	4.10	76793-5X	708186	-(9)	708187	80666-1	80666-2
606533	Trac Lok	4.10	76793-5X	708183	-(9)	708184	80666-1	80666-2
606723	Standard	3.73	76281-6	708186	-(9)	708187	80666-1	80666-2
606724	Standard	4.10	76793-5X	708186	-(9)	708187	80666-1	80666-2
606725	Trac Lok	4.10	76793-5X	708183	-(9)	708184	80666-1	80666-2
606735	Standard	3.73	76281-6	708186	-(9)	708187	80666-1	80666-2
606736	Standard	4.10	76793-5X	708186	-(9)	708187	80666-1	80666-2
606737	Trac Lok	4.10	76793-5X	708183	-(9)	708184	80666-1	80666-2
606753	Standard	3.73	76281-6	708186	-(9)	708187	80666-1	80666-2
606754	Standard	4.10	76793-5X	708186	-(9)	708187	80666-1	80666-2
606755	Trac Lok	4.10	76793-5X	708183	-(9)	708184	80666-1	80666-2
606770	Standard	3.73	76281-6	708186	-(9)	708187	80666-1	80666-2
606771	Standard	4.10	76793-5X	708186	-(9)	708187	80666-1	80666-2
606772	Trac Lok	4.10	76793-5X	708183	-(9)	708184	80666-1	80666-2
606855	Trac Lok	4.10	76793-5X	708183	-(9)	708184	80666-1	80666-2
<b>2003 KJ w/ABS</b>								
606639	Standard	3.73	76281-6	708186	-(9)	708187	84372-1	84372-2
606640	Standard	4.10	76793-5X	708186	-(9)	708187	84372-1	84372-2
606641	Trac Lok	4.10	76793-5X	708183	-(9)	708184	84372-1	84372-2
606738	Standard	3.73	76281-6	708186	-(9)	708187	84372-1	84372-2
606739	Standard	4.10	76793-5X	708186	-(9)	708187	84372-1	84372-2
606740	Trac Lok	4.10	76793-5X	708183	-(9)	708184	84372-1	84372-2
606761	Standard	3.73	76281-6	708186	-(9)	708187	84372-1	84372-2
606762	Standard	4.10	76793-5X	708186	-(9)	708187	84372-1	84372-2
606763	Trac Lok	4.10	76793-5X	708183	-(9)	708184	84372-1	84372-2
606784	Standard	3.73	76281-6	708186	-(9)	708187	84372-1	84372-2
606785	Standard	4.10	76793-5X	708186	-(9)	708187	84372-1	84372-2

**Continued on next page**

(7) See Ring Gear & Pinion Kits in XGI Catalog for ratio & tooth combinations.

(8) See Differential Case Assy Kits in XGI Catalog for spline data & ratios.

(9) Serviced with complete differential case assembly kit only.

# Jeep Super 35/198 Rear Bill of Material Table

Axle			Axle Kits				Shaft & Joint Assy.	
Bill of Material	Diff. Type	Ratio	Ring Gear & Pinion Kit <sup>(7)</sup>	Differential			Right Hand Shaft Assy.	Left Hand Shaft Assy.
				Case Assy. Kit <sup>(8)</sup>	Case Kit	Inner Parts Kit		
<b>2003 KJ w/ABS (Continued)</b>								
606786	Trac Lok	4.10	76793-5X	708183	-(9)	708184	84372-1	84372-2
606892	Standard	3.73	76281-6	708186	-(9)	708187	84372-1	84372-2
606893	Standard	4.10	76793-5X	708186	-(9)	708187	84372-1	84372-2
606894	Trac Lok	4.10	76793-5X	708183	-(9)	708184	84372-1	84372-2
<b>2003 WJ w/ABS</b>								
606969-3	Standard	3.73	84215-5	708109	708142	707321X	76467-3X	76467-4X
<b>2003-04 WJ w/ABS</b>								
606969-2	Standard	3.55	84214-5	708109	708142	707321X	76467-3X	76467-4X
<b>2004 KJ w/ABS</b>								
606901	Standard	3.73	76281-6	708186	-(9)	708187	84372-1	84372-2
606902	Standard	4.10	76793-5X	708186	-(9)	708187	84372-1	84372-2
606903	Trac Lok	4.10	76793-5X	708183	-(9)	708184	84372-1	84372-2

(7) See Ring Gear & Pinion Kits in XGI Catalog for ratio & tooth combinations.

(8) See Differential Case Assy Kits in XGI Catalog for spline data & ratios.

(9) Serviced with complete differential case assembly kit only.

# Jeep Super 35/198 Rear Variable Parts Listing

Kits & Parts - Use With All Applications							
Description & Item Number (Refer to "Exploded View" at the front of this section)			Bills of Material				
			606005	606303	606304	606305	606528
1	Slinger - Pinion Oil Seal Outer	7	50068	-	-	-	-
2	End Yoke/Companion Flange	10	2-4-7301-1	2-4-8311-1	2-4-8311-1	2-4-8311-1	2-4-8311-1
3	Carrier Cover	12	47415	47415	47415	47415	80763
4	Oil Seal Retainer	37	76466X	50588	50588	50588	50588
5	Tone Ring (ABS only)	38	48476	50580	50580	50580	50580
			<b>606529</b>	<b>606530</b>	<b>606531</b>	<b>606532</b>	<b>606533</b>
1	Slinger - Pinion Oil Seal Outer	7	-	-	-	-	-
2	End Yoke/Companion Flange	10	2-4-8311-1	2-4-8311-1	2-4-8311-1	2-4-8311-1	2-4-8311-1
3	Carrier Cover	12	47415	80763	80763	80763	80763
4	Oil Seal Retainer	37	50588	50588	50588	50588	50588
5	Tone Ring (ABS only)	38	50580	50580	50580	50580	50580
			<b>606551</b>	<b>606639</b>	<b>606640</b>	<b>606641</b>	<b>606723</b>
1	Slinger - Pinion Oil Seal Outer	7	50068	-	-	-	50068
2	End Yoke/Companion Flange	10	2-4-8311-1	2-4-8311-1	2-4-8311-1	2-4-8311-1	2-4-8311-1
3	Carrier Cover	12	47415	80763	80763	80763	80763
4	Oil Seal Retainer	37	76466X	51701	51701	51701	50588
5	Tone Ring (ABS only)	38	48476	50580	50580	50580	50580
			<b>606724</b>	<b>606725</b>	<b>606735</b>	<b>606736</b>	<b>606737</b>
1	Slinger - Pinion Oil Seal Outer	7	50068	50068	50068	50068	50068
2	End Yoke/Companion Flange	10	2-4-8311-1	2-4-8311-1	2-4-8311-1	2-4-8311-1	2-4-8311-1
3	Carrier Cover	12	80763	80763	80763	80763	80763
4	Oil Seal Retainer	37	50588	50588	50588	50588	50588
5	Tone Ring (ABS only)	38	50580	50580	50580	50580	50580
			<b>606738</b>	<b>606739</b>	<b>606740</b>	<b>606753</b>	<b>606754</b>
1	Slinger - Pinion Oil Seal Outer	7	50068	50068	50068	50068	50068
2	End Yoke/Companion Flange	10	2-4-8311-1	2-4-8311-1	2-4-8311-1	2-3-8311-1	2-4-8311-1
3	Carrier Cover	12	80763	80763	80763	80763	80763
4	Oil Seal Retainer	37	50588	51701	51701	51701	50588
5	Tone Ring (ABS only)	38	50580	50580	50580	50580	50580
			<b>606755</b>	<b>606761</b>	<b>606762</b>	<b>606763</b>	<b>606770</b>
1	Slinger - Pinion Oil Seal Outer	7	50068	50068	50068	50068	50068
2	End Yoke/Companion Flange	10	2-4-8311-1	2-4-8311-1	2-4-8311-1	2-4-8311-1	2-4-8311-1
3	Carrier Cover	12	80763	80763	80763	80763	80763
4	Oil Seal Retainer	37	50588	50588	51701	51701	51701
5	Tone Ring (ABS only)	38	50580	50580	50580	50580	50580
			<b>606771</b>	<b>606772</b>	<b>606784</b>	<b>606785</b>	<b>606786</b>

# Jeep Super 35/198 Rear Variable Parts Listing



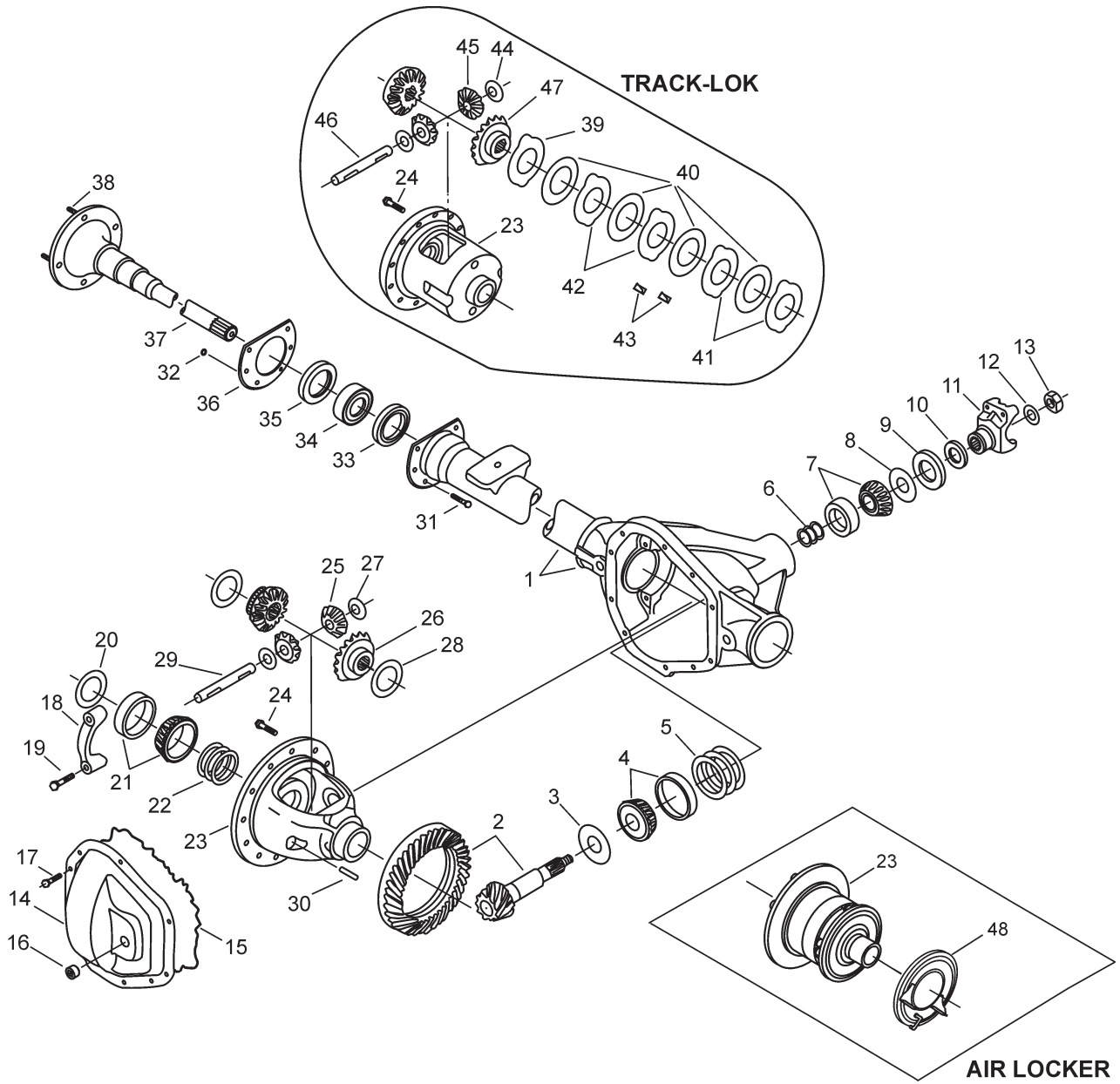
Kits & Parts - Use With All Applications							
Description & Item Number (Refer to "Exploded View" at the front of this section)			Bills of Material				
			606855	606892	606893	606894	606901
1	Slinger - Pinion Oil Seal Outer	7	50068	50068	50068	50068	50068
2	End Yoke/Companion Flange	10	2-4-8311-1	2-4-8311-1	54260	54260	2-4-8311-1
3	Carrier Cover	12	80763	80763	80763	80763	80763
4	Oil Seal Retainer	37	50588	51701	51701	51701	51701
5	Tone Ring (ABS only)	38	50580	50580	50580	50580	50580
			<b>606902</b>	<b>606903</b>	<b>606969</b>		
1	Slinger - Pinion Oil Seal Outer	7	50068	50068	50068		
2	End Yoke/Companion Flange	10	54260	54260	2-4-7301-1		
3	Carrier Cover	12	80763	80763	47415		
4	Oil Seal Retainer	37	51701	51701	76466X		
5	Tone Ring (ABS only)	38	50580	50580	48476		

# NOTES



# **Model 44 /216 Rear Axles for TJ (Wrangler)**

# Jeep 44 /216 Rear Exploded View



# Jeep 44 /216 Rear Parts Listing

ITEM NO.	PART NUMBER	DESCRIPTION	ITEM NO.	PART NUMBER	DESCRIPTION
1	-(3)	Housing - Axle Service	24	-(2)	Bolt - Drive Gear/Package
2	-(1)	Drive Pinion & Gear Assembly	25	-(2)	Pinion - Differential (std)
3	-(2)	Inner Pinion Shim	26	-(2)	Gear - Differential (std)
	-(2)	Bearing Installation Kit	27	13338-3	Thrustwasher - Diff Pinion (std)
	-(2)	Master Overhaul Kit	28	32121	Thrustwasher - Diff Gear (std)
4	706031X	Kit - Inner Pinion Bearing	29	39194	Shaft - Differential (std)
	-(2)	PKG - Diff & Pinion Shim	30	13449	Lock - Differential Shaft
5	-(2)	Inner Pinion Shims (See Shim Packages)	31	-(3)	Bolt - Brake Mounting
6	30207- (5)	Outer Pinion Shims (See Shim Packages)	32	-(3)	Brake Mounting Nut
				-(2)	KIT - Unit Bearing and Seal (inc items 33, 34, 35, 36)
7	706030X	Kit - Outer Pinion Bearing	33	36797	Retainer Ring - Wheel Bearing
8	13575	Slinger - Outer Pinion Bearing	34	565903	Wheel Bearing Assembly
9	-(2)	Seal - Pinion Oil	35	35239	Seal - Outboard Shaft
10	-(2)	Oil Seal	36	-(2)	Oil Seal Retainer
11	-(2)	End Yoke	37	-(1)	Shaft - Axle Flange Drive
12	-(2)	Washer - Pinion Nut	38	-(2)	Bolt - Wheel
13	-(2)	Pinion Nut		-(2)	KIT - Diff Plate and Disc (t/l) (inc items 39, 40, 41, 42, 43)
	-(2)	KIT - Carrier Cover			
14	42960-1	Carrier Cover	39	-(4)	Plate - Preload Spacer
	38615	RTV Silicone Sealant	40	-(4)	Disc - Differential
15	34685	Gasket	41	-(4)	Plate - Differential
16	-(2)	Plug - Carrier Cover	42	-(4)	Plate - Differential Pressure
17	34279	Bolt - Carrier Cover (qty 10)	43	40835	Clip - Diff Clutch Retainer
18	-(3)	Differential Bearing Cap	44	13338-3	Thrustwasher - Diff Pinion (t/l)
19	48632-1	Bolt - Differential Bearing Cap	45	32808	Pinion - Differential (t/l)
20	-(2)	Spacer - Differential Bearing		2001899	Pinion - Diff. (t/l) net formed
21	706032X	Kit - Differential Bearing	46	39194	Shaft - Differential (t/l)
22	-(2)	PKG - Diff Bearing Shim (inc 15)	47	35657	Gear - Differential (t/l)
23	-(4)	Case - Differential (Air Locker serviced as an assembled unit)		2001901	Gear - Differential(t/l) net formed
			48	84307	Actuator Assembly (a/l)

- (1) See "Bill of Material Table" on next page  
(2) See "Variable Parts Table" within this section  
(3) Contact Vehicle Manufacturer  
(4) Not Sold Separately  
(5) See shim table in the back of this catalog

# Jeep 44 /216 Rear Bill of Material Table

Axle			Axle Kits				Shaft & Joint Assy.	
Bill of Material	Diff. Type	Ratio	Ring Gear & Pinion Kit <sup>(7)</sup>	Differential			Right Hand Shaft Assy.	Left Hand Shaft Assy.
				Case Assy. Kit <sup>(8)</sup>	Case Kit	Inner Parts Kit		
<b>1998-2000 TJ LHD</b>								
606015-2	Trac Lok	3.55	75861-5X	707115X	707116X	707099X	75786-1X	75786-2X
606015-4	Trac Lok	3.73	706017-4X	707115X	707116X	707099X	75786-1X	75786-2X
<b>2000 TJ LHD</b>								
606502-1	Standard	3.07	706017-1X	707021-1X	706024X	707025-1X	75786-1X	75786-2X
606502-2	Standard	4.10	74720-5X	707021-1X	706024X	707025-1X	75786-1X	75786-2X
606502-3	Standard	3.73	706017-4X	707021-1X	706024X	707025-1X	75786-1X	75786-2X
<b>2001 TJ LHD</b>								
606565-4	Trac Lok	3.73	22736-5X	707115X	707116X	707099X	75786-1X	75786-2X
606567-3	Standard	3.73	22736-5X	707021-1X	706024X	707025-1X	75786-1X	75786-2X
<b>2001 TJ RHD</b>								
606566-1	Trac Lok	3.07	22106-5X	707115X	707116X	707099X	75786-1X	75786-2X
606566-4	Trac Lok	3.73	22736-5X	707115X	707116X	707099X	75786-1X	75786-2X
<b>2001-02 TJ</b>								
606646	Trac Lok	3.73	22736-5X	707115X	707116X	708204	75786-1X	75786-2X
<b>2001-02 TJ LHD</b>								
606648	Standard	3.73	22736-5X	707021-1X	706024X	707025-1X	75786-1X	75786-2X
<b>2001-02 TJ RHD</b>								
606647-1	Trac Lok	3.07	22106-5X	707115X	707116X	708204	75786-1X	75786-2X
606647-2	Trac Lok	3.73	22736-5X	707115X	707116X	708204	75786-1X	75786-2X
<b>2002 TJ</b>								
606626	Trac Lok	3.73	22736-5X	707115X	707116X	707099X	84377-1	84377-2
<b>2002 TJ RHD</b>								
606642	Air Locker	4.10	74720-5X	84336	-(9)	-(9)	84377-1	84377-2
<b>2003 TJ</b>								
606850	Trac Lok	3.73	22736-5X	707115X	707116X	708204	84377-1	84377-2
606959	Trac Lok	3.73	85610-5	708218	708219	708204	84377-1	84377-2
606988	Trac Lok	3.73	85610-5	708218	708219	708204	84377-1	84377-2
<b>2003 TJ LHD</b>								
2003690	Trac Lok	4.10	85106-6	708218	708219	708204	85326-1	85326-2
606852	Standard	3.73	22736-5X	707021-1X	706024X	707025-1X	85233-1	85233-2
606875	Trac Lok	4.10	74720-5X	707115X	707116X	707099X	85326-1	85326-2
607011	Trac Lok	4.10	85106-6	708218	708219	708204	85326-1	85326-2
607012	Standard	3.07	85609-5	708216	708217	2017077	85233-1	85233-2
<b>2003 TJ RHD</b>								
606851-1	Trac Lok	3.07	22106-5X	707115X	707116X	708204	85233-1	85233-2
606851-2	Trac Lok	3.73	22736-5X	707115X	707116X	708204	85233-1	85233-2
606866	Air Locker	4.10	85106-6	84336	-(9)	-(9)	84377-1	84377-2
606941	Air Locker	4.10	85106-6	84336	-(9)	-(9)	84377-1	84377-2
606953	Air Locker	4.10	85106-6	84336	-(9)	-(9)	84377-1	84377-2
606989	Air Locker	4.10	85106-6	84336	-(9)	-(9)	84377-1	84377-2
<b>2003-04 TJ LHD</b>								
606961	Standard	3.73	85610-5	708216	708217	2017077	85233-1	85233-2
<b>2003-04 TJ RHD</b>								
606960-1	Trac Lok	3.07	85609-5	708218	708219	708204	85233-1	85233-2
606960-2	Trac Lok	3.73	85610-5	708218	708219	708204	85233-1	85233-2

(7) See Ring Gear & Pinion Kits in XGI Catalog for ratio & tooth combinations.

(8) See Differential Case Assy Kits in XGI Catalog for spline data & ratios.

(9) Serviced with complete differential case assembly kit only.

# Jeep 44 /216 Rear Bill of Material Table

Axle			Axle Kits				Shaft & Joint Assy.	
Bill of Material	Diff. Type	Ratio	Ring Gear & Pinion Kit <sup>(7)</sup>	Differential			Right Hand Shaft Assy.	Left Hand Shaft Assy.
				Case Assy. Kit <sup>(8)</sup>	Case Kit	Inner Parts Kit		
<b>2003-05 TJ</b>								
607008	Trac Lok	3.73	85610-5	708218	708219	708204	84377-1	84377-2
<b>2003-05 TJ RHD</b>								
607006-1	Trac Lok	3.07	85609-5	708218	708219	708204	85233-1	85233-2
607006-2	Trac Lok	3.73	85610-5	708218	708219	708204	85233-1	85233-2
607009	Air Locker	4.10	85106-6	84336	-(9)	-(9)	84377-1	84377-2
<b>2004-05 TJ</b>								
606998	Trac Lok	3.73	85610-5	708218	708219	708204	84377-1	84377-2
<b>2004-05 TJ LHD</b>								
607007	Standard	3.73	85610-5	708216	708217	2017077	85233-1	85233-2
<b>2005 TJ</b>								
2001543	Standard	3.73	85610-5	708216	708217	2017077	84377-1	84377-2
2003691	Standard	3.73	85610-5	708216	708217	2017077	84377-1	84377-2
<b>2005 TJ w/ABS</b>								
607015-1	Trac Lok	3.07	85609-6	708218	708219	708204	85945-1	85945-2
607015-2	Standard	3.07	85609-6	708216	708217	2017077	85945-1	85945-2
607015-3	Trac Lok	3.73	85610-5	708218	708219	708204	85945-1	85945-2
607015-4	Standard	3.73	85610-5	708216	708217	2017077	85945-1	85945-2
607016-1	Standard	3.07	85609-6	708216	708217	2017077	85945-1	85945-2
607016-2	Standard	3.73	85610-5	708216	708217	2017077	85945-1	85945-2
<b>2005 TJ RHD</b>								
2002406	Air Locker	4.10	85106-6	84336	-(9)	-(9)	84377-1	84377-2
2004040	Air Locker	4.10	85106-6	84336	-(9)	-(9)	84377-1	84377-2
<b>2005-06 TJ</b>								
2003688	Trac Lok	3.73	85610-5	708218	708219	708204	84377-1	84377-2
2003689	Trac Lok	3.73	85610-5	708218	708219	708204	84377-1	84377-2
2004422	Trac Lok	3.73	85610-5	708218	708219	708204	84377-1	84377-2
2004423	Standard	3.73	85610-5	708216	708217	2017077	84377-1	84377-2
2005806	Trac Lok	3.73	85610-5	708218	708219	708204	84377-1	84377-2
2005807	Standard	3.73	85610-5	708216	708217	2017077	84377-1	84377-2
2005808	Air Locker	4.10	85106-6	84336	-(9)	-(9)	84377-1	84377-2
<b>2005-06 TJ LHD</b>								
2005809	Trac Lok	4.10	85106-6	708218	708219	708204	85326-1	85326-2
<b>2005-06 TJ RHD</b>								
2003687	Air Locker	4.10	85106-6	84336	-(9)	-(9)	84377-1	84377-2
2004424	Air Locker	4.10	85106-6	84336	-(9)	-(9)	84377-1	84377-2
2005799	Air Locker	4.10	85106-6	84336	-(9)	-(9)	84377-1	84377-2
<b>2006 TJ</b>								
2005796	Trac Lok	3.73	85610-5	708218	708219	708204	84377-1	84377-2

(7) See Ring Gear &amp; Pinion Kits in XGI Catalog for ratio &amp; tooth combinations.

(8) See Differential Case Assy Kits in XGI Catalog for spline data &amp; ratios.

(9) Serviced with complete differential case assembly kit only.

# Jeep 44 /216 Rear Bill of Material Table

Axle			Axle Kits				Shaft & Joint Assy.	
Bill of Material	Diff. Type	Ratio	Ring Gear & Pinion Kit <sup>(7)</sup>	Differential			Right Hand Shaft Assy.	Left Hand Shaft Assy.
				Case Assy. Kit <sup>(8)</sup>	Case Kit	Inner Parts Kit		
<b>2006 TJ LHD</b>								
2006231-1	Standard	3.73	85610-5	708216	708217	2017077	85233-1	85233-2
2006231-2	Standard	3.73	85610-5	708216	708217	2017077	85233-1	85233-2
2006231-3	Standard	3.07	85609-5	708216	708217	2017077	85233-1	85233-2
2006231-4	Standard	3.07	85609-5	708216	708217	2017077	85233-1	85233-2
2006233-1	Trac Lok	3.07	85609-5	708218	708219	708204	85945-1	85945-2
2006233-2	Standard	3.07	85609-5	708216	708217	2017077	85945-1	85945-2
2006233-3	Trac Lok	3.73	85610-5	708218	708219	708204	85945-1	85945-2
2006233-4	Standard	3.73	85610-5	708216	708217	2017077	85945-1	85945-2
<b>2006 TJ RHD</b>								
2006232-1	Trac Lok	3.07	85609-5	708218	708219	708204	85233-1	85233-2
2006232-2	Trac Lok	3.73	85610-5	708218	708219	708204	85233-1	85233-1
2006232-3	Trac Lok	3.73	85610-5	708218	708219	708204	85233-1	85233-2
<b>2006 TJ RHD w/ABS</b>								
2006234-1	Standard	3.07	85609-5	708216	708217	2017077	85945-1	85945-2
2006234-2	Standard	3.73	85610-5	708216	708217	2017077	85945-1	85945-2

(7) See Ring Gear & Pinion Kits in XGI Catalog for ratio & tooth combinations.

(8) See Differential Case Assy Kits in XGI Catalog for spline data & ratios.

(9) Serviced with complete differential case assembly kit only.

# Jeep 44 /216 Rear Variable Parts Listing

Kits & Parts - Use With All Applications							
Description & Item Number (Refer to "Exploded View" at the front of this section)			Bills of Material				
			2001543	2002406	2003687	2003688	2003689
1	Inner Pinion Shim	3	44453- (5)	44453- (5)	44453- (5)	44453- (5)	44453- (5)
2	Bearing Installation Kit	-	2017084	2017085	2017085	2017084	2017084
3	Master Overhaul Kit	-	2017099	2017097	2017097	2017099	2017099
4	PKG - Diff & Pinion Shim	-	-	-	-	-	-
5	Inner Pinion Shims	5	-	-	-	-	-
6	Seal - Pinion Oil	9	50660	50531	50531	50660	50660
7	Oil Seal	10	-	47762	47762	-	-
8	End Yoke	11	2-4-8141-1	2-4-7791-1	2-4-7791-1	2-4-8141-1	2-4-8141-1
9	Washer - Pinion Nut	12	30186	-	-	30186	30186
10	Pinion Nut	13	30185	50560	50560	30185	30185
11	KIT - Carrier Cover	-	707110X	707111X	707111X	707110X	707110X
12	Plug - Carrier Cover	16	43180	43181	43181	43180	43180
13	Spacer - Differential Bearing	20	47252- (5)	47252- (5)	47252- (5)	47252- (5)	47252- (5)
14	PKG - Diff Bearing Shim (inc 15)	22	-	-	-	-	-
15	Bolt - Drive Gear/Package	24	701071-10	701071-10	701071-10	701071-10	701071-10
16	Pinion - Differential (std)	25	45872	45872	45872	45872	45872
17	Gear - Differential (std)	26	45870	45870	45870	45870	45870
18	KIT - Unit Bearing and Seal	-	708174	708174	708174	708174	708174
19	Oil Seal Retainer	36	51762	51762	51762	51762	51762
20	Bolt - Wheel	38	45712-1	45712-1	45712-1	45712-1	45712-1
21	KIT - Diff Plate and Disc (t/l)	-	708203	-	-	708203	708203
			<b>2003690</b>	<b>2003691</b>	<b>2004040</b>	<b>2004422</b>	<b>2004423</b>
1	Inner Pinion Shim	3	44453- (5)	44453- (5)	44453- (5)	44453- (5)	44453- (5)
2	Bearing Installation Kit	-	2017084	2017084	2017085	2017084	2017084
3	Master Overhaul Kit	-	2017100	2017099	2017097	2017099	2017099
4	PKG - Diff & Pinion Shim	-	-	-	-	-	-
5	Inner Pinion Shims	5	-	-	-	-	-
6	Seal - Pinion Oil	9	50660	50660	50531	50660	50660
7	Oil Seal	10	-	-	47762	-	-
8	End Yoke	11	2-4-8141-1	2-4-8141-1	2-4-7791-1	2-4-8141-1	2-4-8141-1
9	Washer - Pinion Nut	12	-	30186	-	30186	30186
10	Pinion Nut	13	50560	30185	50560	30185	30185
11	KIT - Carrier Cover	-	707110X	707110X	707111X	707110X	707110X
12	Plug - Carrier Cover	16	43180	43180	43181	43180	43180
13	Spacer - Differential Bearing	20	47252- (5)	47252- (5)	47252- (5)	47252- (5)	47252- (5)
14	PKG - Diff Bearing Shim (inc 15)	22	-	-	-	-	-
15	Bolt - Drive Gear/Package	24	701071-10	701071-10	701124X	701071-10	701071-10
16	Pinion - Differential (std)	25	45872	45872	45872	45872	45872
17	Gear - Differential (std)	26	45870	45870	45870	45870	45870
18	KIT - Unit Bearing and Seal	-	708174	708174	708174	708174	708174
19	Oil Seal Retainer	36	51762	51762	51762	51762	51762
20	Bolt - Wheel	38	45712-2	45712-1	45712-1	45712-1	45712-1
21	KIT - Diff Plate and Disc (t/l)	-	708203	708203	-	708203	708203

(5) See shim table in the back of this catalog

# Jeep 44 /216 Rear Variable Parts Listing

Kits & Parts - Use With All Applications							
Description & Item Number (Refer to "Exploded View" at the front of this section)			Bills of Material				
			2004424	2005796	2005799	2005806	2005807
1	Inner Pinion Shim	3	44453- (5)	44453- (5)	44453- (5)	44453- (5)	44453- (5)
2	Bearing Installation Kit	-	2017085	2017084	2017085	2017084	2017084
3	Master Overhaul Kit	-	2017097	2017099	2017097	2017099	2017099
4	PKG - Diff & Pinion Shim	-	-	-	-	-	-
5	Inner Pinion Shims	5	-	-	-	-	-
6	Seal - Pinion Oil	9	50531	50660	50531	50660	50660
7	Oil Seal	10	47762	-	-	-	-
8	End Yoke	11	2-4-7791-1	2-4-8141-1	2-4-7791-1	2-4-8141-1	2-4-8141-1
9	Washer - Pinion Nut	12	-	30186	-	30186	30186
10	Pinion Nut	13	50560	30185	50560	30185	30185
11	KIT - Carrier Cover	-	707111X	707110X	707111X	707110X	707110X
12	Plug - Carrier Cover	16	43181	43180	43181	43180	43180
13	Spacer - Differential Bearing	20	47252- (5)	47252- (5)	47252- (5)	47252- (5)	47252- (5)
14	PKG - Diff Bearing Shim (inc 15)	22	-	-	-	-	-
15	Bolt - Drive Gear/Package	24	701071-10	701071-10	701071-10	701071-10	701071-10
16	Pinion - Differential (std)	25	45872	45872	45872	45872	45872
17	Gear - Differential (std)	26	45870	45870	45870	45870	45870
18	KIT - Unit Bearing and Seal	-	708174	708174	708174	708174	708174
19	Oil Seal Retainer	36	51762	51762	51762	51762	51762
20	Bolt - Wheel	38	45712-1	45712-1	45712-1	45712-1	45712-1
21	KIT - Diff Plate and Disc (t/l)	-	-	-	-	708203	708203
			<b>2005808</b>	<b>2005809</b>	<b>2006231</b>	<b>2006232</b>	<b>2006233</b>
1	Inner Pinion Shim	3	44453- (5)	44453- (5)	-	-	44453- (5)
2	Bearing Installation Kit	-	2017085	2017084	2017084	2017084	2017084
3	Master Overhaul Kit	-	2017097	2017100	2017098	2017098	2017100
4	PKG - Diff & Pinion Shim	-	-	-	-	-	-
5	Inner Pinion Shims	5	-	-	30210- (5)	30210- (5)	-
6	Seal - Pinion Oil	9	50531	50660	50660	50660	50660
7	Oil Seal	10	47762	-	-	-	-
8	End Yoke	11	2-4-7791-1	2-4-8141-1	2-4-8141-1	2-4-8141-1	2-4-8141-1
9	Washer - Pinion Nut	12	-	-	30186	30186	-
10	Pinion Nut	13	50560	50560	30185	30185	50560
11	KIT - Carrier Cover	-	707111X	707110X	707110X	707110X	707110X
12	Plug - Carrier Cover	16	43181	43180	43180	43180	43180
13	Spacer - Differential Bearing	20	47252- (5)	47252- (5)	47252- (5)	47252- (5)	47252- (5)
14	PKG - Diff Bearing Shim (inc 15)	22	-	-	-	-	-
15	Bolt - Drive Gear/Package	24	701071-10	701071-10	701071-10	701071-10	701071-10
16	Pinion - Differential (std)	25	45872	45872	2001899	45872	45872
17	Gear - Differential (std)	26	45870	45870	2001900	45870	45870
18	KIT - Unit Bearing and Seal	-	708174	708174	707374-1X	707374-1X	707374-1X
19	Oil Seal Retainer	36	51762	51762	47160	47160	47160
20	Bolt - Wheel	38	45712-1	45712-1	45712-1	45712-1	45712-1
21	KIT - Diff Plate and Disc (t/l)	-	-	708203	-	708203	708203

(5) See shim table in the back of this catalog



# Jeep 44 /216 Rear Variable Parts Listing

Kits & Parts - Use With All Applications							
Description & Item Number (Refer to "Exploded View" at the front of this section)			Bills of Material				
			2006234	606015	606502	606565	606566
1	Inner Pinion Shim	3	44453- (5)	-	-	-	-
2	Bearing Installation Kit	-	2017084	2017080	2017080	2017080	2017080
3	Master Overhaul Kit	-	2017100	2017091	2017091	2017091	2017091
4	PKG - Diff & Pinion Shim	-	-	706376X	706376X	706376X	706376X
5	Inner Pinion Shims	5	-	30210- (5)	30210- (5)	30210- (5)	30210- (5)
6	Seal - Pinion Oil	9	50660	44895	44895	44895	44895
7	Oil Seal	10	-	-	-	-	-
8	End Yoke	11	2-4-8141-1	2-4-8141-1	2-4-8141-1	2-4-8141-1	2-4-8141-1
9	Washer - Pinion Nut	12	-	30186	30186	30186	30186
10	Pinion Nut	13	50560	30185	30185	30185	30185
11	KIT - Carrier Cover	-	707110X	707110X	707111X	707110X	707110X
12	Plug - Carrier Cover	16	43180	43180	43180	43180	43180
13	Spacer - Differential Bearing	20	47252- (5)	-	-	-	-
14	PKG - Diff Bearing Shim (inc 15)	22	-	706086X	706086X	706086X	706086X
15	Bolt - Drive Gear/Package	24	701071-10	41221	41221	701071X	701071X
16	Pinion - Differential (std)	25	45872	-	-	45872	45872
17	Gear - Differential (std)	26	45870	-	-	45870	45870
18	KIT - Unit Bearing and Seal	-	707374-1X	707374-1X	707374-1X	707374-1X	707374-1X
19	Oil Seal Retainer	36	47160	47160	47160	47160	47160
20	Bolt - Wheel	38	45712-1	32983	32983	32983	32983
21	KIT - Diff Plate and Disc (t/l)	-	-	706352X	706352X	706352X	706352X
			<b>606567</b>	<b>606626</b>	<b>606642</b>	<b>606646</b>	<b>606647</b>
1	Inner Pinion Shim	3	-	-	-	-	-
2	Bearing Installation Kit	-	2017080	2017080	2017084	2017084	2017084
3	Master Overhaul Kit	-	2017091	2017091	2017096	2017096	2017096
4	PKG - Diff & Pinion Shim	-	706376X	706376X	701017X	706376X	706376X
5	Inner Pinion Shims	5	30210- (5)	30210- (5)	30210- (5)	30210- (5)	30210- (5)
6	Seal - Pinion Oil	9	44895	44895	50660	50660	50660
7	Oil Seal	10	-	-	-	-	-
8	End Yoke	11	2-4-8141-1	2-4-8141-1	2-4-7791-1	2-4-8141-1	2-4-8141-1
9	Washer - Pinion Nut	12	30186	30186	-	30186	30186
10	Pinion Nut	13	30185	30185	50560	30185	30185
11	KIT - Carrier Cover	-	707110X	707110X	707111X	707110X	707110X
12	Plug - Carrier Cover	16	43180	43180	43181	43180	43180
13	Spacer - Differential Bearing	20	-	-	-	-	-
14	PKG - Diff Bearing Shim (inc 15)	22	706086X	706086X	706086X	706086X	706086X
15	Bolt - Drive Gear/Package	24	701071X	701071X	701124X	701071X	701071X
16	Pinion - Differential (std)	25	45872	45872	45872	45872	45872
17	Gear - Differential (std)	26	45870	45870	45870	45870	45870
18	KIT - Unit Bearing and Seal	-	707374-1X	708174	708174	707374-1X	707374-1X
19	Oil Seal Retainer	36	47160	51762	51762	47160	47160
20	Bolt - Wheel	38	32983	45712-1	45712-1	32983	32983
21	KIT - Diff Plate and Disc (t/l)	-	-	706352X	-	708203	708203

(5) See shim table in the back of this catalog

# Jeep 44 /216 Rear Variable Parts Listing

Kits & Parts - Use With All Applications							
Description & Item Number (Refer to "Exploded View" at the front of this section)			Bills of Material				
			606648	606850	606851	606852	606866
1	Inner Pinion Shim	3	-	-	-	-	44453- (5)
2	Bearing Installation Kit	-	2017084	2017084	2017084	2017084	2017085
3	Master Overhaul Kit	-	2017096	2017096	2017096	2017096	2017097
4	PKG - Diff & Pinion Shim	-	706376X	706376X	706376X	706376X	-
5	Inner Pinion Shims	5	30210- (5)	30210- (5)	30210- (5)	30210- (5)	-
6	Seal - Pinion Oil	9	50660	50660	50660	50660	50531
7	Oil Seal	10	-	-	-	-	47762
8	End Yoke	11	2-4-8141-1	2-4-8141-1	2-4-8141-1	2-4-8141-1	2-4-7791-1
9	Washer - Pinion Nut	12	30186	30186	30186	30186	-
10	Pinion Nut	13	30185	30185	30185	30185	50560
11	KIT - Carrier Cover	-	707110X	707110X	707110X	707110X	707111X
12	Plug - Carrier Cover	16	43180	43180	43180	43180	43181
13	Spacer - Differential Bearing	20	-	-	-	-	47252- (5)
14	PKG - Diff Bearing Shim (inc 15)	22	706086X	706086X	706086X	706086X	-
15	Bolt - Drive Gear/Package	24	701071X	701071X	701071X	701071X	701071-10
16	Pinion - Differential (std)	25	45872	45872	45872	45872	45872
17	Gear - Differential (std)	26	45870	45870	45870	45870	45870
18	KIT - Unit Bearing and Seal	-	707374-1X	708174	707374-1X	707374-1X	708174
19	Oil Seal Retainer	36	47160	51762	47160	47160	51762
20	Bolt - Wheel	38	32983	45712-1	45712-1	45712-1	45712-1
21	KIT - Diff Plate and Disc (t/l)	-	-	708203	708203	-	-
			<b>606875</b>	<b>606941</b>	<b>606953</b>	<b>606959</b>	<b>606960</b>
1	Inner Pinion Shim	3	-	44453- (5)	44453- (5)	-	-
2	Bearing Installation Kit	-	2017084	2017085	2017085	2017084	2017084
3	Master Overhaul Kit	-	2017096	2017097	2017097	2017098	2017098
4	PKG - Diff & Pinion Shim	-	707376X	-	-	-	-
5	Inner Pinion Shims	5	30210- (5)	-	-	30210- (5)	30210- (5)
6	Seal - Pinion Oil	9	50660	50531	50531	50660	50660
7	Oil Seal	10	-	47762	47762	-	-
8	End Yoke	11	2-4-8141-1	2-4-7791-1	2-4-7791-1	2-4-8141-1	2-4-8141-1
9	Washer - Pinion Nut	12	30186	-	-	30186	30186
10	Pinion Nut	13	30185	50560	50560	30185	30185
11	KIT - Carrier Cover	-	707110X	707111X	707111X	707110X	707110X
12	Plug - Carrier Cover	16	43180	43181	43181	43180	43180
13	Spacer - Differential Bearing	20	-	47252- (5)	47252- (5)	47252- (5)	47252- (5)
14	PKG - Diff Bearing Shim (inc 15)	22	706086X	-	-	-	-
15	Bolt - Drive Gear/Package	24	701124X	701071-10	701071-10	701071-10	701071-10
16	Pinion - Differential (std)	25	45872	45872	45872	45872	45872
17	Gear - Differential (std)	26	45870	45870	45870	45870	45870
18	KIT - Unit Bearing and Seal	-	708174	708174	708174	708174	707374-1X
19	Oil Seal Retainer	36	51762	51762	51762	51762	47160
20	Bolt - Wheel	38	45712-2	45712-1	45712-1	45712-1	45712-1
21	KIT - Diff Plate and Disc (t/l)	-	706352X	-	-	708203	708203

(5) See shim table in the back of this catalog

# Jeep 44 /216 Rear Variable Parts Listing

Kits & Parts - Use With All Applications							
Description & Item Number (Refer to "Exploded View" at the front of this section)			Bills of Material				
			606961	606988	606989	606998	607006
1	Inner Pinion Shim	3	-	-	44453- (5)	44453- (5)	-
2	Bearing Installation Kit	-	2017084	2017084	2017085	2017084	2017084
3	Master Overhaul Kit	-	2017098	2017098	2017097	2017099	2017098
4	PKG - Diff & Pinion Shim	-	-	-	-	-	-
5	Inner Pinion Shims	5	30210- (5)	30210- (5)	-	-	30210- (5)
6	Seal - Pinion Oil	9	50660	50660	50531	50660	50660
7	Oil Seal	10	-	-	47762	-	-
8	End Yoke	11	2-4-8141-1	2-4-8141-1	2-4-7791-1	2-4-8141-1	2-4-8141-1
9	Washer - Pinion Nut	12	30186	30186	-	30186	30186
10	Pinion Nut	13	30185	30185	50560	30185	30185
11	KIT - Carrier Cover	-	707110X	707110X	707111X	707110X	707110X
12	Plug - Carrier Cover	16	43180	43180	43181	43180	43180
13	Spacer - Differential Bearing	20	47252- (5)	47252- (5)	47252- (5)	47252- (5)	47252- (5)
14	PKG - Diff Bearing Shim (inc 15)	22	-	-	-	-	-
15	Bolt - Drive Gear/Package	24	701071-10	701071-10	701071-10	701071-10	701071-10
16	Pinion - Differential (std)	25	45872	45872	45872	45872	45872
17	Gear - Differential (std)	26	45870	45870	45870	45870	45870
18	KIT - Unit Bearing and Seal	-	707374-1X	708174	708174	708174	707374-1X
19	Oil Seal Retainer	36	47160	51762	51762	51762	47160
20	Bolt - Wheel	38	45712-1	45712-1	45712-1	45712-1	45712-1
21	KIT - Diff Plate and Disc (t/l)	-	-	708203	-	708203	708203
			<b>607007</b>	<b>607008</b>	<b>607009</b>	<b>607011</b>	<b>607012</b>
1	Inner Pinion Shim	3	-	-	44453- (5)	44453- (5)	44453- (5)
2	Bearing Installation Kit	-	2017084	2017084	2017085	2017084	2017084
3	Master Overhaul Kit	-	2017098	2017098	2017097	2017100	2017100
4	PKG - Diff & Pinion Shim	-	-	-	-	-	-
5	Inner Pinion Shims	5	30210- (5)	30210- (5)	-	-	-
6	Seal - Pinion Oil	9	50660	50660	50531	50660	50660
7	Oil Seal	10	-	-	47762	-	-
8	End Yoke	11	2-4-8141-1	2-4-8141-1	2-4-7791-1	2-4-8141-1	2-4-8141-1
9	Washer - Pinion Nut	12	30186	30186	-	-	-
10	Pinion Nut	13	30185	30185	50560	50560	50560
11	KIT - Carrier Cover	-	707110X	707110X	707111X	707110X	707110X
12	Plug - Carrier Cover	16	43180	43180	43181	43180	43180
13	Spacer - Differential Bearing	20	47252- (5)	47252- (5)	47252- (5)	47252- (5)	47252- (5)
14	PKG - Diff Bearing Shim (inc 15)	22	-	-	-	-	-
15	Bolt - Drive Gear/Package	24	701071-10	701071-10	701071-10	701071-10	701071-10
16	Pinion - Differential (std)	25	45872	45872	45872	45872	45872
17	Gear - Differential (std)	26	45870	45870	45870	45870	45870
18	KIT - Unit Bearing and Seal	-	707374-1X	708174	708174	708174	707374-1X
19	Oil Seal Retainer	36	47160	51762	51762	51762	47160
20	Bolt - Wheel	38	45712-1	45712-1	45712-1	45712-2	45712-1
21	KIT - Diff Plate and Disc (t/l)	-	-	708203	-	708203	-

(5) See shim table in the back of this catalog

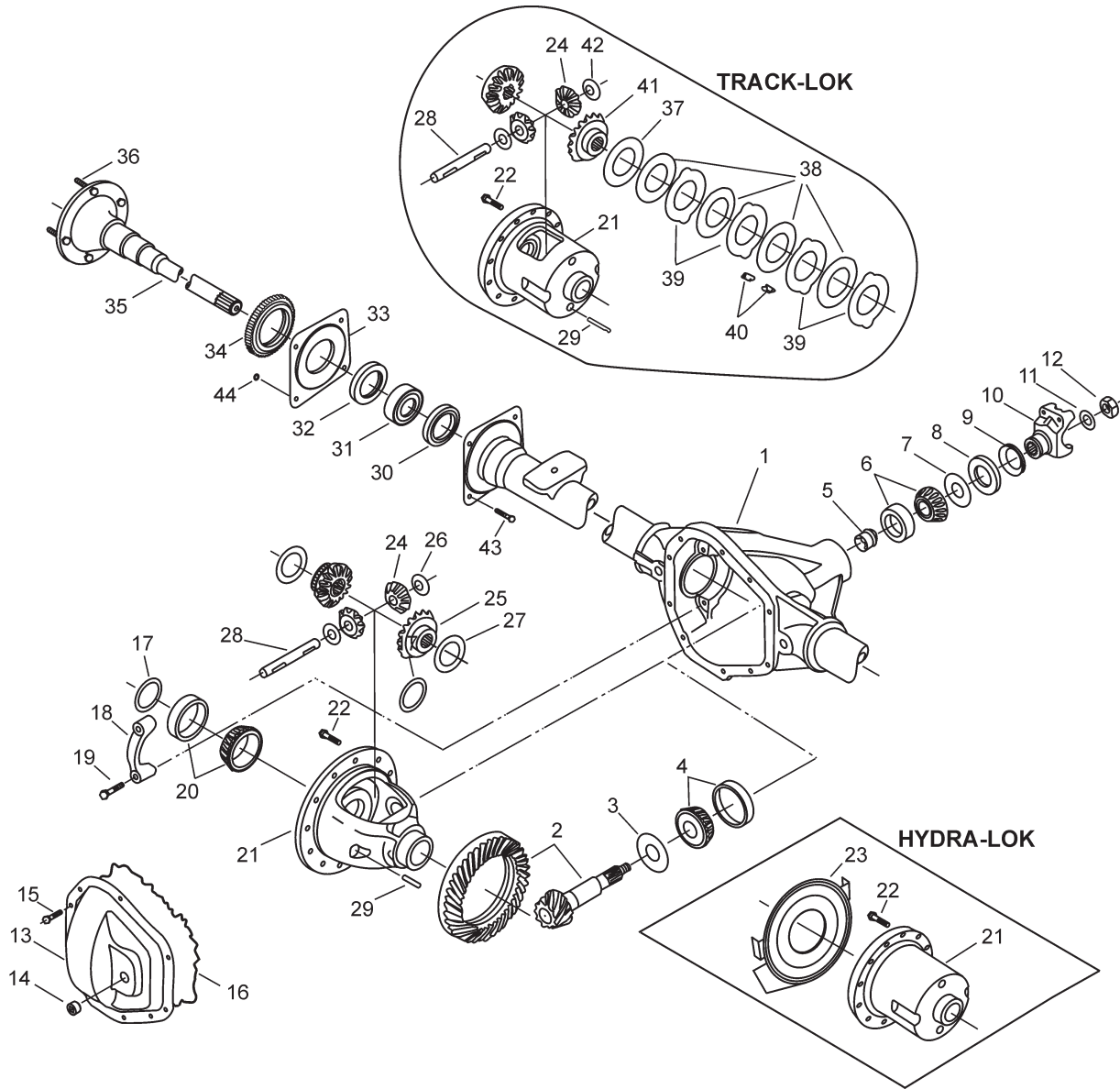
# Jeep 44 /216 Rear Variable Parts Listing

Kits & Parts - Use With All Applications						
Description & Item Number (Refer to "Exploded View" at the front of this section)			Bills of Material			
			607015	607016		
1	Inner Pinion Shim	3	44453- (5)	44453- (5)		
2	Bearing Installation Kit	-	2017084	2017084		
3	Master Overhaul Kit	-	2017100	2017100		
4	PKG - Diff & Pinion Shim	-	-	-		
5	Inner Pinion Shims	5	-	-		
6	Seal - Pinion Oil	9	50660	50660		
7	Oil Seal	10	-	-		
8	End Yoke	11	2-4-8141-1	2-4-8141-1		
9	Washer - Pinion Nut	12	-	-		
10	Pinion Nut	13	50560	50560		
11	KIT - Carrier Cover	-	707110X	707110X		
12	Plug - Carrier Cover	16	43180	43180		
13	Spacer - Differential Bearing	20	47252- (5)	47252- (5)		
14	PKG - Diff Bearing Shim (inc 15)	22	-	-		
15	Bolt - Drive Gear/Package	24	701071-10	701071-10		
16	Pinion - Differential (std)	25	45872	45872		
17	Gear - Differential (std)	26	45870	45870		
18	KIT - Unit Bearing and Seal	-	707374-1X	707374-1X		
19	Oil Seal Retainer	36	47160	47160		
20	Bolt - Wheel	38	45712-1	45712-1		
21	KIT - Diff Plate and Disc (t/l)	-	708203	-		

(5) See shim table in the back of this catalog

**Model Super 44 /226  
Rear Axles for  
WJ (Grand Cherokee)  
WK (Grand Cherokee)  
XK (Commander)**

# Jeep Super 44 /226 Rear (WK/WJ/XK) Exploded View



# Jeep Super 44 /226 Rear (WK/WJ/XK)

## Parts Listing

ITEM NO.	PART NUMBER	DESCRIPTION	ITEM NO.	PART NUMBER	DESCRIPTION
1	-(3)	Housing - Axle Service	22	-(2)	Bolt - Drive Gear
2	-(1)	Drive Pinion & Gear Assembly	23	52783	Plenum Assembly (h/l)
3	41214-(5)	Inner Pinion Shims	24	-(2)	Pinion - Differential (std or t/l)
	-(2)	Bearing Installation Kit	25	-(2)	Gear - Differential (std)
	-(2)	Master Overhaul Kit	26	-(2)	Thrustwasher - Diff Pinion (std)
4	-(2)	KIT - Inner Pinion Bearing	27	-(2)	Thrustwasher - Diff Gear (std)
5	-(2)	Collapsible Spacer	28	-(2)	Shaft - Differential (std or t/l)
6	706123X	KIT - Outer Pinion Bearing	29	-(2)	Pin - Diff Shaft Lock (std or t/l)
7	42737	Thrustwasher	30	-(2)	Wheel Bearing Retainer
8	-(2)	Seal - Pinion Oil	31	-(2)	Wheel Bearing Assembly
9	-(2)	Oil Seal	32	-(2)	Seal - Outboard Shaft
10	-(2)	End Yoke/Companion Flange	33	-(2)	Oil Seal Retainer
11	30275	Washer - Pinion Nut	34	-(4)	Tone Ring (ABS only)
12	-(2)	Pinion Nut	35	-(1)	Axle Shaft
	-(2)	KIT - Carrier Cover (inc 13,14,15)	36	-(2)	Bolt - Axle Shaft
13	-(2)	Carrier Cover		707018X	KIT - Diff Plate and Disc (t/l)
14	-(2)	Plug - Carrier Cover			(inc items 37, 38, 39, 40)
15	34279	Bolt - Carrier Cover (qty 10)	37	-(4)	Plate - Preload Spacer
16	38615	RTV Silicone Sealant	38	-(4)	Disc - Differential
17	-(2)	Differential Shim	39	-(4)	Plate - Differential Pressure
18	-(3)	Differential Bearing Cap	40	40835	Clip - Diff Clutch Retainer
19	-(2)	Bolt - Differential Bearing Cap	41	44271	Gear - Differential (t/l)
20	-(2)	KIT - Differential Bearing	42	43810	Thrustwasher - Pinion (t/l)
21	-(1)	Case - Differential	43	-(3)	Bolt - Brake Mounting
		(Hydra Lok - Serviced only as an assembled unit)	44	-(3)	Nut - Brake Mounting

- (1) See "Bill of Material Table" on next page  
(2) See "Variable Parts Table" within this section  
(3) Contact Vehicle Manufacturer  
(4) Not Sold Separately  
(5) See shim table in the back of this catalog

# Jeep Super 44 /226 Rear (WK/WJ/XK) Bill of Material Table

Axle			Axle Kits				Shaft & Joint Assy.	
Bill of Material	Diff. Type	Ratio	Ring Gear & Pinion Kit <sup>(7)</sup>	Differential			Right Hand Shaft Assy.	Left Hand Shaft Assy.
				Case Assy. Kit <sup>(8)</sup>	Case Kit	Inner Parts Kit		
<b>1999 - 3/29/2000 WJ w/ABS (uses 3/8" ring gear bolts)</b>								
606008-2	Standard	3.73	76542-5X	707382X	43771	707384X	76454-3X	76454-4X
606008-3	Trac Lok	3.73	76542-5X	707383X	43775	707385X	76454-3X	76454-4X
606008-4	Trac Lok	3.91	80186-5	707383X	43775	707385X	76454-3X	76454-4X
606061-1	Hydra Lok	3.55	76547-5X	76740X	-(9)	-(9)	76454-1X	76454-2X
606061-2	Hydra Lok	3.73	76542-5X	76740X	-(9)	-(9)	76454-1X	76454-2X
606061-3	Hydra Lok	3.91	80186-5	76740X	-(9)	-(9)	76454-1X	76454-2X
606061-4	Hydra Lok	3.73	76542-5X	76740X	-(9)	-(9)	76454-1X	76454-2X
606186-1	Hydra Lok	3.91	80186-5	76740X	-(9)	-(9)	76454-1X	76454-2X
606187-1	Standard	3.91	80186-5	707382X	43771	707384X	76454-3X	76454-4X
<b>3/29/2000 - 12/31/2000 WJ w/ABS (uses 7/16" ring gear bolts)</b>								
606008-2	Standard	3.73	84212-5	708107	51256	707384X	76454-3X	76454-4X
606008-3	Trac Lok	3.73	84212-5	708108	51257	707385X	76454-3X	76454-4X
606008-4	Trac Lok	3.91	84213-5	708108	51257	707385X	76454-3X	76454-4X
606061-1	Hydra Lok	3.55	84073-5	84084	-(9)	-(9)	76454-1X	76454-2X
606061-2	Hydra Lok	3.73	84212-5	84084	-(9)	-(9)	76454-1X	76454-2X
606061-3	Hydra Lok	3.91	84213-5	84084	-(9)	-(9)	76454-1X	76454-2X
606061-4	Hydra Lok	3.73	84212-5	84084	-(9)	-(9)	76454-1X	76454-2X
606186-1	Hydra Lok	3.91	84213-5	84084	-(9)	-(9)	76454-1X	76454-2X
606187-1	Standard	3.91	84213-5	708107	51256	707384X	76454-3X	76454-4X
<b>2001 WJ w/ABS (uses 7/16" ring gear bolts)</b>								
606552-3	Standard	3.73	84212-5	708107	51256	707384X	76454-3X	76454-4X
606552-7	Trac Lok	3.73	84212-5	708108	51257	707385X	76454-3X	76454-4X
606553-4	Hydra Lok	3.91	84213-5	84084	-(9)	-(9)	76454-1X	76454-2X
606554-4	Standard	3.91	84213-5	708107	51256	707384X	76454-3X	76454-4X
606555-3	Hydra Lok	3.73	84212-5	84084	-(9)	-(9)	76454-1X	76454-2X
<b>2002 WJ w/ABS (uses 7/16" ring gear bolts)</b>								
606507	Hydra Lok	3.91	84213-5	84084	-(9)	-(9)	76454-1X	76454-2X
606672-1	Hydra Lok	3.55	84073-5	84084	-(9)	-(9)	76454-1X	76454-2X
606674-1	Standard	3.55	84073-5	708107	51256	707384X	76454-3X	76454-4X
606877-1	Hydra Lok	3.55	84073-5	84084	-(9)	-(9)	76454-1X	76454-2X
606878-1	Standard	3.55	84073-5	708107	51256	707384X	76454-3X	76454-4X
<b>2003 WJ CV w/ABS (uses 7/16" ring gear bolts)</b>								
606972-1	Hydra Lok	3.55	84073-5	84084	-(9)	-(9)	76454-1X	76454-2X
606973-1	Standard	3.55	84073-5	708107	51256	707384X	76454-3X	76454-4X
<b>2003-04 WJ w/ABS (uses 7/16" ring gear bolts)</b>								
606970-3	Standard	3.73	84212-5	708107	51256	707384X	76454-3X	76454-4X
606971-3	Hydra Lok	3.73	84212-5	84084	-(9)	-(9)	76454-1X	76454-2X
<b>2005 WK SRT8 (uses M12 x 1.25 ring gear bolts)</b>								
2003797-1	Standard	3.73	2003488-5	2005084	2004239	2005085	2003906-1	2003906-2
<b>2006 WK SRT8 (uses M12 x 1.25 ring gear bolts)</b>								
2005359-1	Standard	3.73	2003488-5	2005084	2004239	2005085	2003906-1	2003906-2
2005726-1	Standard	3.73	2003488-5	2005084	2004239	2005085	2003906-1	2003906-2

(7) See Ring Gear & Pinion Kits in XGI Catalog for ratio & tooth combinations.

(8) See Differential Case Assy Kits in XGI Catalog for spline data & ratios.

(9) Serviced with complete differential case assembly kit only.



# Jeep Super 44 /226 Rear (WK/WJ/XK)

## Bill of Material Table

Axle			Axle Kits				Shaft & Joint Assy.	
Bill of Material	Diff. Type	Ratio	Ring Gear & Pinion Kit <sup>(7)</sup>	Differential			Right Hand Shaft Assy.	Left Hand Shaft Assy.
				Case Assy. Kit <sup>(8)</sup>	Case Kit	Inner Parts Kit		
<b>2006-07 WK SRT8 (uses M12 x 1.25 ring gear bolts)</b>								
2007248-1	Standard	3.73	2003488-5	2005084	2004239	2005085	2003906-1	2003906-2
<b>2006-07 WK/XK (uses M12 x 1.25 ring gear bolts)</b>								
2005343-1	Standard	3.73	2003488-5	2005084	2004239	2005085	2003906-1	2003906-2
<b>2007 WK SRT8 (uses M12 x 1.25 ring gear bolts)</b>								
2008453-1	Standard	3.73	2003488-5	2005084	2004239	2005085	2003906-1	2003906-2
<b>2007-08 WK/XK (uses M12 x 1.25 ring gear bolts)</b>								
2007854-1	Standard	3.73	2003488-5	2005084	2004239	2005085	2003906-1	2003906-2
<b>2008 WK SRT8 (uses M12 x 1.25 ring gear bolts)</b>								
2009154-1	Standard	3.73	2003488-5	2005084	2004239	2005085	2003906-1	2003906-2
2009572-1	Standard	3.73	2003488-5	2005084	2004239	2005085	2003906-1	2003906-2
<b>2008-10 WK SRT8 (uses M12 x 1.25 ring gear bolts)</b>								
2010263-1	Standard	3.73	2003488-5	2005084	2004239	2005085	2003906-1	2003906-2
<b>2008-10 WK/XK (uses M12 x 1.25 ring gear bolts)</b>								
2010264-1	Standard	3.73	2003488-5	2005084	2004239	2005085	2003906-1	2003906-2
<b>2012 JK (uses 1/2" ring gear bolts)</b>								
2015388-1	Standard	3.21	2007774-5	2008572	-(9)	2009155	2011806-1	2011806-1

(7) See Ring Gear &amp; Pinion Kits in XGI Catalog for ratio &amp; tooth combinations.

(8) See Differential Case Assy Kits in XGI Catalog for spline data &amp; ratios.

(9) Serviced with complete differential case assembly kit only.

# Jeep Super 44 /226 Rear (WK/WJ/XK) Variable Parts Listing

Kits & Parts - Use With All Applications						
	Description & Item Number (Refer to "Exploded View" at the front of this section)	Bills of Material				
		2003797	2005343	2005359	2005726	2007248
1	Bearing Installation Kit	-	-	2017089	2017089	2017089
2	Master Overhaul Kit	-	-	2017105	2017105	2017105
3	KIT - Inner Pinion Bearing	4	706046X	2005899	2005899	2005899
4	Collapsible Spacer	5	46925	46925	46925	46925
5	Seal - Pinion Oil	8	54458	54458	54458	54458
6	Oil Seal	9	-	-	-	-
7	End Yoke/Companion Flange	10	2003901	2003901	2003901	2003901
8	Pinion Nut	12	2001153	2001153	2001153	2001153
9	KIT - Carrier Cover (inc 13,14,15)	-	2005086	2005086	2005086	2005086
10	Carrier Cover	13	46590-10	46590-10	46590-10	46590-10
11	Plug - Carrier Cover	14	43180	43180	43180	43180
12	Differential Shim	17	2003782-(5)	2003905-(5)	2003905-(5)	2003905-(5)
13	Bolt - Differential Bearing Cap	19	48632-1	48632-1	48632-1	48632-1
14	KIT - Differential Bearing	20	2005082	2005082	2005082	2005082
15	Bolt - Drive Gear	22	701071-14	701071-14	701071-14	701071-14
16	Pinion - Differential (std or t/l)	24	54329	54329	54329	54329
17	Gear - Differential (std)	25	55586	55586	55586	55586
18	Thrustwasher - Diff Pinion (std)	26	53275	53275	53275	53275
19	Thrustwasher - Diff Gear (std)	27	53236	53236	53236	53236
20	Shaft - Differential (std or t/l)	28	2005562	2005562	2005562	2005562
21	Pin - Diff Shaft Lock (std or t/l)	29	13449	13449	13449	13449
22	Wheel Bearing Retainer	30	-	-	-	-
23	Wheel Bearing Assembly	31	(3)	(3)	(3)	(3)
24	Seal - Outboard Shaft	32	(3)	(3)	(3)	(3)
25	Oil Seal Retainer	33	-	-	-	-
26	Bolt - Axle Shaft	36	(3)	(3)	(3)	(3)
			<b>2007854</b>	<b>2008453</b>	<b>2009154</b>	<b>2009572</b>
						<b>2010263</b>
1	Bearing Installation Kit	-	2017089	2017089	2017089	2017089
2	Master Overhaul Kit	-	2017108	2017105	2017108	2017108
3	KIT - Inner Pinion Bearing	4	2005899	2005899	2005899	2005899
4	Collapsible Spacer	5	46925	46925	46925	46925
5	Seal - Pinion Oil	8	2004101	2004101	2004101	2004101
6	Oil Seal	9	-	-	-	-
7	End Yoke/Companion Flange	10	2003901	2003901	2003901	2003901
8	Pinion Nut	12	2001153	2001153	2001153	2001153
9	KIT - Carrier Cover (inc 13,14,15)	-	2008673	2008673	2008673	2008673
10	Carrier Cover	13	46590-10	46590-10	46590-10	46590-10
11	Plug - Carrier Cover	14	2002748	2002748	2002748	43180
12	Differential Shim	17	2003905-(5)	2003905-(5)	2003905-(5)	2003905-(5)
13	Bolt - Differential Bearing Cap	19	48632-1	48632-1	48632-1	48632-1
14	KIT - Differential Bearing	20	2005082	2005082	2005082	2005082
15	Bolt - Drive Gear	22	701071-14	701071-14	701071-14	701071-14
16	Pinion - Differential (std or t/l)	24	54329	54329	54329	54329
17	Gear - Differential (std)	25	55586	55586	55586	55586
18	Thrustwasher - Diff Pinion (std)	26	53275	53275	53275	53275
19	Thrustwasher - Diff Gear (std)	27	53236	53236	53236	53236
20	Shaft - Differential (std or t/l)	28	2005562	2005562	2005562	2005562
21	Pin - Diff Shaft Lock (std or t/l)	29	13449	13449	13449	13449
22	Wheel Bearing Retainer	30	-	-	-	-
23	Wheel Bearing Assembly	31	(3)	(3)	(3)	(3)
24	Seal - Outboard Shaft	32	(3)	(3)	(3)	(3)
25	Oil Seal Retainer	33	-	-	-	-
26	Bolt - Axle Shaft	36	(3)	(3)	(3)	(3)

(3) Contact Vehicle Manufacturer

(5) See shim table in the back of this catalog

# Jeep Super 44 /226 Rear (WK/WJ/XK)

## Variable Parts Listing

Kits & Parts - Use With All Applications							
Description & Item Number (Refer to "Exploded View" at the front of this section)			Bills of Material				
			2010264	2015388	606008	606061	606186
1	Bearing Installation Kit	-	2017089	-	2017081	2017081	2017081
2	Master Overhaul Kit	-	2017108	-	2017092	2017092	2017092
3	KIT - Inner Pinion Bearing	4	2005899	707064X	707064X	707064X	707064X
4	Collapsible Spacer	5	46925	46925	43916	43916	43916
5	Seal - Pinion Oil	8	2004101	2004101	47885	47885	47885
6	Oil Seal	9	-	-	47886	47886	47886
7	End Yoke/Companion Flange	10	2003901	2004431	2-4-6541-1(3)	2-4-6541-1(3)	2-1-2961(3)
8	Pinion Nut	12	2001153	2001153	30271	30271	30271
9	KIT - Carrier Cover (inc 13,14,15)	-	2008673	707111X	707494-2X	707494-2X	707494-2X
10	Carrier Cover	13	46590-10	42960-1	48174-2	48174-2	48174-2
11	Plug - Carrier Cover	14	43180	43181	51489	51489	51489
12	Differential Shim	17	2003905-(5)	701149X	46582-(5)	46582-(5)	46582-(5)
13	Bolt - Differential Bearing Cap	19	48632-1	48632-1	41212	41212	41212
14	KIT - Differential Bearing	20	2005082	706032X	706988X	706988X	706988X
15	Bolt - Drive Gear	22	701071-14	2001443	701071-10	701071-10	45784
16	Pinion - Differential (std or t/l)	24	54329	50474	43809	43809	43809
17	Gear - Differential (std)	25	55586	52380	44270	44270	44270
18	Thrustwasher - Diff Pinion (std)	26	53275	46948	46948	46948	46948
19	Thrustwasher - Diff Gear (std)	27	53236	2005518	32121	32121	32121
20	Shaft - Differential (std or t/l)	28	2005562	47658	43764	43764	43764
21	Pin - Diff Shaft Lock (std or t/l)	29	13449	13449	43765	43765	43765
22	Wheel Bearing Retainer	30	-	36797	49766	49766	49766
23	Wheel Bearing Assembly	31	(3)	565903	566075	566075	566075
24	Seal - Outboard Shaft	32	(3)	2011203	47787	47787	47787
25	Oil Seal Retainer	33	-	2004703	76466X	76466X	76466X
26	Bolt - Axle Shaft	36	(3)	2004789	49258	49258	49258
			<b>606187</b>	<b>606507</b>	<b>606552</b>	<b>606553</b>	<b>606554</b>
1	Bearing Installation Kit	-	2017081	2017082	2017082	2017082	2017082
2	Master Overhaul Kit	-	2017092	2017093	2017093	2017093	2017093
3	KIT - Inner Pinion Bearing	4	707064X	707064X	707064X	707064X	707064X
4	Collapsible Spacer	5	43916	43916	43916	43916	43916
5	Seal - Pinion Oil	8	47885	50574	50574	50574	50574
6	Oil Seal	9	47886	47886	47886	47886	47886
7	End Yoke/Companion Flange	10	2-1-2961(3)	2-4-6541-1(3)	2-4-6541-1(3)	2-1-2961(3)	2-1-2961
8	Pinion Nut	12	30271	30271	30271	30271	30271
9	KIT - Carrier Cover (inc 13,14,15)	-	707494-2X	707494-2X	707494-2X	707494-2X	707494-2X
10	Carrier Cover	13	48174-2	48174-2	48174-2	48174-2	48174-2
11	Plug - Carrier Cover	14	51489	51489	51489	51489	51489
12	Differential Shim	17	46582-(5)	46582-(5)	46582-(5)	46582-(5)	46582-(5)
13	Bolt - Differential Bearing Cap	19	41212	41212	41212	41212	41212
14	KIT - Differential Bearing	20	706988X	706988X	706988X	706988X	706988X
15	Bolt - Drive Gear	22	45784	701071-10	701071-10	701071-10	701071-10
16	Pinion - Differential (std or t/l)	24	43809	43809	43809	43809	43809
17	Gear - Differential (std)	25	44270	44270	44270	44270	44270
18	Thrustwasher - Diff Pinion (std)	26	46948	46948	46948	46948	46948
19	Thrustwasher - Diff Gear (std)	27	32121	32121	32121	32121	32121
20	Shaft - Differential (std or t/l)	28	43764	43764	43764	43764	43764
21	Pin - Diff Shaft Lock (std or t/l)	29	43765	43765	43765	43765	43765
22	Wheel Bearing Retainer	30	49766	49766	49766	49766	49766
23	Wheel Bearing Assembly	31	566075	566075	566075	566075	566075
24	Seal - Outboard Shaft	32	47787	47787	47787	47787	47787
25	Oil Seal Retainer	33	76466X	76466X	76466X	76466X	76466X
26	Bolt - Axle Shaft	36	49258	49258	49258	49258	49258

(3) Contact Vehicle Manufacturer

(5) See shim table in the back of this catalog

# Jeep Super 44 /226 Rear (WK/WJ/XK)

## Variable Parts Listing

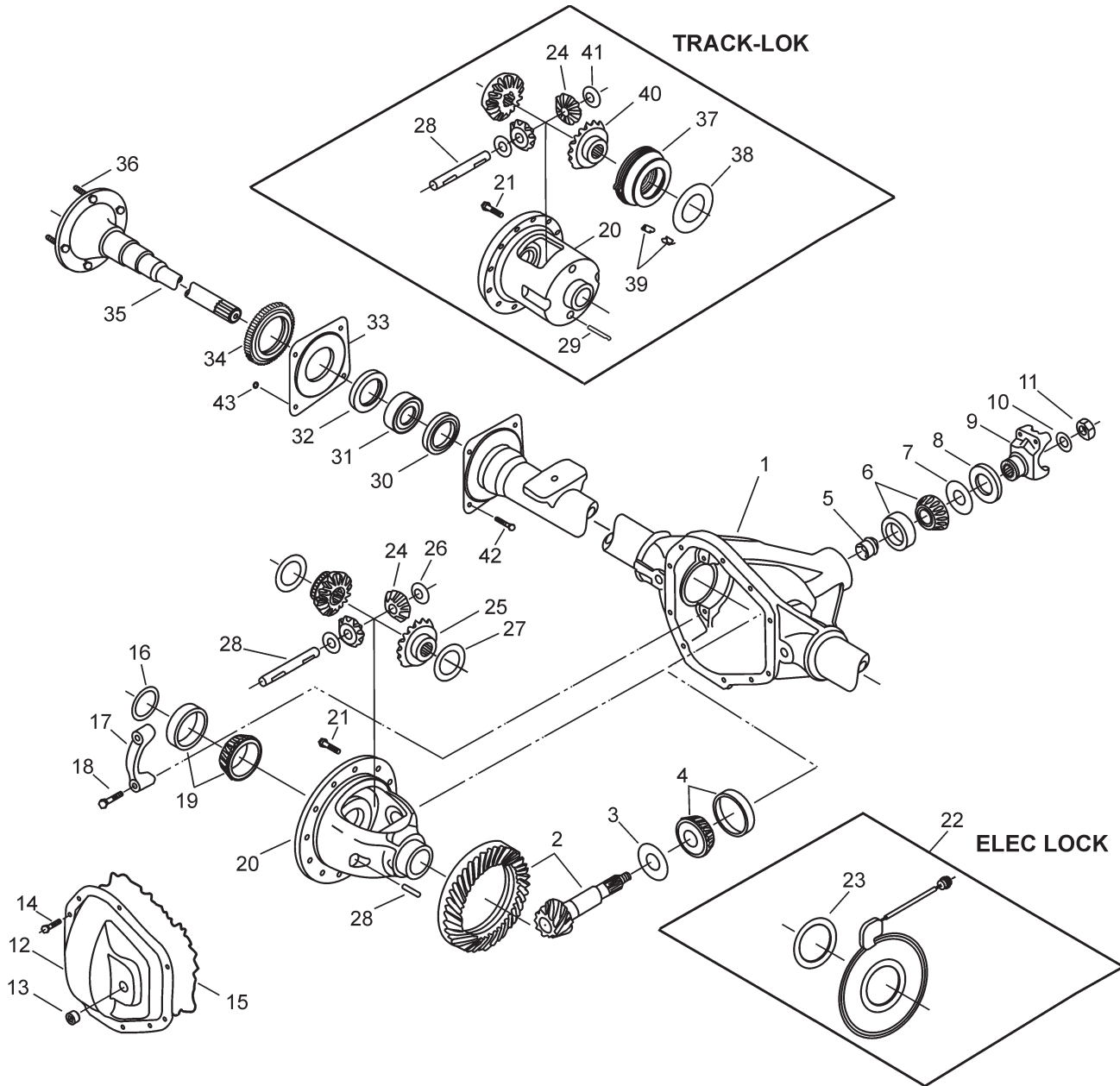
Kits & Parts - Use With All Applications							
Description & Item Number (Refer to "Exploded View" at the front of this section)			Bills of Material				
			606555	606672	606674	606877	606878
1	Bearing Installation Kit	-	2017082	2017082	2017082	2017082	2017082
2	Master Overhaul Kit	-	2017093	2017093	2017093	2017093	2017093
3	KIT - Inner Pinion Bearing	4	707064X	707064X	707064X	707064X	707064X
4	Collapsible Spacer	5	43916	43916	43916	43916	43916
5	Seal - Pinion Oil	8	50574	50574	50574	50574	50574
6	Oil Seal	9	47886	47886	47886	47886	47886
7	End Yoke/Companion Flange	10	2-4-6541-1(3)	2-1-2961(3)	2-1-2961(3)	2-4-6541-1	2-4-6541-1
8	Pinion Nut	12	30271	30271	30271	30271	30271
9	KIT - Carrier Cover (inc 13,14,15)	-	707494-2X	707494-2X	707494-2X	707494-2X	707494-2X
10	Carrier Cover	13	48174-2	48174-2	48174-2	48174-2	48174-2
11	Plug - Carrier Cover	14	51489	51489	51489	51489	51489
12	Differential Shim	17	46582-(5)	46582-(5)	46582-(5)	46582-(5)	46582-(5)
13	Bolt - Differential Bearing Cap	19	41212	41212	41212	41212	41212
14	KIT - Differential Bearing	20	706988X	706988X	706988X	706988X	706988X
15	Bolt - Drive Gear	22	701071-10	701071-10	701071-10	701071-10	701071-10
16	Pinion - Differential (std or t/l)	24	43809	-	43809	-	43809
17	Gear - Differential (std)	25	44270	-	44270	-	44270
18	Thrustwasher - Diff Pinion (std)	26	46948	-	46948	-	46948
19	Thrustwasher - Diff Gear (std)	27	32121	-	32121	-	32121
20	Shaft - Differential (std or t/l)	28	43764	-	51418	-	51418
21	Pin - Diff Shaft Lock (std or t/l)	29	43765	-	43765	-	43765
22	Wheel Bearing Retainer	30	49766	49766	49766	49766	49766
23	Wheel Bearing Assembly	31	566075	566075	566075	566075	566075
24	Seal - Outboard Shaft	32	47787	47787	47787	47787	47787
25	Oil Seal Retainer	33	76466X	76466X	76466X	76466X	76466X
26	Bolt - Axle Shaft	36	49258	49258	49258	49258	49258
			<b>606970</b>	<b>606971</b>	<b>606972</b>	<b>606973</b>	
1	Bearing Installation Kit	-	2017082	2017082	2017082	2017082	
2	Master Overhaul Kit	-	2017093	2017093	2017093	2017093	
3	KIT - Inner Pinion Bearing	4	707064X	707064X	707064X	707064X	
4	Collapsible Spacer	5	43916	43916	43916	43916	
5	Seal - Pinion Oil	8	50574	50574	50574	50574	
6	Oil Seal	9	47886	47886	47886	47886	
7	End Yoke/Companion Flange	10	2-4-6541-1(3)	5-4-6541-1(3)	2-4-6541-1	2-4-6541-1	
8	Pinion Nut	12	30271	30271	30271	30271	
9	KIT - Carrier Cover (inc 13,14,15)	-	707494-2X	707494-2X	707494-2X	707494-2X	
10	Carrier Cover	13	48174-2	48174-2	48174-2	48174-2	
11	Plug - Carrier Cover	14	51489	51489	51489	51489	
12	Differential Shim	17	46582-(5)	46582-(5)	46582-(5)	46582-(5)	
13	Bolt - Differential Bearing Cap	19	41212	41212	41212	41212	
14	KIT - Differential Bearing	20	706988X	706988X	706988X	706988X	
15	Bolt - Drive Gear	22	701071-10	701071-10	701071-10	701071-10	
16	Pinion - Differential (std or t/l)	24	43809	43809	-	43809	
17	Gear - Differential (std)	25	44270	44270	-	44270	
18	Thrustwasher - Diff Pinion (std)	26	46948	46948	-	46948	
19	Thrustwasher - Diff Gear (std)	27	32121	32121	-	32121	
20	Shaft - Differential (std or t/l)	28	43764	43764	-	51418	
21	Pin - Diff Shaft Lock (std or t/l)	29	43765	43765	-	43765	
22	Wheel Bearing Retainer	30	49766	49766	49766	49766	
23	Wheel Bearing Assembly	31	566075	566075	566075	566075	
24	Seal - Outboard Shaft	32	47787	47787	47787	47787	
25	Oil Seal Retainer	33	76466X	76466X	76466X	76466X	
26	Bolt - Axle Shaft	36	49258	49258	49258	49258	

(3) Contact Vehicle Manufacturer

(5) See shim table in the back of this catalog

# **Model Super 44 /226 Rear Axles for JK (Wrangler)**

# Jeep Super 44 /226 Rear (JK) Exploded View



# Jeep Super 44 /226 Rear (JK)

## Parts Listing

ITEM NO.	PART NUMBER	DESCRIPTION	ITEM NO.	PART NUMBER	DESCRIPTION
1	-(3)	Housing - Axle Service		701071-10	Bolt - 7/16" (3/4" head) 3/4" lg
2	-(1)	Drive Pinion & Gear Assembly		703034	Bolt - 1/2" (13/16" head) 31/32" lg
3	41214- (5)	Inner Pinion Shims	22	2005193	Solenoid Assembly (e/l)
	-(2)	Bearing Installation Kit	23	2005192	Thrustwasher - Solenoid Assy (e/l)
	-(2)	Master Overhaul Kit	24	50474	Pinion - Differential (std or t/l)
4	707064X	KIT - Inner Pinion Bearing	25	52380	Gear - Differential (std)
5	-(2)	Collapsible Spacer	26	46948	Thrustwasher - Diff Pinion (std)
6	706123X	KIT - Outer Pinion Bearing	27	2005518	Thrustwasher - Diff Gear (std)
7	42737	Thrustwasher	28	47658	Shaft - Differential (std or t/l)
8	2004101	Seal - Pinion Oil	29	13449	Pin - Diff Shaft Lock (std or t/l)
9	2004431	Companion Flange	30	36797	Wheel Bearing Retainer
10	30275	Washer - Pinion Nut	31	565903	Wheel Bearing Assembly
11	2001153	Pinion Nut	32	52765	Seal - Outboard Shaft
	707111X	KIT - Carrier Cover (inc 12,13,14)	33	2004703	Oil Seal Retainer
12	42960-1	Carrier Cover	34	2004403	Tone Ring (ABS only)
13	-(2)	Plug - Carrier Cover	35	-(1)	Axle Shaft
14	34279	Bolt - Carrier Cover (qty 10)	36	2004789	Bolt - Axle Shaft
15	38615	RTV Silicone Sealant	37	2007326	KIT - Diff Plate and Disc (t/l)
16	-(2)	Differential Shim			(inc items 38, 39, 40)
17	-(3)	Differential Bearing Cap	38	-(4)	Disc - Differential (t/l)
18	48632-1	Bolt - Differential Bearing Cap	39	-(4)	Plate - Diff. Pressure (t/l)
19	-(2)	KIT - Differential Bearing	40	40835	Clip - Diff Clutch Retainer (t/l)
20	-(1)	Case - Differential	41	52381	Gear - Differential (t/l)
		(Elec Lok - Serviced only as an assembled unit)	42	43810	Thrustwasher - Pinion (t/l)
21	701125-1X	Bolt - 7/16" (3/4" head) 15/16" lg	43	-(3)	Bolt - Brake Mounting
			44	-(3)	Nut - Brake Mounting

- (1) See "Bill of Material Table" on next page  
(2) See "Variable Parts Table" within this section  
(3) Contact Vehicle Manufacturer  
(4) Not Sold Separately  
(5) See shim table in the back of this catalog

# Jeep Super 44 /226 Rear (JK) Bill of Material Table

Axle			Axle Kits				Shaft & Joint Assy.	
Bill of Material	Diff. Type	Ratio	Ring Gear & Pinion Kit <sup>(7)</sup>	Differential			Right Hand Shaft Assy.	Left Hand Shaft Assy.
				Case Assy. Kit <sup>(8)</sup>	Case Kit	Inner Parts Kit		
<b>2007 JK</b>								
*2005146-1	Standard	3.21	2007774-5	2008572	-	2009155	2004449-1	2004449-1
*2005146-2	Trac Lok	3.21	2007774-5	2008571	-	2009156	2004449-1	2004449-1
*2005146-3	Standard	4.10	2007772-5	2008572	-	2009155	2004449-1	2004449-1
*2005146-4	Trac Lok	4.10	2007772-5	2008571	-	2009156	2004449-1	2004449-1
*2005147-1	Standard	3.21	2007774-5	2008572	-	2009155	2004449-1	2004449-1
*2005147-2	Standard	4.10	2007772-5	2008572	-	2009155	2004449-1	2004449-1
*2005148-1	Elec. Lock	4.10	2007772-5	2008559	-	-	2004785-3	2004785-2
*2005149-1	Elec. Lock	4.10	2007772-5	2008559	-	-	2004785-3	2004785-2
*2006788-1	Standard	3.21	2007774-5	2008572	-	2009155	2004449-1	2004449-1
*2006788-2	Trac Lok	3.21	2007774-5	2008571	-	2009156	2004449-1	2004449-1
*2006788-3	Standard	4.10	2007772-5	2008572	-	2009155	2004449-1	2004449-1
*2006788-4	Trac Lok	4.10	2007772-5	2008571	-	2009156	2004449-1	2004449-1
*2006789-1	Standard	3.21	2007774-5	2008572	-	2009155	2004449-1	2004449-1
*2006789-2	Standard	4.10	2007772-5	2008572	-	2009155	2004449-1	2004449-1
*2006790-1	Elec. Lock	4.10	2007772-5	2008559	-	-	2004785-3	2004785-2
*2006791-1	Elec. Lock	4.10	2007772-5	2008559	-	-	2004785-3	2004785-2
*2007024-1	Standard	3.21	2007774-5	2008572	-	2009155	2004449-1	2004449-1
*2007024-2	Trac Lok	3.21	2007774-5	2008571	-	2009156	2004449-1	2004449-1
*2007024-3	Standard	4.10	2007772-5	2008572	-	2009155	2004449-1	2004449-1
*2007024-4	Trac Lok	4.10	2007772-5	2008571	-	2009156	2004449-1	2004449-1
*2007025-1	Standard	3.21	2007774-5	2008572	-	2009155	2004449-1	2004449-1
*2007025-2	Standard	4.10	2007772-5	2008572	-	2009155	2004449-1	2004449-1
*2007026-1	Elec. Lock	4.10	2007772-5	2008559	-	-	2004785-3	2004785-2
*2007027-1	Elec. Lock	4.10	2007772-5	2008559	-	-	2004785-3	2004785-2
2008491-1	Standard	3.21	2007774-5	2008572	-	2009155	2004449-1	2004449-1
2008491-2	Standard	4.10	2007772-5	2008572	-	2009155	2004449-1	2004449-1
2008491-3	Trac Lok	3.21	2007774-5	2008571	-	2009156	2004449-1	2004449-1
2008491-4	Trac Lok	4.10	2007772-5	2008571	-	2009156	2004449-1	2004449-1
2008492-1	Standard	3.21	2007774-5	2008572	-	2009155	2004449-1	2004449-1
2008492-2	Standard	4.10	2007772-5	2008572	-	2009155	2004449-1	2004449-1
2008494-1	Elec. Lock	4.10	2007772-5	2008559	-	-	2004785-3	2004785-2
<b>2007-09 JK</b>								
2008493-1	Elec. Lock	4.10	2007772-5	2008559	-	-	2004785-3	2004785-2
<b>2008 JK</b>								
2008674-1	Standard	3.73	2008688-5	2008572	-	2009155	2004449-1	2004449-1
2008675-1	Standard	3.73	2008688-5	2008572	-	2009155	2004449-1	2004449-1
2008676-1	Elec. Lock	3.73	2008688-5	2008559	-	-	2004785-3	2004785-2
2008677-1	Elec. Lock	3.73	2008688-5	2008559	-	-	2004785-3	2004785-2
2008809-1	Trac Lok	3.73	2008688-5	2008571	-	2009156	2004449-1	2004449-1

(7) See Ring Gear & Pinion Kits in XGI Catalog for ratio & tooth combinations.

(8) See Differential Case Assy Kits in XGI Catalog for spline data & ratios.

(9) Serviced with complete differential case assembly kit only.

\* Some 2007 JK Wrangler rear axles were produced with components using 7/16"-20 ring gear screws. When servicing one of these axles, the differential case assembly, ring gear and pinion assembly and ring gear screws must be replaced with their 1/2"-20 equivalents. The part numbers listed in the bill of material table are correct for the 1/2"-20 components.



# Jeep Super 44 /226 Rear (JK)

## Bill of Material Table

Axle			Axle Kits				Shaft & Joint Assy.	
Bill of Material	Diff. Type	Ratio	Ring Gear & Pinion Kit <sup>(7)</sup>	Differential			Right Hand Shaft Assy.	Left Hand Shaft Assy.
				Case Assy. Kit <sup>(8)</sup>	Case Kit	Inner Parts Kit		
<b>2008-11 JK</b>								
2011960-1	Elec. Lock	3.73	2008688-5	2008559	-	-	2004785-3	2004785-2
<b>2008-14 JK</b>								
2011958-1	Standard	3.21	2007774-5	2008572	-	2009155	2004449-1	2004449-1
2011958-2	Standard	3.73	2008688-5	2008572	-	2009155	2004449-1	2004449-1
2011958-3	Trac Lok	3.21	2007774-5	2008571	-	2009156	2004449-1	2004449-1
2011958-4	Trac Lok	3.73	2008688-5	2008571	-	2009156	2004449-1	2004449-1
2011959-1	Standard	3.21	2007774-5	2008572	-	2009155	2004449-1	2004449-1
2011959-2	Standard	3.73	2008688-5	2008572	-	2009155	2004449-1	2004449-1
2011961-1	Elec. Lock	4.10	2007772-5	2008559	-	-	2004785-3	2004785-2
2011962-1	Elec. Lock	4.10	2007772-5	2008559	-	-	2004785-3	2004785-2
<b>2011-14 JK</b>								
2011963-1	Elec. Lock	3.73	2008688-5	2008559	-	-	2004785-3	2004785-2
<b>2012 JK</b>								
2015388-1	Standard	3.21	2007774-5	2008572	-	2009155	2011806-1	2011806-1
2015388-2	Standard	3.73	2008688-5	2008572	-	2009155	2011806-1	2011806-1
2015388-3	Standard	3.21	2007774-5	2008571	-	2009156	2011806-1	2011806-1
2015388-4	Standard	3.73	2008688-5	5008571	-	2009156	2011806-1	2011806-1
2015389-1	Elec. Lock	3.73	2008688-5	2008559	-	-	2012800-1	2012800-2
2015389-2	Elec. Lock	4.10	2007772-5	2008559	-	-	2012800-1	2012800-2
2016470-1	Standard	3.21	2007774-5	2008572	-	2009155	2011806-1	2011806-1
2016470-2	Standard	3.73	2008688-5	2008572	-	2009155	2011806-1	2011806-1
2016471-1	Elec. Lock	4.10	2007772-5	2008559	-	-	2012800-2	2012800-1
<b>2014-15 JK LHD</b>								
10007259	Standard	3.21	2007774-5	2008572	-	2009155	2004449-1	2004449-1
10007260	Standard	3.73	2008688-5	2008572	-	2009155	2004449-1	2004449-1
10007261	Trac Lok	3.21	2007774-5	2008572	-	2009155	2004449-1	2004449-1
10007262	Trac Lok	3.73	2008688-5	2008571	-	2009156	2004449-1	2004449-1
10007269	Elec. Lock	4.10	2007772-5	2008559	-	-	2004785-3	2004785-2
10007271	Elec. Lock	3.73	2008688-5	2008559	-	-	2004785-3	2004785-2
<b>2014-15 JK RHD</b>								
10007264	Standard	3.21	2007774-5	2008572	-	2009155	2004449-1	2004449-1
10007265	Standard	3.73	2008688-5	2008572	-	2009155	2004449-1	2004449-1
10007267	Elec. Lock	4.10	2007772-5	2008559	-	-	2004785-3	2004785-2
<b>2016 JK LHD</b>								
10029507	Standard	3.21	2007774-5	2008572	-	2009155	2004449-1	2004449-1
10029508	Standard	3.73	2008688-5	2008572	-	2009155	2004449-1	2004449-1
10029509	Trac Lok	3.21	2007774-5	2008571	-	2009156	2004449-1	2004449-1
10029510	Trac Lok	3.73	2008688-5	2008571	-	2009156	2004449-1	2004449-1
10029514	Elec. Lock	3.73	2008688-5	2008559	-	-	2004785-3	2004785-2
10029515	Elec. Lock	4.10	2007772-5	2008559	-	-	2004785-3	2004785-2
<b>2016 JK RHD</b>								
10029512	Standard	3.21	2007774-5	2008572	-	2009155	2004449-1	2004449-1
10029513	Standard	3.73	2008688-5	2008572	-	2009155	2004449-1	2004449-1
10029516	Elec. Lock	4.10	2007772-5	2008559	-	-	2004785-3	2004785-2
10029616	Elec. Lock	4.10	2007772-5	2008559	-	-	2004785-3	2004785-2

(7) See Ring Gear &amp; Pinion Kits in XGI Catalog for ratio &amp; tooth combinations.

(8) See Differential Case Assy Kits in XGI Catalog for spline data &amp; ratios.

(9) Serviced with complete differential case assembly kit only.

# Jeep Super 44 /226 Rear (JK) Variable Parts Listing

Kits & Parts - Use With All Applications							
Description & Item Number (Refer to "Exploded View" at the front of this section)			Bills of Material				
			10007259	10007260	10007261	10007262	10007264
1	Bearing Installation Kit	-	2017086	2017086	2017086	2017086	2017086
2	Master Overhaul Kit	-	2017109	2017109	2017109	2017109	2017109
3	Collapsible Spacer	5	10009430	10009430	10009430	10009430	10009430
4	Plug - Carrier Cover	13	43180	43180	43180	43180	43180
5	Differential Shim	16	701149X	701149X	701149X	701149X	701149X
6	KIT - Differential Bearing	19	706032X	706032X	706032X	706032X	706032X
			<b>10007265</b>	<b>10007267</b>	<b>10007269</b>	<b>10007271</b>	<b>10029507</b>
1	Bearing Installation Kit	-	2017086	2017087	2017087	2017087	2017086
2	Master Overhaul Kit	-	2017109	2017110	2017110	2017110	2017109
3	Collapsible Spacer	5	10009430	10009430	10009430	10009430	10009430
4	Plug - Carrier Cover	13	43180	43180	43180	43180	43180
5	Differential Shim	16	701149X	2007294	2007294	2007294	701149X
6	KIT - Differential Bearing	19	706032X	2007293	2007293	2007293	706032X
			<b>10029508</b>	<b>10029509</b>	<b>10029510</b>	<b>10029512</b>	<b>10029513</b>
1	Bearing Installation Kit	-	2017086	2017086	2017086	2017086	2017086
2	Master Overhaul Kit	-	2017109	2017109	2017109	2017109	2017109
3	Collapsible Spacer	5	10009430	10009430	10009430	10009430	10009430
4	Plug - Carrier Cover	13	43180	43180	43180	43180	43180
5	Differential Shim	16	701149X	701149X	701149X	701149X	701149X
6	KIT - Differential Bearing	19	706032X	706032X	706032X	706032X	706032X
			<b>10029514</b>	<b>10029515</b>	<b>10029516</b>	<b>10029616</b>	<b>2005146</b>
1	Bearing Installation Kit	-	2017087	2017087	2017087	2017086	2017086
2	Master Overhaul Kit	-	2017110	2017110	2017110	2017109	2017102
3	Collapsible Spacer	5	10009430	10009430	10009430	10009430	46925
4	Plug - Carrier Cover	13	43180	43180	43180	43180	43181
5	Differential Shim	16	2007294	2007294	2007294	2007294	701149X
6	KIT - Differential Bearing	19	2007293	2007293	2007293	2007293	706032X
			<b>2005147</b>	<b>2005148</b>	<b>2005149</b>	<b>2006788</b>	<b>2006789</b>
1	Bearing Installation Kit	-	2017086	2017087	2017087	2017086	2017086
2	Master Overhaul Kit	-	2017102	2017103	2017103	2017102	2017102
3	Collapsible Spacer	5	46925	46925	46925	46925	46925
4	Plug - Carrier Cover	13	43181	43181	43181	43181	43181
5	Differential Shim	16	701149X	2007294	2007294	701149X	701149X
6	KIT - Differential Bearing	19	706032X	2007293	2007293	706032X	706032X
			<b>2006790</b>	<b>2006791</b>	<b>2007024</b>	<b>2007025</b>	<b>2007026</b>
1	Bearing Installation Kit	-	2017087	2017087	2017086	2017086	2017087
2	Master Overhaul Kit	-	2017103	2017103	2017102	2017102	2017103
3	Collapsible Spacer	5	46925	46925	46925	46925	46925
4	Plug - Carrier Cover	13	43181	43181	43181	43181	43181
5	Differential Shim	16	2007294	2007294	701149X	701149X	2007294
6	KIT - Differential Bearing	19	2007293	2007293	706032X	706032X	2007293

## Variable Parts Listing

Kits & Parts - Use With All Applications							
Description & Item Number (Refer to "Exploded View" at the front of this section)			Bills of Material				
			2007027	2008491	2008492	2008493	2008494
1	Bearing Installation Kit	-	2017087	2017086	2017086	2017087	2017087
2	Master Overhaul Kit	-	2017103	2017109	2017109	2017110	2017110
3	Collapsible Spacer	5	46925	46925	46925	46925	46925
4	Plug - Carrier Cover	13	43181	43181	43181	43181	43181
5	Differential Shim	16	2007294	701149X	701149X	2007294	2007294
6	KIT - Differential Bearing	19	2007293	706032X	706032X	2007293	2007293
			<b>2008674</b>	<b>2008675</b>	<b>2008676</b>	<b>2008677</b>	<b>2008809</b>
1	Bearing Installation Kit	-	2017086	2017086	2017087	2017087	2017086
2	Master Overhaul Kit	-	2017109	2017109	2017110	2017110	2017109
3	Collapsible Spacer	5	46925	46925	46925	46925	46925
4	Plug - Carrier Cover	13	43181	43181	43181	43181	43181
5	Differential Shim	16	701149X	701149X	2007294	2007294	701149X
6	KIT - Differential Bearing	19	706032X	706032X	2007293	2007293	706032X
			<b>2011958</b>	<b>2011959</b>	<b>2011960</b>	<b>2011961</b>	<b>2011962</b>
1	Bearing Installation Kit	-	2017086	2017086	2017087	2017087	2017087
2	Master Overhaul Kit	-	2017109	2017109	2017110	2017110	2017110
3	Collapsible Spacer	5	46925	46925	46925	46925	46925
4	Plug - Carrier Cover	13	43181	43181	43181	43181	43181
5	Differential Shim	16	701149X	701149X	2007294	2007294	2007294
6	KIT - Differential Bearing	19	706032X	706032X	2007293	2007293	2007293
			<b>2011963</b>	<b>2015388</b>	<b>2015389</b>	<b>2016470</b>	<b>2016471</b>
1	Bearing Installation Kit	-	2017087	-	-	2017087	2017087
2	Master Overhaul Kit	-	2017110	-	-	2017110	2017110
3	Collapsible Spacer	5	46925	46925	46925	46925	46925
4	Plug - Carrier Cover	13	43181	43181	43181	43181	43181
5	Differential Shim	16	2007294	701149X	2007294	2007294	2007294
6	KIT - Differential Bearing	19	2007293	706032X	2007293	2007293	2007293

# Bearing Adjustment Shims

Part Number	Thickness	
	MM	Inch
<b>30207</b>		
30207-1(1)	0.08	.003
30207-2(1)	0.13	.005
30207-3(2)	0.25	.010
30207-4(2)	0.76	.030

(1) Qty 6 Included in 701108X  
 (2) Qty 4 Included in 701108X

Part Number	Thickness	
	MM	Inch
<b>30210</b>		
30210-1(1)	0.08	.003
30210-2(2)	0.13	.005
30210-3(3)	0.25	.010

(1) Qty 8 Included in 701010X  
 (2) Qty 6 Included in 701010X  
 (2) Qty 4 Included in 701010X

Part Number	Thickness	
	MM	Inch
<b>30214</b>		
30214-1*	0.08	.003
30214-2*	0.13	.005
30214-3*	0.25	.010
30214-4*	0.76	.030

\*Qty 4 Included in 701005X

Part Number	Thickness	
	MM	Inch
<b>30215</b>		
30215-1*	0.08	.003
30215-2*	0.13	.005
30215-3*	0.25	.010
30215-4*	0.76	.030

\*Qty 4 Included in 701004X

Part Number	Thickness	
	MM	Inch
<b>30215</b>		
31402-1(1)	0.08	.003
31402-2(2)	0.13	.005
31402-3(2)	0.25	.010
31402-4(2)	0.76	.030

(1) Qty 4 Included in 701121X  
 (2) Qty 2 Included in 701121X

Part Number	Thickness	
	MM	Inch
<b>41214</b>		
41214-6(4)	0.89	.035
41214-7(4)	0.91	.036
41214-8(4)	0.94	.037
41214-9(4)	0.97	.038
41214-10(4)	0.99	.039
41214-11(3)*	1.02	.040
41214-12(3)	1.04	.041
41214-13(3)*	1.07	.042
41214-14(3)	1.09	.043
41214-15(3)*	1.12	.044
41214-16(2)	1.14	.045
41214-17(2)*	1.17	.046
41214-18(2)	1.19	.047
41214-19(2)*	1.22	.048
41214-20(2)	1.24	.049
41214-21(1)*	1.27	.050
41214-22(1)	1.30	.051
41214-23(1)*	1.32	.052
41214-24(1)	1.35	.053
41214-25(1)*	1.37	.054

\*Included in 701140X  
 (1) Included in 72922-5X  
 (2) Included in 72922-4X  
 (3) Included in 72922-3X  
 (4) Included in 72922-2X

Part Number	Thickness	
	MM	Inch
<b>41316</b>		
41316-1*	0.36	.014
41316-2*	0.38	.015
41316-3*	0.41	.016
41316-4*	0.46	.018
41316-5*	0.51	.020
41316-6*	0.53	.021
41316-7*	0.56	.022
41316-8*	0.58	.023
41316-9*	0.76	.030

\* Included in 72921X

Part Number	Thickness	
	MM	Inch
<b>41459</b>		
41459-1*	0.76	.030
41459-2	0.79	.031
41459-3*	0.81	.032
41459-4	0.84	.033
41459-5*	0.86	.034
41459-6	0.89	.035
41459-7*	0.91	.036
41459-8	0.94	.037
41459-9*	0.97	.038
41459-10	0.99	.039
41459-11*	1.02	.040
41459-12	1.04	.041
41459-13*	1.07	.042
41459-14	1.09	.043
41459-15*	1.12	.044
41459-16	1.14	.045
41459-17*	1.17	.046
41459-18	1.19	.047
41459-19*	1.22	.048
41459-20	1.24	.049
41459-21*	1.27	.050
41459-22	1.30	.051
41459-23*	1.32	.052
41459-24	1.35	.053
41459-25	1.37	.054
41459-26	0.51	.020
41459-27	0.63	.021

\*Included in 701130X

Part Number	Thickness	
	MM	Inch
<b>42104</b>		
42104-1*	3.66	.144
42104-2	3.68	.145
42104-3*	3.71	.146
42104-4	3.73	.147
42104-5*	3.76	.148
42104-6	3.78	.149
42104-7*	3.81	.150
42104-8	3.84	.151
42104-9*	3.86	.152
42104-10	3.89	.153
42104-11*	3.91	.154
42104-12	3.94	.155
42104-13*	3.96	.156
42104-14	3.99	.157
42104-15*	4.01	.158
42104-16	4.04	.159
42104-17*	4.06	.160
42104-18	4.09	.161
42104-19*	4.11	.162
42104-20	4.14	.163
42104-21*	4.17	.164
42104-22	4.19	.165
42104-23*	4.22	.166
42104-24	4.24	.167
42104-25*	4.27	.168
42104-26	4.29	.169
42104-27*	4.32	.170
42104-28	4.34	.171
42104-29*	4.37	.172
42104-30	4.39	.173
42104-31*	4.42	.174
42104-32	4.45	.175
42104-33	4.47	.176
42104-34	4.50	.177
42104-35	4.52	.178
42104-45	4.55	.179
42104-46	4.57	.180
42104-47	4.60	.181
42104-48	4.62	.182
42104-49	4.65	.183

\* Included in 73139X

# Bearing Adjustment Shims

Part Number	Thickness	
	MM	Inch
44035-1	0.97	.038
44035-2	0.99	.039
44035-3	1.02	.040
44035-4	1.04	.041
44035-5	1.06	.042
44035-6	1.09	.043
44035-7	1.12	.044
44035-8	1.14	.045
44035-9	1.17	.046
44035-10	1.19	.047
44035-11	1.22	.048
44035-12	1.24	.049
44035-13	1.27	.050
44035-14	1.30	.051
44035-15	1.32	.052
44035-16	1.35	.053
44035-17	1.37	.054
44035-18	1.40	.055
44035-19	1.42	.056
44035-20	1.45	.057
44035-21	1.47	.058
44035-22	1.50	.059
44035-23	1.52	.060
44035-24	1.55	.061
44035-25	1.57	.062
44035-26	1.60	.063
44035-27	1.63	.064
44035-28	1.65	.065
44035-29	1.68	.066
44453-135*	1.350	.053
44453-137	1.370	.054
44453-140*	1.400	.055
44453-142	1.420	.056
44453-145*	1.450	.057
44453-147	1.470	.058
44453-150*	1.500	.059
44453-152	1.520	.060
44453-155*	1.550	.061
44453-157	1.570	.062
44453-160*	1.600	.063
44453-163	1.630	.064
44453-165*	1.650	.065
44453-168	1.680	.066
44453-170*	1.700	.067
44453-173	1.730	.068
44453-175*	1.750	.069
44453-178	1.780	.070
44453-180*	1.800	.071
44453-183	1.830	.072
44453-185*	1.850	.073
44453-188	1.880	.074
44453-191	1.910	.075
44453-193	1.930	.076
44453-196	1.960	.077
44453-198	1.980	.078

Part Number	Thickness	
	MM	Inch
44035-12	1.240	.049
44035-13	1.270	.050
44035-14	1.300	.051
44035-15	1.320	.052
44035-16	1.350	.053
44035-17	1.370	.054
44035-18	1.400	.055
44035-19	1.420	.056
44035-20	1.450	.057
44035-21	1.470	.058
44035-22	1.500	.059
44035-23	1.520	.060
44035-24	1.550	.061
44035-25	1.570	.062
44035-26	1.600	.063
44035-27	1.630	.064
44035-28	1.650	.065
44035-29	1.680	.066

Part Number	Thickness	
	MM	Inch
44453		
44453-135*	1.350	.053
44453-137	1.370	.054
44453-140*	1.400	.055
44453-142	1.420	.056
44453-145*	1.450	.057
44453-147	1.470	.058
44453-150*	1.500	.059
44453-152	1.520	.060
44453-155*	1.550	.061
44453-157	1.570	.062
44453-160*	1.600	.063
44453-163	1.630	.064
44453-165*	1.650	.065
44453-168	1.680	.066
44453-170*	1.700	.067
44453-173	1.730	.068
44453-175*	1.750	.069
44453-178	1.780	.070
44453-180*	1.800	.071
44453-183	1.830	.072
44453-185*	1.850	.073
44453-188	1.880	.074
44453-191	1.910	.075
44453-193	1.930	.076
44453-196	1.960	.077
44453-198	1.980	.078

\* Included in 701112X

Part Number	Thickness	
	MM	Inch
46582		
46582-282(7,10)	2.810	.111
46582-284	2.840	.112
46582-287(7)	2.870	.113
46582-290(10)	2.900	.114
46582-292(7)	2.920	.115
46582-295	2.950	.116
46582-297(7,10)	2.970	.117
46582-300	3.000	.118
46582-302(7)	3.020	.119
46582-305 (10)	3.050	.120
46582-307(6)	3.070	.121
46582-310(6)	3.100	.122
46582-312(6,10)	3.120	.123
46582-315(6)	3.150	.124
46582-318(6)	3.180	.125
46582-320(5,9)	3.200	.126
46582-323(5)	3.230	.127
46582-325(5)	3.250	.128
46582-328(5,9)	3.280	.129
46582-330(5)	3.300	.130
46582-333(4)	3.330	.131
46582-335(4,9)	3.350	.132
46582-338(4)	3.380	.133
46582-340(4)	3.400	.134
46582-343(4,9)	3.430	.135
46582-345(3)	3.450	.136
46582-348(3)	3.480	.137
46582-351(3,9)	3.510	.138
46582-353(3)	3.530	.139
46582-356(3)	3.560	.140
46582-358(2,8)	3.580	.141
46582-361(2)	3.610	.142
46582-363(2)	3.630	.143
46582-366(2,8)	3.660	.144
46582-368(2)	3.680	.145
46582-371	3.710	.146
46582-373(1,8)	3.730	.147
46582-376	3.760	.148
46582-378(1)	3.780	.149
46582-381(8)	3.810	.150
46582-384(1)	3.840	.151
46582-386	3.860	.152
46582-389(1,8)	3.890	.153
46582-391	3.910	.154
46582-394(1)	3.940	.155

- (1) Included in 702005-7
- (2) Included in 702005-6
- (3) Included in 702005-5
- (4) Included in 702005-4
- (5) Included in 702005-3
- (6) Included in 702005-2
- (7) Included in 702005-1
- (8) Included in 701174-3X
- (9) Included in 701174-2X
- (10) Included in 701174-1X

Part Number	Thickness	
	MM	Inch
47252		
47252-295	2.95	.116
47252-297	2.97	.117
47252-300	3.00	.118
47252-302	3.02	.119
47252-305	3.05	.120
47252-307	3.07	.121
47252-310	3.10	.122
47252-312*	3.12	.123
47252-315	3.15	.124
47252-318	3.18	.125
47252-320*	3.20	.126
47252-323	3.23	.127
47252-325	3.25	.128
47252-328*	3.28	.129
47252-330	3.30	.130
47252-333	3.33	.131
47252-335*	3.35	.132
47252-338	3.38	.133
47252-340	3.40	.134
47252-343*	3.43	.135
47252-345	3.45	.136
47252-348	3.48	.137
47252-350*	3.51	.138
47252-353	3.53	.139
47252-356	3.56	.140
47252-358*	3.58	.141
47252-361	3.61	.142
47252-363*	3.63	.143
47252-366	3.66	.144
47252-368*	3.68	.145
47252-371	3.71	.146
47252-373	3.73	.147
47252-376*	3.76	.148
47252-378	3.78	.149
47252-381	3.81	.150
47252-384	3.84	.151
47252-386	3.86	.152

\* Included in 701149X

# Bearing Adjustment Shims

Part Number	Thickness	
	MM	Inch
49036-277*	2.77	.109
49036-279*	2.79	.110
49036-282*	2.82	.111
49036-284*	2.84	.112
49036-287*	2.87	.113
49036-290*	2.90	.114
49036-292*	2.92	.115
49036-295*	2.95	.116
49036-297*	2.97	.117
49036-300*	3.00	.118
49036-302*	3.02	.119
49036-305*	3.05	.120
49036-307*	3.07	.121
49036-310*	3.10	.122
49036-312*	3.12	.123
49036-315*	3.15	.124
49036-318*	3.18	.125
49036-320*	3.20	.126
49036-323*	3.23	.127
49036-325*	3.25	.128
49036-328*	3.28	.129
49036-330*	3.30	.130
49036-333*	3.33	.131
49036-335*	3.35	.132
49036-338*	3.38	.133
49036-340*	3.40	.134
49036-343*	3.43	.135
49036-345*	3.45	.136
49036-348*	3.48	.137
49036-351*	3.51	.138
49036-353*	3.53	.139
49036-356*	3.56	.140
49036-358*	3.58	.141
49036-361*	3.61	.142
49036-363*	3.63	.143
49036-366*	3.66	.144
49036-368*	3.68	.145
49036-371*	3.71	.146
49036-373*	3.73	.147
49036-376*	3.76	.148

\* Included in 703006  
 • Included in 701173X

Part Number	Thickness	
	MM	Inch
49634-1	0.97	.038
49634-2	0.99	.039
49634-3	1.02	.040
49634-4	1.04	.041
49634-5	1.07	.042
49634-6	1.09	.043
49634-7	1.12	.044
49634-8	1.14	.045
49634-9	1.17	.046
49634-10	1.19	.047
49634-11	1.22	.048
49634-12	1.24	.049
49634-13	1.27	.050
49634-14	1.30	.051
49634-15	1.32	.052
49634-16	1.35	.053
49634-17	1.37	.054
49634-18	1.40	.055
49634-19	1.42	.056
49634-20	1.45	.057
49634-21	1.47	.058
49634-22	1.50	.059
49634-23	1.52	.060
49634-24	1.55	.061
49634-25	1.57	.062
49634-26	1.60	.063
49634-27	1.63	.064
49634-28	1.65	.065
49634-29	1.68	.066
49634-30	1.70	.067
49634-31	1.73	.068
49634-32	1.75	.069
49634-33	1.78	.070
49634-34	1.80	.071
49634-35	1.83	.072
49634-36	1.85	.073
49634-37	1.88	.074
49634-38	1.91	.075
49634-39	1.93	.076
49634-40	1.96	.077
49634-41	1.98	.078
49634-42	2.01	.079
49634-43	2.03	.080
49634-44	2.06	.081
49634-45	2.08	.082
49634-46	2.11	.083
49634-47	2.13	.084

Part Number	Thickness	
	MM	Inch
50615-69	0.69	.027
50615-71	0.71	.028
50615-74	0.74	.029
50615-76	0.76	.030
50615-79	0.79	.031
50615-81	0.81	.032
50615-84	0.84	.033
50615-86*	0.86	.034
50615-89*	0.89	.035
50615-91*	0.91	.036
50615-94*	0.94	.037
50615-97*	0.97	.038
50615-99*	0.99	.039
50615-102*	1.02	.040
50615-104*	1.04	.041
50615-107*	1.07	.042
50615-109*	1.09	.043
50615-112*	1.12	.044
50615-114*	1.14	.045
50615-117*	1.17	.046
50615-119*	1.19	.047
50615-122*	1.22	.048
50615-124*	1.24	.049
50615-127*	1.27	.050
50615-130*	1.30	.051
50615-132*	1.32	.052
50615-135*	1.35	.053
50615-137*	1.37	.054
50615-140*	1.40	.055
50615-142*	1.42	.056
50615-145*	1.45	.057
50615-147*	1.47	.058
50615-150	1.50	.059
50615-152	1.52	.060
50615-155	1.55	.061
50615-158	1.58	.062
50615-160	1.60	.063
50615-163	1.63	.064
50615-165	1.65	.065

\* Included in 703007

Part Number	Thickness	
	MM	Inch
620410-1	0.08	.003
620410-2	0.13	.005
620410-3	0.25	.010
620410-4	0.76	.030

Part Number	Thickness	
	MM	Inch
2003782-297	2.97	.117
2003782-300	3.00	.118
2003782-302	3.02	.119
2003782-305	3.05	.120
2003782-307	3.07	.121
2003782-310	3.10	.122
2003782-312*	3.12	.123
2003782-315	3.15	.124
2003782-318	3.18	.125
2003782-320*	3.20	.126
2003782-323	3.23	.127
2003782-325	3.25	.128
2003782-328*	3.28	.129
2003782-330	3.30	.130
2003782-333	3.33	.131
2003782-335*	3.35	.132
2003782-338	3.38	.133
2003782-340	3.40	.134
2003782-343*	3.43	.135
2003782-345	3.45	.136
2003782-348	3.48	.137
2003782-351*	3.51	.138
2003782-353	3.53	.139
2003782-356	3.56	.140
2003782-358*	3.58	.141
2003782-361	3.61	.142
2003782-363*	3.63	.143
2003782-366	3.66	.144
2003782-368*	3.68	.145
2003782-371	3.71	.146
2003782-373	3.73	.147
2003782-376*	3.76	.148
2003782-378	3.78	.149
2003782-381	3.81	.150
2003782-384	3.84	.151
2003782-386	3.86	.152

\* Included in 2007294

# Bearing Adjustment Shims

Part Number	Thickness	
	MM	Inch
<b>2003905</b>		
2003905-297	2.97	0.117
2003905-300	3.00	0.118
2003905-302	3.02	0.119
2003905-305	3.05	0.120
2003905-307	3.07	0.121
2003905-310	3.10	0.122
2003905-312	3.12	0.123
2003905-315	3.15	0.124
2003905-318	3.18	0.125
2003905-320*	3.20	0.126
2003905-323	3.23	0.127
2003905-325	3.25	0.128
2003905-328*	3.28	0.129
2003905-330	3.30	0.130
2003905-333	3.33	0.131
2003905-335*	3.35	0.132
2003905-338	3.38	0.133
2003905-340	3.40	0.134
2003905-343*	3.43	0.135
2003905-345	3.45	0.136
2003905-348	3.48	0.137
2003905-351*	3.51	0.138
2003905-353	3.53	0.139
2003905-356	3.56	0.140
2003905-358	3.58	0.141
2003905-361	3.61	0.142
2003905-363	3.63	0.143
2003905-366	3.66	0.144
2003905-368	3.68	0.145
2003905-371	3.71	0.146
2003905-373	3.73	0.147
2003905-376	3.76	0.148
2003905-378	3.78	0.149
2003905-381	3.81	0.150
2003905-384	3.84	0.151
2003905-386	3.86	0.152

\* Included in 2005083-1

# NOTES



# NOTES

# NOTES



**Dana Aftermarket Group**

PO Box 1000  
Maumee, Ohio 43537

Warehouse Distributors: 1.800.621.8084  
OE Dealers: 1.877.777.5360

[www.SpicerParts.com](http://www.SpicerParts.com)

**SPICER**<sup>®</sup>



X510-6 Printed in U.S.A.  
Copyright Dana Limited, 2016.  
All rights reserved. Dana Limited.

