

# SPICER®



J3351-2-DAG

February 2017

## Wing® Series Driveshaft Catalog and Builder Guide



This catalog and builder guide provides necessary details for the most common Spicer wing-style driveshafts and parts. Additional applications are available upon request.



Product pictured is intended to be a representation of product category.

**OFF-HIGHWAY TOUGH.  
ENGINEERED FOR INNOVATION.**



**SPICER®**



## Spicer Wing® Series or C-Positive Type Driveshafts

Spicer Wing Series driveshafts main feature is that torque transfer occurs through mechanical drive by means of keys placed on bearing blocks. These keys are mated to corresponding slots machined on to the connecting fitting yokes.

This feature offers advantages for all applications characterized by continuous load variations or shock loads.

The main benefit of having bearing blocks directly connected to output flanges are:

- **Extremely high flexibility of use**
- **Fitting for all applications with short application lengths**
- **Smaller joints working angles**
- **Quicker dismantling of the whole shaft (4 bolts to each side)**
- **U-joint kits can be disassembled and replaced without dismantling the whole shaft, making field maintenance easier**

This type of driveshaft is already an established leader. A series of end fittings are available to facilitate its utilization.

For more information on Spicer Wing Series products, visit [www.SpicerParts.com](http://www.SpicerParts.com) or contact your authorized Spicer parts representative today.



[www.SpicerParts.com](http://www.SpicerParts.com)

©Dana Limited, 2016. All rights reserved. Dana Limited, Spicer® and Wing® Series are registered trademarks of Dana Limited.



How to use this Catalog .....	2
Wing in a Box Kit Part Listing .....	6
Bill of Material Guide by Style	
Spicer Wing® Series Driveshafts – Dust Cap Style .....	8
Spicer Wing® Series Driveshafts – Cover Tube Style .....	10
Spicer Wing® Series Driveshafts – Flanged.....	12
Spicer Wing® Series Short Couple – Style 1.....	14
Spicer Wing® Series Short Couple – Style 2.....	16
Spicer Wing® Series Short Couple – Style 3.....	18
Spicer Wing® Series Short Couple – Style 4.....	20
Spicer Wing® Series Double Joint – Plate Style.....	22
Spicer Wing® Series Double Joint – Tubular Style .....	24
Spicer Wing® Series Double Joint – With End Yoke .....	26
Spicer Wing® Series Coupling Shafts .....	28
Spicer Wing® Series U-Joint Kit Cross Reference .....	30
OEM to Spicer Base PN Interchange.....	34

## How To Use This Spicer Wing® Series Build Guide

**PURPOSE:** The purpose of this catalog is to provide you with a means of replacing any wing style driveshaft that is currently used in an existing application, no matter who the original manufacturer was, and with a new Spicer Wing® Series (formerly Italcardan) driveshaft that you assemble.

A “key” point to remember is:

ANY SPICER WING® SERIES SHAFT CAN REPLACE ANY OTHER WING STYLE SHAFT AS LONG AS YOU USE THE SAME SERIES, WITH THE SAME, OR MORE, SLIP AND THE SAME, OR LARGER O.D. TUBE (assuming clearance) THAT HAS THE SAME, OR LARGER, WALL THICKNESS.

**CAUTION:** THIS CATALOG IS NOT INTENDED FOR NEW APPLICATIONS OR ENGINEERING USE.



### WARNING: ROTATING DRIVESHAFTS

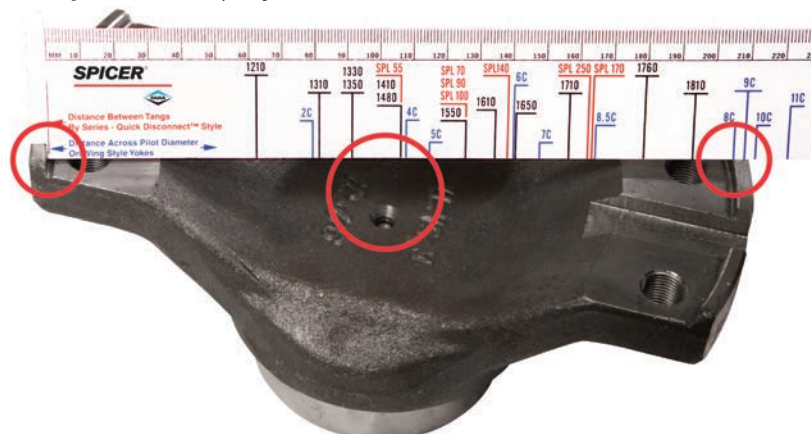
- Rotating auxiliary driveshafts are dangerous. You can snag clothes, skin, hair, hands, etc. This can cause serious injury or death.
- Do not go under the vehicle when the engine is running.
- Do not work on or near an exposed shaft when engine is running.
- Shut off engine before working on power take-off or driven equipment.
- Exposed rotating driveshafts must be guarded.

The catalog is organized by type/style of driveshaft and a complete bill of material is included for each of these listings.

### PROCEDURE:

IF YOU HAVE THE SHAFT, OR ARE LOOKING AT, OR MEASURING THE SHAFT WHILE IN ITS MACHINE:

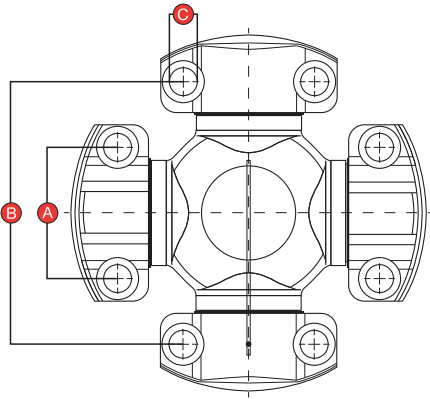
1. Look for a sticker on the shaft. If it is an Italcardan, or Spicer shaft, it should show the Italcardan part number and the customer number, along with the manufacturing facility (likely Italy, or Sterling, IL). Look for the bill of material for the shaft by using the Dana Expert at [www2.dana.com/expert](http://www2.dana.com/expert) or, look for the OEM part number in the interchange list in the back section of this catalog, then find the interchanged “Spicer Wing Series Base” number of the shaft, then look for that “base number” in the illustrated parts lists for the type of shaft. The bill of material will be there.
2. If the shaft does not have a sticker and part number, you can’t determine the “Spicer Base” part number, or you could not locate the “Spicer Base” part number in the illustrated parts list, determine the following:
  - a. The type of shaft it is, tubular, short couple, etc.
  - b. The installed length (the length from u-joint kit mounting face to u-joint kit mounting face, at mid-slip).
  - c. The amount of slip in the shaft. (overall length extended minus overall length collapsed), and...
  - d. The tube outside diameter and wall thickness, then....
  - e. Determine the type of u-joint kit you want in your shaft, Spicer offers re-lube and service free kits for many series.
  - f. To determine the u-joint series, you can measure the yokes using the Spicer® u-joint measurement ruler (3310-11). The most recent ruler has the same 10 Series and SPL Series call-outs you’re used to but is now longer and wider, and includes markings that allow you to quickly measure the pilot diameter of Spicer Wing® Series (formerly Italcardan) u-joints from size 2C to 15C.



# How To Use This Spicer Wing® Series Build Guide

g. You may also determine the u-joint series by referring to the dimensional listing in the following Wing Series Identification Chart

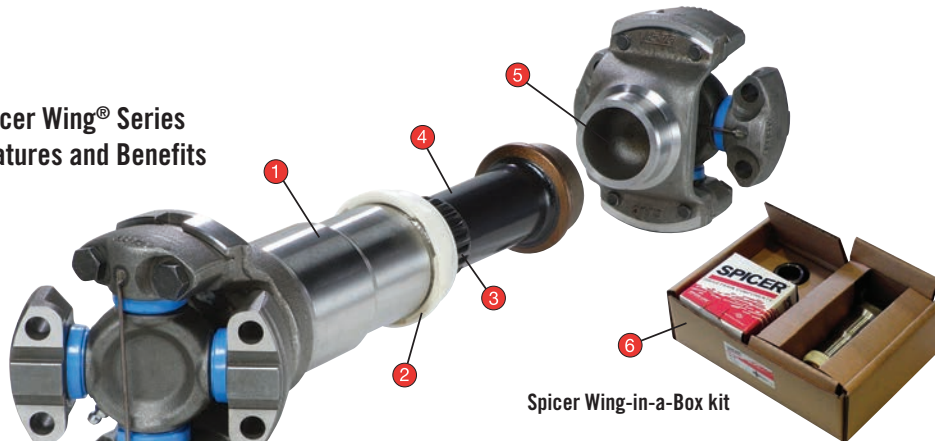
## Wing® Series Identification



Series	A	B	C
4C	36.52mm (1.44 in.)	87.32mm (3.44 in.)	8.75mm (0.34 in.)
5C	42.90mm (1.69 in.)	88.90mm (3.50 in.)	10.50mm (0.41 in.)
6C	42.90mm (1.69 in.)	114.30mm (4.50 in.)	10.50mm (0.41 in.)
7C	49.20mm (1.94 in.)	117.48mm (4.63 in.)	13.50mm (0.53 in.)
8C	49.20mm (1.94 in.)	174.60mm (6.87 in.)	13.50mm (0.53 in.)
8.5C	71.44mm (2.81 in.)	123.83mm (4.88 in.)	13.50mm (0.53 in.)
9C	71.44mm (2.81 in.)	168.25mm (6.62 in.)	13.50mm (0.53 in.)
10C	92.10mm (3.63 in.)	165.10mm (6.50 in.)	17.00mm (0.67 in.)
11C	88.90mm (3.50 in.)	172.70mm (6.80 in.)	20.00mm (0.79 in.)
12C	92.10mm (3.63 in.)	241.35mm (9.50 in.)	15.00mm (0.59 in.)
12.5C	92.00mm (3.62 in.)	227.00mm (10.63 in.)	19.00mm (0.75 in.)
14C	134.88mm (5.31 in.)	270.00mm (10.63 in.)	19.00mm (0.75 in.)
14.5C	107.00mm (4.21 in.)	252.00mm (9.92 in.)	24.00mm (0.94 in.)
15C	100.00mm(3.938 in.)	273.00mm (10.748 in.)	21.00mm (.827 in.)

- h. Go to the appropriate page in the section for the type of shaft you need and determine a bill of material.
- i. If your shaft contains tubing, determine your needed tube length for the type of shaft you have selected. In general, the tube length should be calculated by using the installed length, minus ½ the slip, minus the “T” dimension shown on the chart for the shaft you select. The “T” dimension is the total length of the compressed driveshaft less the tubing length.
- j. If your shaft is a short couple shaft, pick a bill of material that will allow you to install your new shaft into the application at, or near, mid-slip (“A” length plus ½ the slip).
- k. Most of these wing styles driveshafts use a slip assembly (matched slip units) and include the dust cap, seal, and relief valve where applicable. For the few that a slip assembly is not offered, the slip yoke assembly and tube shaft will need to be ordered individually as well as the dust cap, seal, and relief valve which are not included with the slip yoke assemblies.
- l. If applicable, a “Wing in A Box” (WIAB), driveshaft kit less tubing is also included in the bill of material listing with the OEM version for the particular “base” number noted as such.

### Spicer Wing® Series Features and Benefits



- 1 The slip yoke tube contains a welded plug.
- 2 The slip yoke assembly contains a state-of-the-art rubber seal.
- 3 The Spicer wing series shaft is manufactured with an involute spline, resulting in a larger surface area, better torque transfer, reduction of broken back instances, and reduced NVH.
- 4 The involute spline shaft has an anti-friction coating.
- 5 The bottom tube yoke is solid, preventing contamination from entering the driveshaft tubing.
- 6 Wing-in-a-Box kit, which includes two (2) u-joints, one (1) slip joint assembly, one (1) tube yoke, and eight (8) bolts.

# How To Use This Spicer Wing® Series Build Guide

The following charts show the Spicer Wing torque by series, the Spicer Wing® Series u-joint kits and their popular applications, and the Spicer Wing® Series u-joint kit smart part numbering explanation.

Series	Forging No.	Tcs (Nm)	Tcs (lb. ft.)
4C	108M40	3280	2419
5C	115M50	5650	4167
6C	140M60	7230	5332
7C	148M70	10700	7891
8C	206M80	15500	11432
8.5C	165M85	20300	14972
9C	209M90	27400	20209
10C	213M100	39700	29281
11C	222M110	41600	30682
12C	288M120	62200	45876
12.5C	280M220	82800	61070
14C	339M140V	120600	88950
14.5C	310M230	108200	79804
15C	260M150	75400	55612

## Tcs - Functional Limit Torque

This represents the maximum torque possible to be transferred through the driveshaft without any lowering in the function of the driveshaft assembly.

For example:

- No yielding in any of the assembly parts.
- No plastic deformation affecting the assembly negatively.
- No plastic deformation on the components of the Unit Pack assembly affecting the durability negatively.



Forging Number Location



## Spicer Wing® Series Application Chart

Series	Application	Service-Free U-Joint	Greasable U-Joint
4C		5-4211X	5-4111X
5C		5-5211X	5-5111X
6C		5-6211X	5-6111X
7C		5-7211X	5-7111X
8C		5-8211X	5-8111X
8.5C		5-85211X	5-85111X
9C		5-9211X	5-9111X
10C		5-10211X	5-10111X
11C		5-11211X	5-11111X
12C		5-12211X	5-12111X
12.5C		X	5-125111X
14C		5-14211X	5-14111X
14.5C		5-145211X	5-145111X
15C		5-15211X	5-15111X

### Legend



# Spicer® Wing Series Smart Part Number Explanation

**Prefix (Spicer® Standard) = 5-XXXX x**

Series	U-Joint Style	Bearing Block Style	Current Spicer Part #	Supersedes to	Driveshaft Series	Lube Style	Bearing block A style	Bearing block B style	Result
7C	R	HWD	050915000	➔	7	1	1	1	5-7111X
8.5C	R	2 HWD / 2LWT	050261000		85	1	1	4	5-85114X

Series	Lube Style	Bearing block style
4C = 4	1 = Relube	HWD = high wing, drilled hole
5C = 5	2 = Srv. Free	HWT = high wing, threaded hole
6C = 6		LWD = low wing, drilled hole
7C = 7		LWT = low wing, threaded hole
8C = 8		DW= delta shape wing
8.5C = 85		RND = round
9C = 9		
10C = 10		<b>BB Style code:</b>
11C = 11		HWD = 1
12C = 12		HWT = 2
12.5C = 125		LWD = 3
14C = 14		LWT = 4
14.5C = 145		DW = 5
15C = 15		RND = 6

**Note:** Part numbers ending with “M” suffix indicate Metric thread.

## Spicer Wing® Series Tubing Chart

Series	OD	Thickness	Length	Part Number
5C	2.283	0.157	1900mm	820580040-1900M
6C	2.756	0.157	1900mm	820700040-1900M
7C & 8.5C	3.543	0.197	1900mm	065550102-1900M
7C	3.465	0.157	1900mm	820880040-1900M
8.5C	3.937	0.236	1900mm	065580102-1900M
9C	4.526	0.295	1900mm	821150075-1900M
10C	5.669	0.276	1900mm	821440070-1900M
12C	6.299	0.394	1900mm	831600010-1900M

Each kit below contains (2) u-joint kits, (1) tube yoke, (1) slip assembly and (8) bolts

Series	WIAB PN	Type	Slip [mm]	Slip [in]	“T” Dim (in) (1)	Bolt	Recommended Tube
4C	600001000	Relube OEM	50	1.968	10.138	English	820500030-1900M
4C	600001044	Service Free OEM	50	1.968	10.138	English	820500030-1900M
5C	600001001	Relube OEM	60	2.362	12.106	English	820580040-1900M
5C	600001045	Service Free OEM	60	2.362	12.106	English	820580040-1900M
6C	600001002	Relube OEM	60	2.362	10.020	English	820700040-1900M
6C	600001046	Service Free OEM	60	2.362	10.020	English	820700040-1900M
7C	600001003	Relube OEM	130	5.118	14.878	English	065550102-1900M
7C	600001038	Service Free OEM	130	5.118	14.878	English	065550102-1900M
8C	600001007	Relube OEM	130	5.118	17.590	English	065580102-1900M
8C	600001047	Service Free OEM	130	5.118	17.590	English	065580102-1900M
8.5C	600001004	Relube OEM	130	5.118	17.976	English	065580102-1900M
8.5C	600001048	Service Free OEM	130	5.118	17.976	English	065580102-1900M
9C	600001005	Relube OEM	150	5.906	18.957	English	821150075-1900M
9C	600000999	Service Free OEM	150	5.906	18.957	English	821150075-1900M
10C	600001006	Relube OEM	150	5.906	23.858	English	821440070-1900M
10C	600001049	Service Free OEM	150	5.906	23.858	English	821440070-1900M
11C	600001008	Relube OEM	150	5.906	24.094	English	821440070-1900M
11C	600001050	Service Free OEM	150	5.906	24.094	English	821440070-1900M
12C	600001111	Relube OEM	135	5.315	23.031	Metric	831600010-1900M (2)
12.5C	600001110	Relube OEM	135	5.315	22.886	Metric	831600010-1900M (2)
14C	600001112	Relube OEM	130	5.118	26.220	Metric	832190133-1900M (3)
14.5C	600001113	Low Maintenance OEM	135	5.315	25.433	Metric	832190133-1900M (3)
15C	600001055	Relube OEM	130	5.118	23.012	Metric	831600010-1900M (2)
15C	600001056	Relube OEM	130	5.118	23.012	English	831600010-1900M (2)

(1) “T” Dim is used to determine the tubing length...The “T” Dim is the total length of an Assembled and Collapsed Driveshaft from mounting face to mounting face less the tubing length.

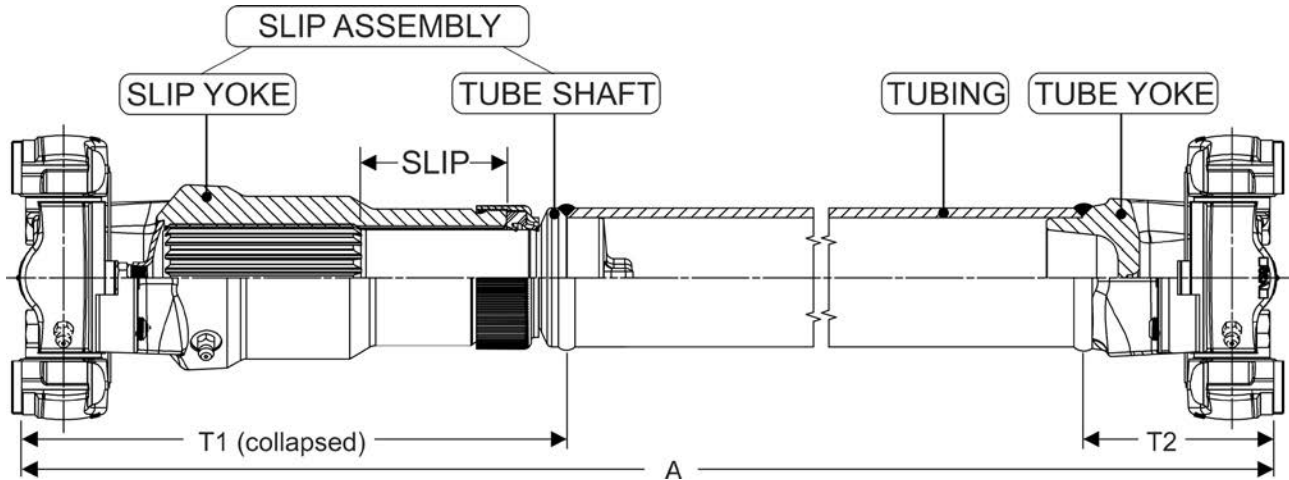
(2) The tube inside diameter should be turned to 5.551” at a depth of .984” then radiused on inside each end before installing the tube fittings into the tube.

(3) The tube inside diameter should be turned to 7.602” at a depth of .827” then radiused on inside each end before installing the tube fittings into the tube.



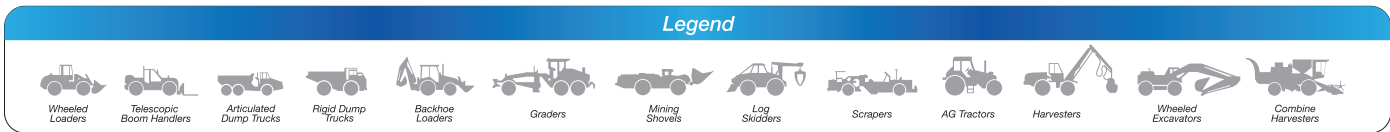
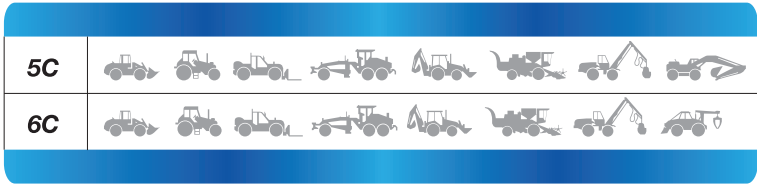


**SPICER WING® SERIES DRIVESHAFT - DUST CAP STYLE**



SPICER WING SERIES BASE NUMBER	Slip [mm]	Slip [in]	"T" Dim (in) [T1+T2]	Wing In A Box Relube	Wing In A Box Service Free	Service U-Joint Kit	UJ Kit RL or SF	Bolts (Included in UJ Kit)	Bolt Size	UJ Zerk PN	UJ Zerk Type / (Thread)
<b>5C SERIES</b>											
605360084	60	2.362	12.106	Sold Separately	Sold Separately	5-5211XM	SF	815160008	M10 X 45MM	NA	NA
608790000	60	2.362	12.106	600001001 (OEM)	600001045	5-5111X	RL	815300007	.375-24 x 1.75	052702703	Straight / M6 X 1
608790072	60	2.362	12.106	600001001	600001045 (OEM)	5-5211X	SF	815300007	.375-24 x 1.75	NA	NA
608790037	60	2.362	12.106	600001001	600001045 (OEM)	5-5211X	SF	815300007	.375-24 x 1.75	NA	NA
608790033	60	2.362	12.106	Sold Separately	Sold Separately	5-5111X	RL	815300007	.375-24 x 1.75	052702703	Straight / M6 X 1
<b>6C SERIES</b>											
602380098	60	2.362	12.106	Sold Separately	Sold Separately	5-6111X	RL	815300007	.375-24 x 1.75	052702703	Straight / M6 X 1
608760000	60	2.362	12.106	600001002 (OEM)	600001046	5-6111X	RL	815300007	.375-24 x 1.75	052702703	Straight / M6 X 1
602380137	60	2.362	12.106	600001002 (OEM)	600001046	5-6111X*	RL	815300007	.375-24 x 1.75	052802703*	45° / M6 X 1

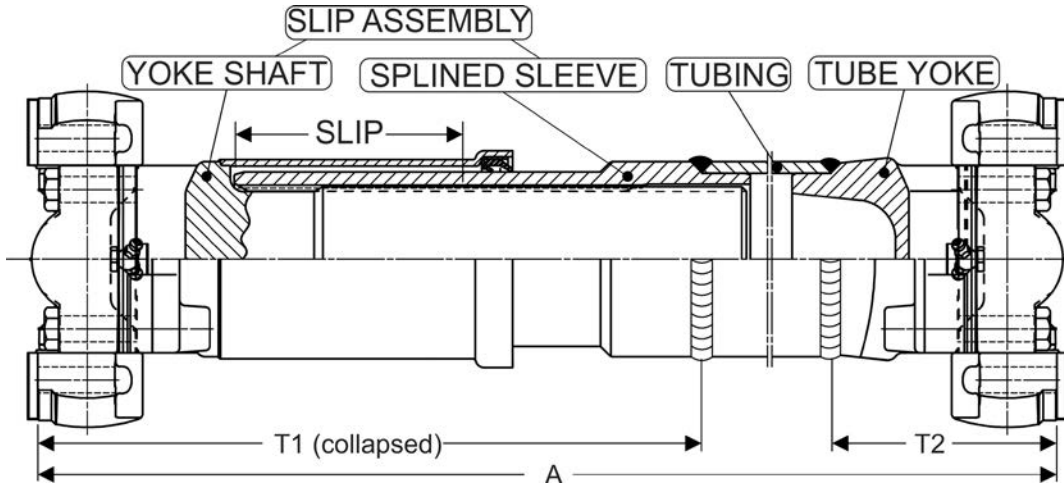
**Abbreviations:**  
 UJ: U-Joint  
 SF: Service Free  
 RL: Relubable  
 UJ: U-joint Kit  
 NSS: Not Sold Separately  
 PN: Part Number  
 Assy: Assembly



	Slip Assy (includes Dust Cap, Seal and Relief Valve)	Slip Assy RL or SF	Slip Yoke ASM (Seal and Dust Cap Not Included)	Tube shaft	Tube yoke	Tube (1900MM Long)	Tube size (in) (OD x Wall)	Relief valve	Dust cap	Seal
<b>5C SERIES</b>										
	Sold Separately	SF Metric	641020027	630370006	641040007	820580040-1900M	2.283 x .157	816240002	816630000	813970000
	640720003	SF	NSS	NSS	641040000	820580040-1900M	2.283 x .157	816240002	816630000	813970000
	640720003	SF	NSS	NSS	641040000	820580040-1900M	2.283 x .157	816240002	816630000	813970000
	640720003	SF	NSS	NSS	641040000	820580040-1900M	2.283 x .157	816240002	816630000	813970000
	Sold Separately	RL	641020030	630370006	641040000	820580040-1900M	2.283 x .157	816100004	816610025	813970000
<b>6C SERIES</b>										
	610630003	RL	NSS	NSS	634950003	820700040-1900M	2.756 x .157	816100004	816610025	813970000
	640730003	SF	NSS	NSS	634950003	820700040-1900M	2.756 x .157	816240002	816630000	813970000
	640730003	SF	NSS	NSS	634950003	820700040-1900M	2.756 x .157	816240002	816630000	813970000

\*For Base Number 602380137 the OEM uses 45° zerks, PN 052802703, which can be purchased separately for replacing the zerks used in 5-6111X

**SPICER WING® SERIES DRIVESHAFT - COVER TUBE STYLE**



SPICER WING SERIES BASE NUMBER	Slip [mm]	Slip [in]	"T" Dim (in) [T1+T2]	Wing In A Box Relube	Wing In A Box Service Free	Service U-Joint Kit	UJ Kit RL or SF	Bolts (Included in UJ Kit)
<b>6C SERIES</b>								
612632000	120	4.724	13.858	Sold Separately	Sold Separately	5-6111X	RL	815300007
612632072	120	4.724	13.858	Sold Separately	Sold Separately	5-6211X	SF	815300007
612632062	120	4.724	13.858	Sold Separately	Sold Separately	5-6111X	RL	815300007
<b>7C SERIES</b>								
612370310	125	4.921	15.803	Sold Separately	Sold Separately	5-7111X	RL	815300014
612370122	130	5.118	14.878	600001003	600001038(OEM)	5-7211X	SF	815300014
612370000	130	5.118	14.878	600001003 (OEM)	600001038	5-7111X	RL	815300014
612370268	130	5.118	14.878	Sold Separately	Sold Separately	5-7111X	RL	815300014
<b>8.5C SERIES</b>								
612290206	125	4.921	18.024	Sold Separately	Sold Separately	5-85111X	RL	815300015
612290054	130	5.118	17.976	600001004	600001048(OEM)	5-85211X	SF	815300015
612290000	130	5.118	17.976	600001004(OEM)	600001048	5-85111X	RL	815300015
612290124	130	5.118	17.976	600001004	600001048(OEM)	5-85211X	SF	815300015
612290284	130	5.118	17.976	600001004(OEM)	600001048	5-85111X	RL	815300015
612290314	130	5.118	17.976	Sold Separately	Sold Separately	5-85211X	SF	815300015
612290224	130	5.118	17.976	Sold Separately	Sold Separately	5-85211XM	SF	815170013
<b>9C SERIES</b>								
612540039	150	5.906	18.957	600001005	600000999(OEM)	5-9211X	SF	815300015
<b>10C SERIES</b>								
609050034	150	5.906	23.858	600001006	600001049(OEM)	5-10211X	SF	815300017
609050048	150	5.906	23.858	600001006	600001049(OEM)*	5-10111X*	RL	815300017
609050051	150	5.906	23.858	Sold Separately	Sold Separately	5-10111X*	RL	815300017
<b>12C SERIES</b>								
612825001	135	5.315	23.031	Sold Separately	Sold Separately	5-12111X*	RL	815180001

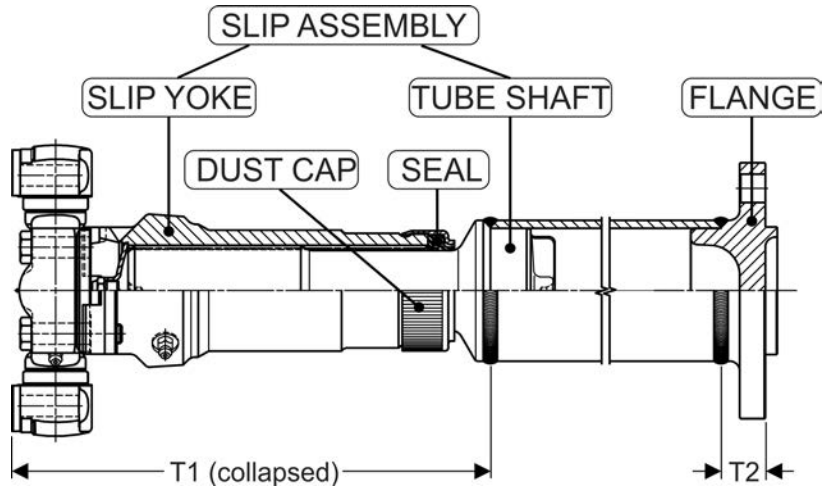
Series	Application
6C	
7C	
8.5C	
9C	
10C	
12C	

Abbreviations:	
UJ:	U-Joint
SF:	Service Free
RL:	Relubable
UJ:	U-joint Kit
NSS:	Not Sold Separately
PN:	Part Number
Assy:	Assembly

Legend												
Wheeled Loaders	Telescopic Boom Handlers	Articulated Dump Trucks	Rigid Dump Trucks	Backhoe Loaders	Graders	Mining Shovels	Log Skidders	Scrapers	AG Tractors	Harvesters	Wheeled Excavators	Combine Harvesters

Bolt Size	Zerk PN	Zerk Type / Thread	Slip Assy (includes Dust Cap, Seal and Relief Valve)	Slip Assy RL or SF	Tube yoke	Tube	Tube size (in) (OD x Wall)	Seal
<b>6C SERIES</b>								
.375-24 x 1.75	052702703	Straight / M6 X 1	640730006	SF	634950003	820700040-1900M	2.756 x .157	811130001
.375-24 x 1.75	NA	NA	640730006	SF	634950003	820700040-1900M	2.756 x .157	811130001
.375-24 x 1.75	052702703	Straight / M6 X 1	640730007	RL	634950003	820700040-1900M	2.756 x .157	811130001
<b>7C SERIES</b>								
.500-20 x 2.00	052703703	Straight / M8 X 1	640740011	RL	631730019	065550102-1900M	3.543 x .197	067750006
.500-20 x 2.00	NA	NA	640740006	SF	631730019	820880040-1900M	3.465 x .157	067750006
.500-20 x 2.00	052703703	Straight / M8 X 1	640740006	SF	631730019	820880040-1900M	3.465 x .157	067750006
.500-20 x 2.00	052703703	Straight / M8 X 1	640740010	RL	631730019	065550102-1900M	3.543 x .197	067750006
<b>8.5C SERIES</b>								
.500-20 x 2.50	052261703	DBL 23° / M10 X 1	640760007	SF	640650035	065550102-1900M	3.543 x .197	067750006
.500-20 x 2.50	NA	NA	640760004	SF	640650004	065580102-1900M	3.937 x .236	067763006
.500-20 x 2.50	052261703	DBL 23° / M10 X 1	640760004	SF	640650004	065580102-1900M	3.937 x .236	067763006
.500-20 x 2.50	NA	NA	640760004	SF	640650004	065580102-1900M	3.937 x .236	067763006
.500-20 x 2.50	052261703	DBL 23° / M10 X 1	640760004	SF	640650004	065580102-1900M	3.937 x .236	067763006
.500-20 x 2.50	NA	NA	640760008	RL	640650004	065580102-1900M	3.937 x .236	067750006
M12 X 60MM	NA	NA	640760006	SF Metric	640650015	065580102-1900M	3.937 x .236	067763006
<b>9C SERIES</b>								
.500-20 x 2.50	NA	NA	640770002	SF	637290000	821150075-1900M	4.526 x .295	067767006
<b>10C SERIES</b>								
.625-18 x 3.00	NA	NA	642340006	SF	641710002	821440070-1900M	5.669 x .276	067767006
.625-18 x 3.00	052819703*	45° / M10 X1	642340006	SF	641710002	821440070-1900M	5.669 x .276	802209213
*For Base Number 609050048 the OEM uses 45° zerk, PN 052819703, which can be purchased separately for replacing the zerk used in 5-10111X								
.625-18 x 3.00	052819703* 052242703	45° / M10 X 1 Ext Straight / M10 X 1	642340006	SF	641710002	821440070-1900M	5.669 x .276	802209213
*For Base Number 609050051 the OEM uses 45° Zerk, PN 052819703 and Extended srt Zerk, PN 052242703, which can be purchased separately for replacing the zerk in 5-10111X								
<b>12C SERIES</b>								
M14 X 1.5	816300008*	90° / M10	612825005	SF	645369001	831600010-1900M#	6.299 x .394	813980000
*For Base Number 612825001 the OEM uses a 90° Zerk PN 816300008, which can be purchased separately for replacing the zerk in 5-12111X #Tube ID should be turned to 5.551" at a depth of .984" then radiused on inside each end before installing the tube fittings into the tube.								

**SPICER WING® SERIES DRIVESHAFT - FLANGED**



SPICER WING SERIES BASE NUMBER	Slip (mm)	Slip (in)	"T" Dim (in) [T1+T2]	Service U-Joint Kit	UJ Kit RL or SF	Bolts (Included in UJ Kit)	Bolt Size	Zerk PN	
<b>6C SERIES</b>									
610520105	60	2.362	10.020	5-6111X	RL	815300007	.375-24 x 1.75	052702703	
610520105 SF	60	2.362	10.020	5-6111X	RL	815300007	.375-24 x 1.75	052702703	

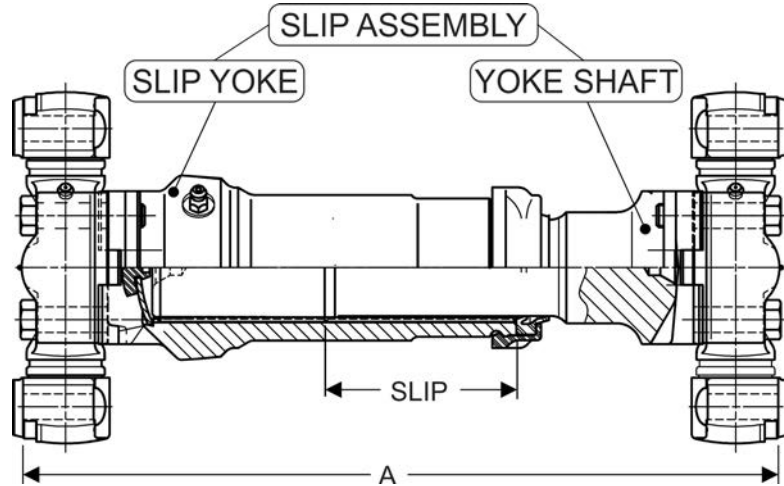
**Abbreviations:**  
 UJ: U-Joint  
 SF: Service Free  
 RL: Relubable  
 UJ: U-joint Kit  
 NSS: Not Sold Separately  
 PN: Part Number  
 Assy: Assembly



	Zerk Type / Thread	Slip Assy (includes Dust Cap, Seal and Relief Valve)	Slip Assy RL or SF	Tube Flange	Tube	Tube size (in) (OD x Wall)	Relief valve	Dust cap	Seal
<b>6C SERIES</b>									
	Straight / M6 X 1	610630003	RL	645357002	820700040-1900M	2.756 x .157	816100004	816610025	813970000
	Straight / M6 X 1	640730003*	SF	645357002	820700040-1900M	2.756 x .157	816100004	816610025	813970000

\*SF SJ Version of 610520105

**SPICER WING® SERIES DRIVESHAFT - SHORT COUPLE - STYLE 1**



SPICER WING SERIES BASE NUMBER	Slip (mm)	Slip (in)	"A" Dim Collapsed (in)	Service U-Joint Kit	UJ Kit RL or SF	Bolt	Bolt Size
<b>7C SERIES</b>							
611290082	30	1.181	8.858	5-7211X	SF	815300014	.500-20 x 2.00
611290080	45	1.772	10.197	5-7211X	SF	815300014	.500-20 x 2.00
607550000	45	1.772	10.197	5-7111X	RL	815300014	.500-20 x 2.00
606910001	75	2.953	11.024	5-7211X	SF	815300014	.500-20 x 2.00
607560000	75	2.953	11.024	5-7111X	RL	815300014	.500-20 x 2.00
607630000	75	2.953	12.205	5-7111X	RL	815300014	.500-20 x 2.00
<b>8.5C SERIES</b>							
612500146	40	1.574	10.827	5-85211X	SF	815300015	.500-20 x 2.50
612500090	53	2.087	11.417	5-85211X	SF	815300015	.500-20 x 2.50
609750001	65	2.559	12.205	5-85211X	SF	815300015	.500-20 x 2.50
612500024	65	2.559	12.205	5-85111X	RL	815300015	.500-20 x 2.50
612500183	75	2.953	13.386	5-85211X	SF	815300015	.500-20 x 2.50
612500026	75	2.953	13.386	5-85111X	RL	815300015	.500-20 x 2.50
612500096	85	3.346	14.488	5-85211X	SF	815300015	.500-20 x 2.50
612500028	85	3.346	14.488	5-85111X	RL	815300015	.500-20 x 2.50
612500301	85	3.346	15.079	5-85211X	SF	815300015	.500-20 x 2.50
612500093	85	3.346	16.929	5-85211X	SF	815300015	.500-20 x 2.50
<b>9C SERIES</b>							
612530078	65	2.559	13.386	5-9111X	RL	815300015	.500-20 x 2.50
608090000	72	2.835	13.661	5-9111X	RL	815300015	.500-20 x 2.50
612530035	72	2.835	14.843	5-9211X	SF	815300015	.500-20 x 2.50
612530070	95	3.740	17.126	5-9211X	SF	815300015	.500-20 x 2.50
612530135	95	3.740	17.126	5-9111X*	RL	815300015	.500-20 x 2.50
<b>10C SERIES</b>							
610810004	95	3.740	17.323	5-10111X	RL	815300017	.625-18 x 3.00
610810044	100	3.937	18.622	5-10211XM	SF	815190003	M16 X 80MM



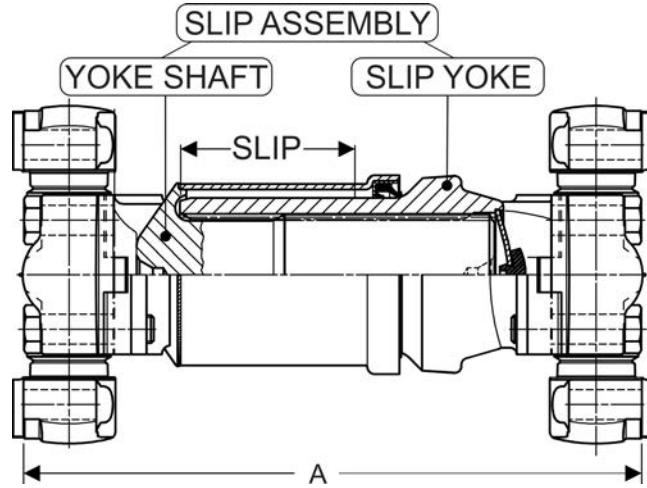
Series	Application
<b>7C</b>	
<b>8.5C</b>	
<b>9C</b>	
<b>10C</b>	

**Abbreviations:**  
 UJ: U-Joint  
 SF: Service Free  
 RL: Relubable  
 UJ: U-joint Kit  
 NSS: Not Sold Separately  
 PN: Part Number  
 Assy: Assembly

Legend													
Wheeled Loaders	Telescopic Boom Handlers	Articulated Dump Trucks	Rigid Dump Trucks	Backhoe Loaders	Graders	Mining Shovels	Log Skidders	Scrapers	AG Tractors	Harvesters	Wheeled Excavators	Combine Harvesters	

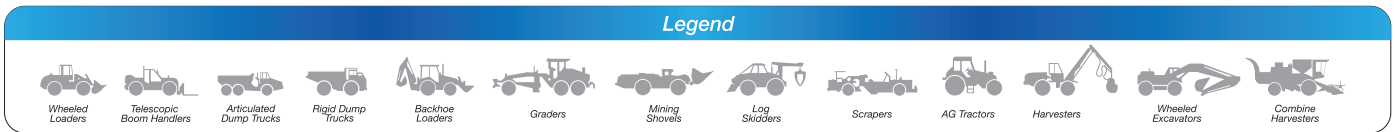
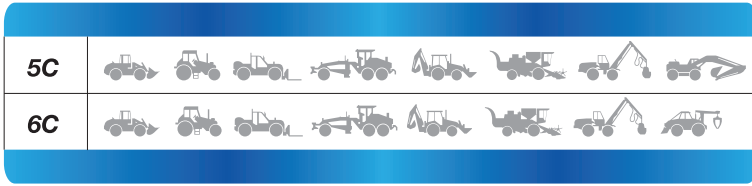
	Zerk PN	Zerk Type / Thread	Slip Assy (includes Seal and Relief Valve)	Slip Assy RL or SF	Relief valve	Seal
<b>7C SERIES</b>						
	NA	NA	635390053	SF	816240002	067750006
	NA	NA	635390049	SF	816240002	067750006
	052703703	Straight / M8 X 1	635390049	SF	816240002	067750006
	NA	NA	635390050	SF	816240002	067750006
	052703703	Straight / M8 X 1	635390050	SF	816240002	067750006
	052703703	Straight / M8 X 1	635390048	SF	816240002	067750006
<b>8.5C SERIES</b>						
	NA	NA	698110030	SF	816240002	067750006
	NA	NA	698110029	SF	816240002	067750006
	NA	NA	698110000	SF	816240002	067763006
	052261703	DBL 23° / M10 X 1	698110000	SF	816240002	067763006
	NA	NA	698110002	SF	816240002	067763006
	052261703	DBL 23° / M10 X 1	698110002	SF	816240002	067763006
	NA	NA	698110009	SF	816240002	067763006
	052261703	DBL 23° / M10 X 1	698110009	SF	816240002	067763006
	NA	NA	698084000	SF	816240002	067763006
	NA	NA	698110008	SF	816240002	067763006
<b>9C SERIES</b>						
	052703703	Straight / M8 X 1	699600034	SF	816240002	067767006
	052703703	Straight / M8 X 1	699600022	SF	816240002	067767006
	NA	NA	699600035	SF	816240002	067767006
	NA	NA	699600024	SF	816240002	067767006
	052133703* 052703703	45° / M8 X 1M Straight / M8 X 1	637450008	SF	816240002	802209213
<b>10C SERIES</b>						
	052728703	Straight / M10 X 1	698870004	SF	816240002	067767006
	NA	NA	697947000	SF	816240002	067767006

**SPICER WING® SERIES DRIVESHAFT - SHORT COUPLE - STYLE 2**



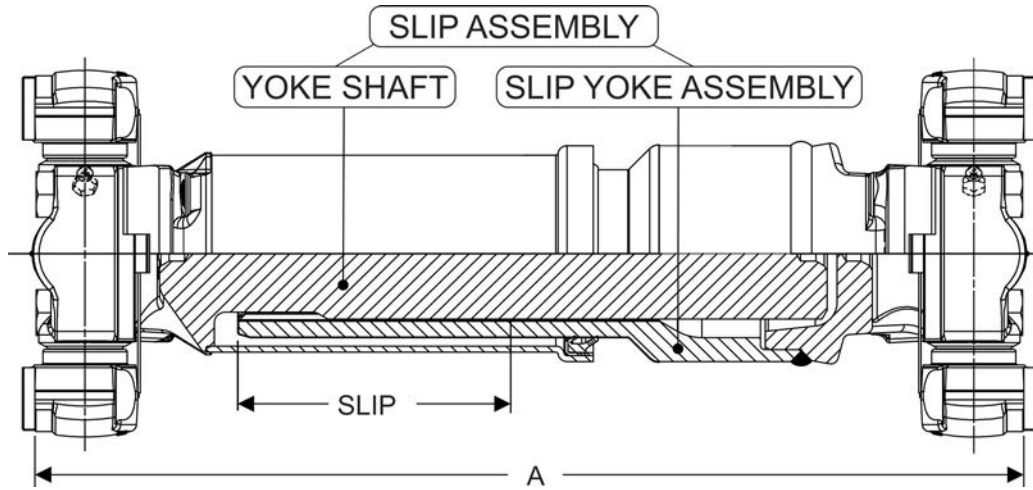
BASE NUMBER	Slip [mm]	Slip [in]	"A" Dim Collapsed (in)	Service U-Joint Kit	UJ Kit RL/SF	Bolt	Bolt Size
<b>5C SERIES</b>							
607860035	45	1.772	10.669	5-5211XM	SF	815160008	M10 X 45MM
607450003	72	2.835	13.386	5-5111X	RL	815300007	.375-24 x 1.750
<b>6C SERIES</b>							
602380135	30	1.181	8.464	5-6111X	RL	815300007	.375-24 x 1.750
602380163	75	2.953	11.023	5-6111X	RL	815300007	.375-24 x 1.750
607510005	75	2.953	12.205	5-6111X	RL	815300007	.375-24 x 1.750

**Abbreviations:**  
 UJ: U-Joint  
 SF: Service Free  
 RL: Relubable  
 UJ: U-joint Kit  
 NSS: Not Sold Separately  
 PN: Part Number  
 Assy: Assembly



Zerk PN	Zerk Type / Thread	Slip Assy (includes Dust Cap, Seal and Relief Valve)	Slip Assy RL/SF	Relief valve	Dust cap	Seal
<b>5C SERIES</b>						
NA	NA	697747000	SF	816240002	816630000	813970000
052702703	Straight / M6 X 1	697794000	RL	816100004	816610025	813970000
<b>6C SERIES</b>						
052702703	Straight / M6 X 1	699720002	SF	NA	816630000	813970000
052702703	Straight / M6 X 1	698510000	RL	816100004	816610025	813970000
052702703	Straight / M6 X 1	635320044	RL	816240002	816630000	813970000

**SPICER WING® SERIES DRIVESHAFT - SHORT COUPLE - STYLE 3**



SPICER WING SERIES BASE NUMBER	Slip (mm)	Slip (in)	"A" Dim Collapsed (in)	Service U-Joint Kit	UJ Kit RL or SF	Bolt	Bolt Size
<b>7C</b>							
602880203	130	5.118	15.984	5-7211X	SF	815300014	.500-20 x 2.00
<b>8.5C</b>							
612500079	130	5.118	17.756	5-85211X	SF	815300015	.500-20 x 2.50
<b>9C</b>							
612530134	130	5.118	19.567	5-9111X*	RL	815300015	.500-20 x 2.50
612530133	130	5.118	19.566	5-9111X*	RL	815300015	.500-20 x 2.50
<b>10C</b>							
610810070	100	3.937	21.653	5-10111X*	RL	815300017	.625-18 x 3.00

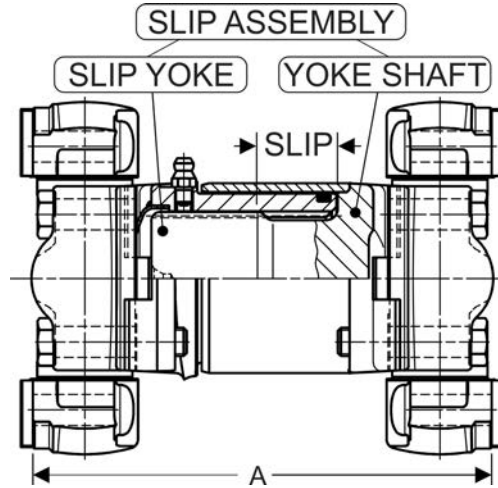
Series	Application
<b>7C</b>	
<b>8.5C</b>	
<b>9C</b>	
<b>10C</b>	

Abbreviations:	
UJ:	U-Joint
SF:	Service Free
RL:	Reliable
UJ:	U-joint Kit
NSS:	Not Sold Separately
PN:	Part Number
Assy:	Assembly

Legend												
Wheeled Loaders	Telescopic Boom Handlers	Articulated Dump Trucks	Rigid Dump Trucks	Backhoe Loaders	Graders	Mining Shovels	Log Skidders	Scrapers	AG Tractors	Harvesters	Wheeled Excavators	Combine Harvesters

	Zerk PN	Zerk Type / Thread	Slip Assy (includes Seal)	Slip Assy RL or SF	Relief valve	Dust cap	Seal
<b>7C</b>	NA	NA	698024000	SF	NA	NA	067750006
<b>8.5C</b>	NA	NA	698110001	SF	NA	NA	067763006
<b>9C</b>	052133703*	45° / M8 X 1	698097000	SF	NA	NA	802209213
*For Base Number 612530134 the OEM uses 45° zerks, PN 052133703, which can be purchased separately for replacing the zerks used in 5-9111X							
	052703703 052133703*	Straight / M8 X 1 45° / M8 X 1	698097000	SF	NA	NA	802209213
*For Base Number 612530133 the OEM uses 45° zerks in one UJ kit, PN 052133703, which can be purchased separately for replacing the zerks used in 5-9111X							
<b>10C</b>	052819703*	45° / M10 X 1	697780000	SF	NA	NA	802209213
*For Base Number 610810070 the OEM uses 45° zerks, PN 052819703, which can be purchased separately for replacing the zerks used in 5-10111X							

**SPICER WING® SERIES DRIVESHAFT - SHORT COUPLE - STYLE 4**



SPICER WING SERIES BASE NUMBER	Slip (mm)	Slip (in)	"A" Dim Collapsed (in)	Service U-Joint Kit	UJ Kit RL or SF	Bolt	Bolt Size
<b>5C</b>							
611380005	20	0.787	6.102	5-5211X	SF	815300007	.375-24 x 1.75
<b>6C</b>							
602380067	21	0.827	6.496	5-6111X	RL	815300007	.375-24 x 1.75
<b>8.5C</b>							
612500217	60	2.362	11.141	5-85211X	SF	815300015	.500-20 x 2.50

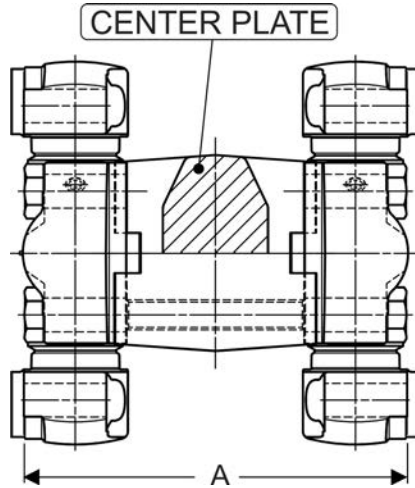
**Abbreviations:**  
 UJ: U-Joint  
 SF: Service Free  
 RL: Reluable  
 UJ: U-joint Kit  
 NSS: Not Sold Separately  
 PN: Part Number  
 Assy: Assembly

Series	Application
<b>5C</b>	
<b>6C</b>	
<b>8.5C</b>	

Legend												
Wheeled Loaders	Telescopic Boom Handlers	Articulated Dump Trucks	Rigid Dump Trucks	Backhoe Loaders	Graders	Mining Shovels	Log Skidders	Scrapers	AG Tractors	Harvesters	Wheeled Excavators	Combine Harvesters

	Zerk PN	Zerk Type / Thread	Slip Assy (includes Seal)	Slip Assy RL or SF	Relief valve	Dust cap	Seal
<b>5C</b>	NA	NA	697481000	RL	NA	NA	813860008
<b>6C</b>	052702703	Straight / M6 X 1	698880000	SF	NA	NA	813860008
<b>8.5C</b>	NA	NA	698110014	RL	NA	NA	813860016

**SPICER WING® SERIES DOUBLE JOINT - PLATE STYLE**



SPICER WING SERIES BASE NUMBER	"A" Dim (in)	Service U-Joint Kit	UJ Kit RL or SF	Bolt	Bolt Size	Zerk PN	
<b>7C</b>							
605110080	5.827	5-7211X	SF	815300014	.500-20 x 2.00	NA	
605110098	5.075	5-7211XM55	SF	815170012*	M12X55	NA	
600770004	5.000	5-7211XM50	SF	814630000*	M12X50	NA	
605110101	4.287	5-7211XM105	SF	815170016*	M12 X 105MM	NA	
605110067	6.023	5-7111X*	RL	815300014	.500-20 x 2.00	815060005*	
<b>8.5C</b>							
606570045	6.654	5-85211XM	SF	815170013*	M12X65	NA	
606570046	8.287	5-85211XM	SF	815170013*	M12X65	NA	



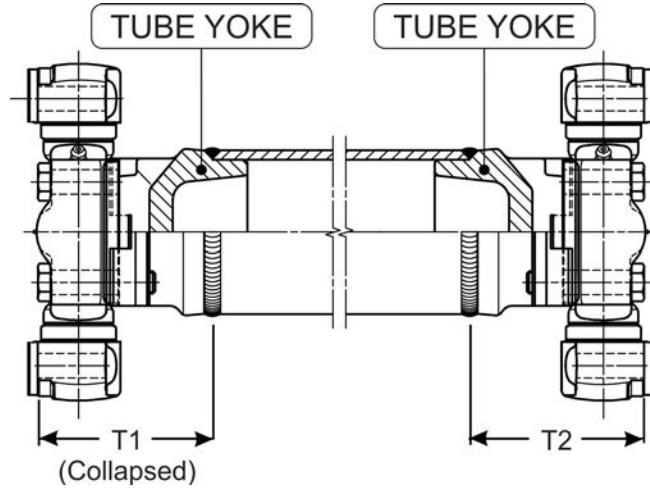
**Abbreviations:**  
 UJ: U-Joint  
 SF: Service Free  
 RL: Relubable  
 UJ: U-joint Kit  
 NSS: Not Sold Separately  
 PN: Part Number  
 Assy: Assembly

Series	Application
<b>7C</b>	
<b>8.5C</b>	

Legend												
Wheeled Loaders	Telescopic Boom Handlers	Articulated Dump Trucks	Rigid Dump Trucks	Backhoe Loaders	Graders	Mining Shovels	Log Skidders	Scrapers	AG Tractors	Harvesters	Wheeled Excavators	Combine Harvesters

	Zerk Type / Thread	Center Plate	Nut	Nut Size	*Note
<b>7C</b>					
	NA	645367003	NA		
	NA	632250020	NA		*Metric Threads
	NA	632250011	NA		*Metric Threads
	NA	632250022	815650001*	M12	*Metric Through Bolt + Nut
	Plug / M6 X 1	645367001	NA		*OEM Uses Plug Instead of Zerk in UJ
<b>8.5C</b>					
	NA	640790004	NA		*Metric Threads
	NA	640790005	NA		*Metric Threads

**SPICER WING® SERIES DOUBLE JOINT - TUBULAR STYLE**



SPICER WING SERIES BASE NUMBER	"T" Dim (in) [T1+T2]	Service U-Joint Kit	UJ Kit RL or SF	Bolt	Bolt Size	Zerk PN	
<b>5C</b>							
605900034	6.299	5-5211X	SF	815300007	.375-24 x 1.75	NA	
<b>6C</b>							
608330022	5.905	5-6111X	RL	815300007	.375-24 x 1.75	052702703	
<b>7C</b>							
605120014	7.185	5-7111X	RL	815300014	.500-20 x 2.00	052703703	
<b>8.5C</b>							
605270006	9.118	5-85211XM	SF	815170013*	M12X65	NA	
612643000	9.118	5-85111X	RL	815300015	.500-20 x 2.500	052261703	
610350019	9.118	5-85211X	SF	815300015	.500-20 x 2.500	NA	
<b>9C</b>							
612340020	9.748	5-9111X	RL	815300015	.500-20 x 2.500	052703703 052133703	

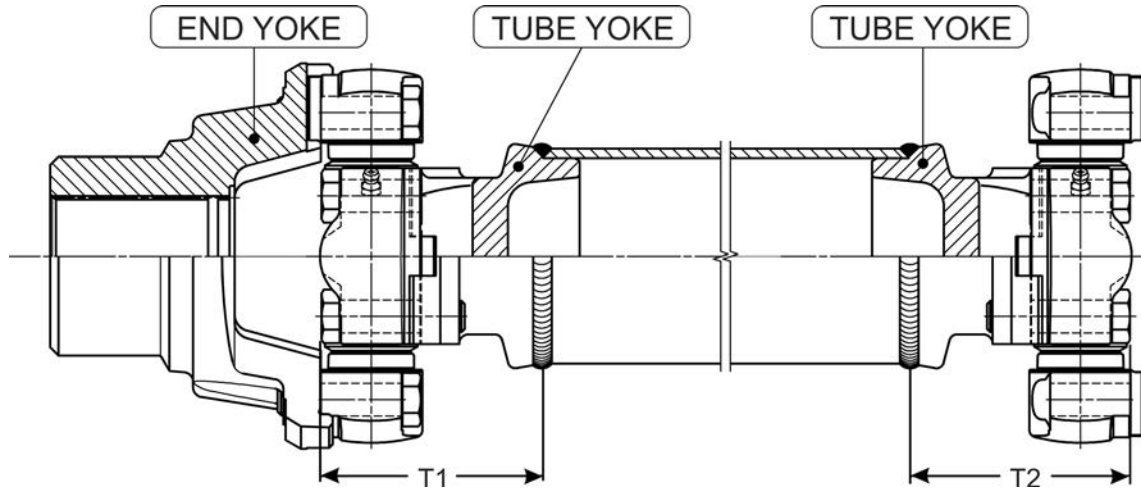
Series	Application
<b>5C</b>	
<b>6C</b>	
<b>7C</b>	
<b>8.5C</b>	
<b>9C</b>	

**Abbreviations:**  
 UJ: U-Joint  
 SF: Service Free  
 RL: Relubable  
 UJ: U-joint Kit  
 NSS: Not Sold Separately  
 PN: Part Number  
 Assy: Assembly

Legend												
Wheeled Loaders	Telescopic Boom Handlers	Articulated Dump Trucks	Rigid Dump Trucks	Backhoe Loaders	Graders	Mining Shovels	Log Skidders	Scrapers	AG Tractors	Harvesters	Wheeled Excavators	Combine Harvesters

	Zerk Type / Thread	Tube	Tube size (in) (OD x Wall)	Tube yoke (2 req'd)	*Note
<b>5C</b>	NA	820580040-1900M	2.283 x .157	641040000	
<b>6C</b>	Straight / M6 X 1	820700040-1900M	2.756 x .157	634950003	
<b>7C</b>	Straight / M8 X 1	820880040-1900M	3.465 x .157	631730019	
<b>8.5C</b>	NA	065580102-1900M	3.937 x .236	640650037	*Metric Threads
	DBL 23* / M10 X 1	065580102-1900M	3.937 x .236	640650004	
	NA	065580102-1900M	3.937 x .236	640650004	
<b>9C</b>	Straight / M8 X 1 45° / M8 X 1M	821150075-1900M	4.527 X .295	637290000	Straight Zerk UJ and 45° Zerk UJ Version

**SPICER WING® SERIES DOUBLE JOINT - WITH END YOKE**



SPICER WING SERIES BASE NUMBER	"T" Dim (in) [T1+T2]	Service U-Joint Kit	UJ Kit RL or SF	Bolts (Included in UJ Kit)	Bolt Size	Zerk PN	Zerk Type / Thread
<b>6C</b>							
608330024	5.905	5-6111X	RL	815300007	.375-24 x 1.75	052702703	Straight / M6 X 1
<b>7C</b>							
605120039	7.181	5-7111X	RL	815300014	.500-20 x 2.00	052703703	Straight / M8 X 1
<b>8.5C</b>							
612643006	9.118	5-85111X	RL	815300015	.500-20 x 2.50	052261703	DBL 23° / M10 X 1

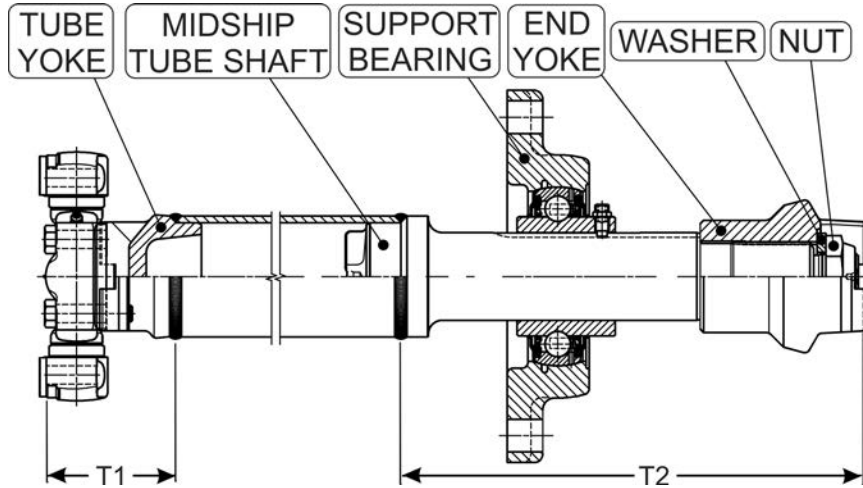
**Abbreviations:**  
 UJ: U-Joint  
 SF: Service Free  
 RL: Relubable  
 UJ: U-joint Kit  
 NSS: Not Sold Separately  
 PN: Part Number  
 Assy: Assembly

Series	Application
<b>6C</b>	
<b>7C</b>	
<b>8.5C</b>	

Legend												
Wheeled Loaders	Telescopic Boom Handlers	Articulated Dump Trucks	Rigid Dump Trucks	Backhoe Loaders	Graders	Mining Shovels	Log Skidders	Scrapers	AG Tractors	Harvesters	Wheeled Excavators	Combine Harvesters

	Tube	Tube size (in) (OD x Wall)	Tube yoke (2 req'd)	End Yoke	Notes*
<b>6C</b>					
	820700040-1900M	2.756 x .157	634950003	640440009	
<b>7C</b>					
	065550102-1900M	3.543 x .197	631730019	641110021	
<b>8.5C</b>					
	065550102-1900M	3.543 x .197	640650035	640040007	

**SPICER WING® SERIES COUPLING SHAFTS**



SPICER WING SERIES BASE NUMBER	"T" Dim (in)	Service U-Joint Kit	UJ Kit RL or SF	Bolt	Bolt Size	Zerk PN	Zerk Type / Thread	Tube yoke
<b>5C</b>								
644120010	7.362	5-5111X	RL	815300007	.375-24 x 1.75	052702703	Straight / M6 X 1	641040000
<b>6C</b>								
611320038	11.968	5-6111X	RL	815300007	.375-24 x 1.75	052702703	Straight / M6 X 1	634950003
611320042	13.543	5-6111X	RL	815300007	.375-24 x 1.75	052702703	Straight / M6 X 1	634950003
<b>7C</b>								
611310101	14.220	5-7111X	RL	815300014	.500-20 x 2.00	052703703	Straight / M8 X 1	631730019
<b>8.5C</b>								
606580004	14.834	5-85111X	RL	815300015	.500-20 x 2.50	052261703	DBL 23* / M10 X 1	640650035
8.5CCS54001	15.550	5-85211X	SF	815170015	.500-20 x 2.50	NA	NA	640650015
<b>10C</b>								
612720005	17.638	5-10211X	SF	815190003*	M16 X 80MM	NA	NA	641710008

Series	Application
<b>5C</b>	
<b>6C</b>	
<b>7C</b>	
<b>8.5C</b>	
<b>10C</b>	

**Abbreviations:**  
 UJ: U-Joint  
 SF: Service Free  
 RL: Reluable  
 UJ: U-joint Kit  
 NSS: Not Sold Separately  
 PN: Part Number  
 Assy: Assembly

Legend												
Wheeled Loaders	Telescopic Boom Handlers	Articulated Dump Trucks	Rigid Dump Trucks	Backhoe Loaders	Graders	Mining Shovels	Log Skidders	Scrapers	AG Tractors	Harvesters	Wheeled Excavators	Combine Harvesters

	Midship tube shaft	Tube	Tube size (in) (OD x Wall)	End yoke	Washer	Nut	Coupling Shaft End Yoke Bolt	Support bearing	*Note
<b>5C</b>									
	641380004	820580040-1900M	2.283 x .157	641390004	815970015	815700001	NA	NONE	
<b>6C</b>									
	640460011	820700040-1900M	2.756 x .157	NA	NA	NA	NA	NONE	
	640460002	820700040-1900M	2.756 x .157	640440000	815970015	815570036	NA	612824000	
<b>7C</b>									
	645362001	065550102-1900M	3.543 x .197	640480013	815970014	2004081	NA	612824000	
<b>8.5C</b>									
	640420015	065550102-1900M	3.543 x .197	640400001	815970014	815570037	NA	5008363	
	5-53-421	065580102-1900M	3.937 x .236	8.5C-4-141M	233043	NA	232375	233042	
<b>10C</b>									
	645348000	821440070-1900M	5.669 x .276	642020013	815970005	815570032	NA	640860001	*Metric Bolts

# Spicer Wing® Series U-Joint Kits

## Product Information and Cross Reference

Spicer Part #	Series	U-Joint Style	Bearing Block Style	Bolt # Included (Qty.)	Thread	SVL
5-2031X	2C	Relube	ISR/DWT	5-73-211 (4)	5/16"-24	
5-3144X	3C	Relube	LWT/LWT	5-73-211 (8)	5/16"-24	
5-4111X	4C	Relube	HWD/HWD	815300001 (8)	5/16"-24	15-4111X
5-4112X	4C	Relube	HWT/HWD	230071 (4) 230075 (4)	5/16"-24	
5-4144X	4C	Relube	LWT/LWT	815030000 (8)	5/16"-24	
5-4211X	4C	Svc. Free	HWD/HWD	815300001 (8)	5/16"-24	
5-345X	4C/1410	Relube	HWD/OSR	230071 (4)	5/16"-24	
5-328X	58WB/1550	Relube	HWD/OSR	7-73-528 (4)	7/16"-20	
5-5015X	5C	Relube	ISR/LWD	230996 (4)	3/8"-24	
5-5111X	5C	Relube	HWD/HWD	815300007 (8)	3/8"-24	15-5111X
5-5211X	5C	Svc. Free	HWD/HWD	815300007 (8)	3/8"-24	
5C-3X	5C/1480	Relube	HWD/OSR	6-73-427 (4)	3/8"-24	
5C-5X	5C/1480	Relube	HWT/OSR	6-73-527 (4)	3/8"-24	
5-6111X	6C	Relube	HWD/HWD	815300007 (8)	3/8"-24	15-6111X
5-6211X	6C	Svc. Free	HWD/HWD	815300007 (8)	3/8"-24	
6C-3X	6C/1550	Relube	HWD/OSR	6-73-427 (4)	3/8"-24	
6C-5X	6C/1550	Relube	HWT/OSR	6-73-527 (4)	3/8"-24	
5-7111X	7C	Relube	HWD/HWD	815300014 (8)	1/2"-20	15-7111X
5-7115X	7C	Relube	HWD/DWT	815300014 (4) 500667-10 (4)	1/2"-20 7/16"-20	
5-7211X	7C	Svc. Free	HWD/HWD	815300014 (8)	1/2"-20	
5-330X	7C/1650	Relube	HWD/OSR	8-73-540 (8)	1/2"-20	
5-85111X	8.5C	Relube	HWD/HWD	815300015 (8)	1/2"-20	15-85111X
5-8111X	8C	Relube	HWD/HWD	815300014 (8)	1/2"-20	15-8111X
5-8211X	8C	Svc. Free	HWD/HWD	815300014 (8)	1/2"-20	



# Spicer Wing® Series U-Joint Kits

## Product Information and Cross Reference

	Certified	GKN / Mechanics	GMB	Meritor	Neapco	New Star	Precision
		114-02100	210-2031, G5-2031X		1-2134		508, 961
	W3152	03065795, 114-03152	230-3000, G5-3000X	CP3000	3-3152		530, 536
	W4143	03065864, 03065863, 114-04143A	230-4143, G5-4143X	CP4143X	3-4143	S-7618	969
		03065856, 114-04140	230-4110, G5-4143X		3-4140	S-11832	929
	W4138	03065853, 114-04138	230-4002, G5-4002X	CP4002	3-4138	S6110	921
		3076051					
	R345						548
							484
							557
	W5177	03065916, 03065903, 114-05146	230-5177, G5-5177X	CP5177	4-5177	S-6113	968
		03065964, 03074476, 114-05262			4-5262		
	R347						
	W6128	03065980, 03065979, 114-06128	230-6106, 2306106, G5-6106X, G56106X	CP62N-HWD	4-6128	S-6107	905
		03071301, 03075937, 114-06301A		CP62N-HWD-PL	4-6937		
	R221						
	W7126	030666076, 03066075, 114-07126	230-7105, 2307105, G5-7105X, G57105X	CP72N-HWD	5-7126	S-6118	927
		03066087, 114-07207	230-7202, 2307202, 231-7202, 2317202, G5-7202X, G5-7202XD, G57202X, G57202XD	CP72N-HB	5-7207	S-6116	574, 774, 906
		03066149, 03075956, 114-7326A		CP72N-HWD-PL	5-7956		
	W8516	03075821, 03075958		CP85WB-HWD	6-8516		963
	W8113	03066180, 03066161, 114-08113	230-8105, 2308105, G5-8105X, G58105X	CP82N-HWD	6-8113	S-6126	928
		03066187, 03075957, 114-08248A		CP82N-HWD-PL	6-8957		

# Spicer Wing® Series U-Joint Kits

## Product Information and Cross Reference

Spicer Part #	Series	U-Joint Style	Bearing Block Style	Bolt # Included (Qty.)	Thread	SVL
5-85115X	8.5C	Relube	HWD/DWT	815300015 (4) 815300018 (4)	1/2"-20 1/2"-20	
5-85133X	8.5C	Relube	LWD/LWD	815040029 (8)	1/2"-20	
5-85211X	8.5C	Svc. Free	HWD/HWD	815300015 (8)	1/2"-20	
5-9111X	9C	Relube	HWD/HWD	815300015 (8)	1/2"-20	15-9111X
5-9112X	9C	Relube	HWD/HWT	8-73-640 (4) 8-73-340 (4)	1/2"-20	
5-9122X	9C	Relube	HWT/HWT	8-73-640 (8)	1/2"-20	
5-9211X	9C	Svc. Free	HWD/HWD	815300015 (8)	1/2"-20	
5-326X	9C/1880	Relube	HWD/BP	8-73-340 (4) 7-73-315 (4)	1/2"-20 7/16"-20	
5-327X	9C/1880	Relube	HWT/BP	8-73-640 (4) 7-73-315 (4)	1/2"-20 7/16"-20	
5-642X	9C/1880	Relube	HWD/BP	8-73-3348 (4) 7-73-315 (4)	1/2"-20 7/16"-20	
5-10111X	10C	Relube	HWD/HWD	815300017 (8)	5/8"-18	
5-10211X	10C	Svc. Free	HWD/HWD	815300017 (8)	5/8"-18	
5-11111X	11C	Relube	HWD/HWD	815300004 (8)	3/4"-16	
5-11211X	11C	Svc. Free	HWD/HWD	815300004 (8)	3/4"-16	
5-12111X	12C	Relube	HWD/HWD	815180001 (8)	M14-1.5	
5-12211X	12C	Svc. Free	HWD/HWD	815180001 (8)	M14-1.5	
5-125111X	12.5C	Relube	HWD/HWD	815200002 (8)	M18-1.5	
5-14111X	14C	Relube	HWD/HWD	814930001 (8)	M18-1.5	
5-14211X	14C	Svc. Free	HWD/HWD	814930001 (8)	M18-1.5	
5-145111X	14.5C	Relube	HWD/HWD	815220004 (8)	M22-1.5	
5-145211X	14.5C	Svc. Free	HWD/HWD	815220004 (8)	M22-1.5	
5-15111X	15C	Relube	HWD/HWD	815300007 (8)	3/4"-16	
5-15211X	15C	Svc. Free	HWD/HWD	815300007 (8)	3/4"-16	

# Spicer Wing® Series U-Joint Kits

## Product Information and Cross Reference



	Certified	GKN / Mechanics	GMB	Meritor	Neapco	New Star	Precision
				CP85WB-HB			
	W8575						
		03075885, 03076258		CP85WB-HWD-PL			
	W9016	03075319, 03075999, 114-09121A	230-9001, 230-9015, 2309001, 2309015, G5-9001X, G5-9015X, G59001X, G59015X	CP92N-HWD	6-9016	S-6117	911
					6-9017		792
		03076003, 114-09014			6-9014		793
		03075061, 03075871, 114-09121A		CP92N-HWD-PL			
					6-0326	S-7889	488
		03078325, 03078970			6-1005		485
		03076390, 03078776					
		03076835, 03078490					
		03076971, 03078491			6-1191		
		3076946					
		3076946					
		03073381, 03073380, 114-15000					
		3076102, 03076938					

# OEM to Spicer Interchange

OEM Part Number	Spicer Wing Series Base Part Number	OEM Part Number	Spicer Wing Series Base Part Number	OEM Part Number	Spicer Wing Series Base Part Number	OEM Part Number	Spicer Wing Series Base Part Number
004430076	612290000	12593350	612540039	15315284	612290054	200-7736	606910001
0404986	612370122	126000B-5034551	607630000	15317762	612370000	20119	607560000
0404987	612370122	12620462	612540039	153181	609750001	2034-00010	612290054
0404988	611290082	12650360	609050034	15318206	612290054	205-2026	612540039
0580 951.0	607560000	126-7354	612290054	15318902	605110080	208-9021	612290054
0582 193.0	612370122	126-7355	612290054	15318954	612290054	210492	608790037
0582 194 .0	606910001	1277976H91	605900034	15319260	612290054	2115532	608760000
0928-PP2-235	612290000	12827871	612540039	15319962	612530070	2186901	612370000
0928-PP2-245	612290000	129-8546-D	612290054	15319963	612500183	22120	612370000
0928-PP2-260	612290000	1305829	612290000	15325241	612500301	22121	612370000
0928-PP2-275	612290000	13114444H91	612370122	153363	611290080	2213373	608760000
0928-PP2-455	612290000	1312218	612290000	153364	612500079	2263836	612540039
0928-PP2-560	612290000	1314439 H 91	606910001	153365	612290054	2268782	612370000
10010497	607550000	13482633	608790037	15336537	610810004	2292-628	612632000
10013933	612370000	13482641	608790037	15343475	609750001	2292629	612632000
10013934	612370000	1353981	612290000	15343480	612290054	2292-645	612632000
100263	608790037	1353982	612290000	15343482	612290054	2292646	612370000
100264	608790037	139-4568	612370122	153442	611290082	2292647	612370000
10060751	608790000	139-4569	612290054	153443	612290054	2303674W	608790000
10060753	607630000	143830	608760000	153444	612290054	230-4109	605900034
10060755	612370000	143831	612370000	153475	612290054	230-9692	605900034
10064555	612370000	1439073	608760000	153-8430	612540039	230-9693	605900034
10065410	612370000	144-5227	612290054	155-0795	611290080	2426215	608760000
101828	608760000	144-5926	612290054	155-2480	612290000	2426231	608760000
102211	608790037	145-4771	612290054	156043	608790000	2426235	607550000
102212	608790037	1471724	612290000	156044	608790000	2426-339	602380067
107-9294	612370000	148709	612632000	162-3045	612290054	242966-249013	608090000
108-2655.00	612370000	15013306	612500028	166-2419	612290054	242967	612290000
109-41700000	612370000	15013308	608090000	171-4695	612540039	243413	612290000
109-41800000	612370000	15013437	612530078	172-4454	609750001	243559	612290000
11109962	612540039	15076938	612720005	172-4455	612290054	243560	612290000
11116161	612500028	15076941	610810044	172-5232	609050034	243561	612290000
11116162	608090000	152037	612370000	172-7634	612540039	243562	612290000
11116163	612500024	15251901	612290000	172-8551	612290054	243564	612290000
11116164	612500026	15300853	612290000	172-F3-0004	612370122	243998	612290000
11116165	607630000	15300854	612290000	172-F3-0006	612370122	245763	612290000
11116166	612290000	15300861	612370000	172-F3-0007	612370122	245-9165	612290054
11116167	612290000	15300862	612290000	174-0080	612290054	2479280	612290000
11116170	612530078	15307829	612290000	174-0084	612290054	249853	612290000
111573	608760000	15311238	608760000	174-4019	612290054	254-3304	605270006
112-00065A	607630000	15311239	612290000	1768151	612290054	258853A2	605360084
112-00082A	612370000	15311240	608760000	1771028	612290054	259074A1	605360084
112-00090	612290000	15311343	612370000	1771636	612290054	260-00012	612632000
1122471C91	608760000	15311563	612370122	1771637	612290054	260-00066A	602380067
112462	608760000	15311564	612500096	1771717	612290054	263G3-30021	606910001
11302252	612720005	15311565	612290054	18362101/1	612370122	263G3-37131	612370122
11302284	610810044	15311834	612370122	184-6766	612540039	263J3-30111	612500090
114257-51400	608760000	15311835	612370122	184-6767	612290054	263J3-37211	612290054
1209507H91	605120014	15311838	612370122	186-6356	612500183	26750	612370000
122589C	612370000	15311840	612500093	187-1499	611290080	27243	608790000
122600A	612370000	15311841	612290054	187-2676	612290054	290094	606910001
122638	608790000	15311842	612370122	187-2677	612540039	290114	612370122
123368B	608790000	15311843	612500079	188-0866	612540039	290118	612370122
125389	608760000	15311844	612370122	188-0867	612530035	290119	612370122
12586355	612540039	15312124	612500146	198-9822	612370122	290136	612370000
12587061	612540039	15312125	612290054	19WL050000010	612632000	290139	612290054
125-9176	612370122	15312126	612370122	2001056	608760000	290229-290582	612290054
125-9177	612370122	15313379	612370000	200-7735	612370122	290261	609750001

## OEM to Spicer Interchange

OEM Part Number	Spicer Wing Series Base Part Number	OEM Part Number	Spicer Wing Series Base Part Number	OEM Part Number	Spicer Wing Series Base Part Number	OEM Part Number	Spicer Wing Series Base Part Number
290262	612290124	315-1670	609050034	423-20-32510	612290000	480000167	612290054
290263	612290054	315-6180	609050034	423-20-H2110	612370000	480000170	608790037
290289	606910001	315-6181	612540039	425-20-32132	612530133	480000176	612370000
290297	612370122	3210U6D2	612290000	425-20-33122	612530134	480000177	612370122
290298	612370122	328-9786	612290054	425-20-34141	612530135	480000180	612290054
290299	612370122	32B-20-3111A	608790000	425-20-A2510	608090000	480000184	612290000
290304	612500096	332/S7340	609750001	426-20-23110	609050048	480000185	612290000
290326	612290054	332/S8227	608790037	426-20-31121	612340020	480000190	612290000
290328	612540039	332/T7271	612500096	426-20-32111	610810070	480000192	608790000
290342	612370122	332/W8184	612290054	426-20-33112	609050048	480000197	612370000
290343	612370122	333/S3018	612290054	426-20-34121	609050051	480000201	612370122
290346	612370122	340-0442	605270006	427-20-11310	609050051	480000202	608790037
290424	608790037	350-3062	612540039	428-20-11120	610810004	480000213	612500024
290440	612290054	355 PZ 91088	612370000	4330020	608760000	480000214	612500026
290447	612370000	355 PZ 91096	607550000	4330022	612370000	480000215	612500028
290458	612500183	355-1301	612370122	4330028	612370000	480000237	612632000
290476	608760000	366-2726	609050034	439205154	612290000	480000242	608790000
290476	612370000	370-8767	612290054	439205155	612500024	480000243	608790000
290479	612290000	375-PZ-02021	612632000	4515-236	612500026	480000245	608790000
290485	612290054	380-1407	612370122	4553396	612370122	480000276	612860000
290487	612370000	382843A1	612500079	4571705	612632000	490001138	608760000
290493	612290054	384-7759	612540039	4613600M91	612632000	490001159	612370122
290494	608760000	3865182	612530070	480000000	612370122	490001160	612370122
290504	612370000	388341-12001	612370122	480000003	607630000	490001209	612370122
290561	612370122	3884083	612500183	480000005	605120014	490001220	612290054
290593	612500079	3889350	612290054	480000023	609050034	500337460EZ	612290000
290603/A	612370122	3889351	612290054	480000028	608090000	500360199EZ	612290000
290661	612370000	3889352	612290054	480000077	612290000	500386706EZ	612500028
290665	612500217	3889353	612290054	480000078	612290000	500406489EZ	612540039
290900	612370268	3889353	612290054	480000081	612500024	500406491EZ	612290054
290901	612290000	389341-11001	612500079	480000082	612290000	500406492EZ	612290054
290902	612370000	389341-12001	612290054	480000084	612370000	500406559EZ	612370122
290903	612370000	390-0443	605270006	480000085	612290000	500406561EZ	609750001
290905	612370000	3904201	608760000	480000086	612290000	500417635	612290054
290906	612370000	3904351	608760000	480000087	612290000	500423646EZ	612290054
290907	612290284	3909001	608760000	480000088	612290000	500424268	611290082
290908	612370000	3909241	608790000	480000089	612290000	500432461	612290054
290909	612370000	3909352	612370000	480000090	612290000	500824	612290054
290910	612290000	3909431	608760000	480000091	612290000	500825	612290054
290911	612500028	3909511	608790000	480000101	608790000	500826	612290054
290911	612500028	392648A1	609750001	480000103	612370000	500827	612290054
290912	608090000	392649A1	612290054	480000104	607630000	5022864	608760000
290913	612500024	392652A1	612370122	480000109	608790000	5025116	602380135
290914	607630000	392654A1	612370122	480000110	612290000	5025750	607550000
290916	607560000	3M4617340	608760000	480000114	612643000	5028384	612632000
290920	612370000	40590039	608790000	480000130	608760000	5028702	608790000
299-2192	612860000	406420001	609050034	480000131	608760000	5028703	612632000
2U 6628-03	612500024	415B050000019	602880203	480000132	608760000	5028767	612370000
2U 8555-01	612370000	415C070000006	611290080	480000136	612825001	5028768	612370000
2U 8558-01	612370000	415D070000007	612370122	480000138	612290000	5028911	612632000
2U 8560	612370000	417-20-A1110	608790000	480000148	608760000	5036788	612370000
2U8550.01	612290000	418-20-32111	612632000	480000149	608760000	5037560	608760000
2U8551.02	612290000	418-20-32190	612632000	480000150	608760000	504036227EZ	612290000
2U8552.01	612290000	419-20-22100	612632000	480000151	602380067	504036763EB	607560000
2U8767.01	612290000	419-20-H2100	612632000	480000154	612290000	5041638	612632000
2X2309	605120014	423-20-12112	612370000	480000157	612370122	5043809	612370000
303-2504	612860000	423-20-32111	612370000	480000160	612290000	5043810	612370000
310-4849	612290054	423-20-32211	612370000	480000166	608790000	5045076	608760000

OEM Part Number	Spicer Wing Series Base Part Number	OEM Part Number	Spicer Wing Series Base Part Number	OEM Part Number	Spicer Wing Series Base Part Number	OEM Part Number	Spicer Wing Series Base Part Number
5048359	<b>608760000</b>	586544	<b>612290000</b>	602930058	<b>612370000</b>	606910029	<b>606910001</b>
5049392	<b>608790000</b>	59224543	<b>608790037</b>	602930059	<b>612370000</b>	606910035	<b>606910001</b>
5049395	<b>644120010</b>	59224550	<b>608790037</b>	603450009	<b>612632000</b>	606920000	<b>612370000</b>
5049539	<b>612632000</b>	59255612	<b>608790037</b>	603820009	<b>608760000</b>	606920002	<b>612370000</b>
5053097	<b>612370122</b>	5949780788	<b>612500093</b>	604310020	<b>608790000</b>	606980006	<b>612290000</b>
5068453	<b>644120010</b>	5949782086	<b>612540039</b>	604310021	<b>608790000</b>	606980008	<b>612290000</b>
5068490	<b>611290080</b>	5U 2027	<b>612290000</b>	604310022	<b>608790000</b>	606990000	<b>607630000</b>
5078841	<b>612632000</b>	600770002	<b>600770004</b>	604310023	<b>608790000</b>	607010000	<b>608760000</b>
5194618	<b>608760000</b>	60139697	<b>608790000</b>	605110070	<b>605110067</b>	607250007	<b>612632000</b>
5198218	<b>612632000</b>	601790046	<b>608790000</b>	605110081	<b>605110080</b>	607250009	<b>612632000</b>
5212796	<b>612290054</b>	601790047	<b>608790000</b>	605110100	<b>605110098</b>	607250013	<b>612632000</b>
5212845	<b>609750001</b>	602380079	<b>602380067</b>	605110103	<b>605110101</b>	607250014	<b>612632000</b>
5213122	<b>612290054</b>	602380101	<b>602380098</b>	605120002	<b>605120014</b>	607250015	<b>612632000</b>
5215990	<b>612370122</b>	602380102	<b>602380098</b>	605120004	<b>605120014</b>	607250017	<b>612632000</b>
5216001	<b>612370122</b>	602380103	<b>602380098</b>	605120010	<b>605120014</b>	607250021	<b>612632000</b>
5216006	<b>612370122</b>	602380104	<b>602380098</b>	605120012	<b>605120014</b>	607250028	<b>612632000</b>
5219105	<b>612290054</b>	602380107	<b>602380098</b>	605120013	<b>605120014</b>	607260002	<b>608790000</b>
528874	<b>612290054</b>	602380114	<b>602380098</b>	605120016	<b>605120014</b>	607260006	<b>608790000</b>
528875	<b>612540039</b>	602380141	<b>602380098</b>	605120075	<b>605120014</b>	607260020	<b>608790000</b>
528877	<b>612290054</b>	602380159	<b>602380067</b>	605120076	<b>605120014</b>	607260022	<b>608790000</b>
528878	<b>612500090</b>	602380165	<b>602380163</b>	605180001	<b>607550000</b>	607260029	<b>608790000</b>
528879	<b>612290054</b>	602390007	<b>608760000</b>	605270008	<b>605270006</b>	607260061	<b>608790000</b>
528880	<b>612540039</b>	602390015	<b>608760000</b>	605270009	<b>605270006</b>	607260065	<b>608790000</b>
528881	<b>612290054</b>	602390031	<b>608760000</b>	605270010	<b>605270006</b>	607260072	<b>608790000</b>
5400010071	<b>612290054</b>	602390040	<b>608760000</b>	605360081	<b>605360084</b>	607260073	<b>608790000</b>
5410Q11D1	<b>612370122</b>	602390041	<b>608760000</b>	605360106	<b>605360084</b>	607260076	<b>608790000</b>
5410Q20	<b>612370000</b>	602390056	<b>608760000</b>	605360107	<b>605360084</b>	607260077	<b>608790000</b>
543007-EE	<b>608790000</b>	602390065	<b>608760000</b>	605360127	<b>605360084</b>	607260078	<b>608790000</b>
543008-EE	<b>612290000</b>	602390066	<b>608760000</b>	605360128	<b>605360084</b>	607260079	<b>608790000</b>
543009-EE	<b>612290000</b>	602390068	<b>608760000</b>	605360129	<b>605360084</b>	607260080	<b>608790000</b>
543010-EE	<b>612290000</b>	602390073	<b>608760000</b>	605360130	<b>605360084</b>	607260082	<b>608790000</b>
54468095	<b>608790037</b>	602390075	<b>608760000</b>	605390004	<b>607550000</b>	607260085	<b>608790000</b>
54468103	<b>608790037</b>	602390076	<b>608760000</b>	605650000	<b>607630000</b>	607260086	<b>608790000</b>
54478219	<b>608790037</b>	602390086	<b>608760000</b>	605900022	<b>605900034</b>	607260087	<b>608790000</b>
54478516	<b>608790037</b>	602390088	<b>608760000</b>	605900033	<b>605900034</b>	607260088	<b>605360084</b>
54478565	<b>608790037</b>	602390089	<b>608760000</b>	605900035	<b>605900034</b>	607260093	<b>608790000</b>
54479878	<b>608790037</b>	602570030	<b>608790000</b>	605900036	<b>605900034</b>	607260095	<b>605360084</b>
54568522	<b>608790037</b>	602570034	<b>608790000</b>	605900041	<b>605900034</b>	607260096	<b>608790000</b>
54568837	<b>608790037</b>	602810003	<b>607550000</b>	606070000	<b>612632000</b>	607360000	<b>612290000</b>
54568845	<b>608790037</b>	602810008	<b>607560000</b>	606071	<b>608790000</b>	607450006	<b>607450003</b>
550006-EE	<b>608790000</b>	602810009	<b>607630000</b>	606090000	<b>607630000</b>	607530034	<b>612540039</b>
5572265100	<b>611290082</b>	602810014	<b>607560000</b>	606100000	<b>612370000</b>	607550002	<b>607550000</b>
5574677800	<b>612370122</b>	602810037	<b>607550000</b>	606230030	<b>607630000</b>	607550005	<b>607550000</b>
557591800	<b>612290054</b>	602810060	<b>607560000</b>	606230031	<b>607630000</b>	607550010	<b>611290080</b>
558411-EE	<b>612290000</b>	602810068	<b>607560000</b>	606530000	<b>608790000</b>	607550013	<b>607550000</b>
561-20-A1140	<b>612825001</b>	602880161	<b>612370000</b>	606540000	<b>612370000</b>	607550022	<b>607550000</b>
56649167	<b>608760000</b>	602880181	<b>607560000</b>	606550000	<b>612370000</b>	607560002	<b>607560000</b>
569-20-72000	<b>612825001</b>	602880187	<b>607560000</b>	606580006	<b>606580004</b>	607560003	<b>607560000</b>
56B-20-15900	<b>612290000</b>	602880205	<b>602880203</b>	606580012	<b>606580004</b>	607560016	<b>607560000</b>
56B-20-2590B	<b>612290000</b>	602880209	<b>602880203</b>	606580013	<b>606580004</b>	607560019	<b>607560000</b>
56C-20-15900	<b>612290000</b>	602880213	<b>602880203</b>	606590001	<b>612643000</b>	607560022	<b>607560000</b>
56D-20-14001	<b>612290000</b>	602900170	<b>608760000</b>	606790000	<b>612632000</b>	607590000	<b>608790000</b>
56D-20-14900	<b>612290000</b>	602900176	<b>608760000</b>	606800000	<b>608760000</b>	607630004	<b>607630000</b>
56D-20-21000	<b>612643000</b>	602900201	<b>608760000</b>	606820000	<b>612632000</b>	607630032	<b>607630000</b>
56E-20-22900	<b>607560000</b>	602900205	<b>608760000</b>	606870000	<b>607550000</b>	607860031	<b>607860035</b>
56E-20-24900	<b>612290000</b>	602930022	<b>612370000</b>	606910000	<b>606910001</b>	608340000	<b>612370000</b>
56E-20-24901	<b>612290000</b>	602930024	<b>612370000</b>	606910004	<b>606910001</b>	608580000	<b>608790000</b>
576839	<b>612290000</b>	602930047	<b>612370000</b>	606910012	<b>607560000</b>	608610000	<b>612370000</b>

## OEM to Spicer Interchange

OEM Part Number	Spicer Wing Series Base Part Number	OEM Part Number	Spicer Wing Series Base Part Number	OEM Part Number	Spicer Wing Series Base Part Number	OEM Part Number	Spicer Wing Series Base Part Number
608790011	608790000	609050017	609050051	610520080	608760000	611290215	607560000
608790015	608790000	609050022	609050048	610520081	608760000	611290227	611290080
608790016	608790000	609050029	609050034	610520082	608760000	611290237	607560000
608790017	608790000	609050035	609050034	610520083	608760000	611310057	611310101
608790019	608790000	609050076	609050034	610520085	608760000	611310058	611310101
608790020	608790000	609050078	609050034	610520086	608760000	611310075	611310101
608790021	608790000	609050080	609050048	610520087	608760000	611310076	611310101
608790022	608790000	609050084	609050051	610520088	608760000	611310096	611310101
608790023	608790000	609050089	609050034	610520089	608760000	611320045	611320042
608790026	608790000	609050091	609050034	610520119	608760000	611320046	611320042
608790028	608790033	609050092	609050034	610520125	602380137	611320049	611320042
608790031	608790000	609050093	609050034	610520126	608760000	611320056	611320042
608790032	608790000	609050105	609050034	610520128	608760000	611320062	611320042
608790035	608790033	6091394	612540039	610520131	608760000	611380029	611380005
608790040	608790037	609180000	612370000	610520132	608760000	611540003	608760000
608790046	608790037	609310001	602380067	610520134	608760000	611940007	608790000
608790047	608790037	609330000	607560000	610520135	608760000	611940008	608790000
608790048	608790037	609360003	608790000	610520138	608760000	611940009	608790000
608790049	608790037	609380002	607560000	610740000	612632000	612100001	612632000
608790050	608790037	609420000	608760000	610810003	610810004	612260001	612290054
608790051	608790037	6094443	612540039	610810007	610810004	612290007	612290000
608790053	608790037	609500012	609750001	610810009	610810004	612290011	612290000
608790054	608790037	609500193	609750001	610810035	610810070	612290015	612290054
608790055	608790037	609630013	608760000	610810046	610810044	612290018	612290054
608790056	608790037	609630021	608760000	610810051	610810004	612290026	612290000
608790057	608790037	609630022	608760000	610810055	610810044	612290030	612290000
608790058	608790037	6097155	612370122	610910005	612370000	612290031	612290000
608790059	608790037	609740000	612370122	610910020	612370000	612290032	612290000
608790060	608790037	609750000	609750001	611290010	607630000	612290038	612290000
608790061	608790037	609750004	609750001	611290013	607560000	612290039	612290000
608790062	608790037	609750006	609750001	611290018	606910001	612290040	612290000
608790063	608790037	609750008	609750001	611290029	611290080	612290041	612290000
608790064	608790037	609750010	609750001	611290040	611290082	612290043	612290000
608790065	608790037	609750013	609750001	611290043	611290082	612290044	612290000
608790066	608790037	609900001	612290000	611290050	607550000	612290049	612290054
608790067	608790037	610080000	612370000	611290055	607560000	612290050	612290000
608790070	608790000	610150000	610810004	611290056	606910001	612290052	612290054
608790074	608790072	610330000	608790000	611290057	606910001	612290053	612290054
608790075	608790037	610340000	608790000	611290060	611290082	612290054-108M	612290054
608790079	608790000	610520004	608760000	611290062	612370122	612290054-253M	612290054
608790081	608790037	610520006	608760000	611290063	606910001	612290054-520M	612290054
608790082	608790000	610520010	608760000	611290070	607560000	612290054-65M	612290054
608790085	608790037	610520011	608760000	611290078	611290080	612290054-680M	612290054
608790086	608790000	610520013	608760000	611290117	606910001	612290054-706M	612290054
608790087	608790000	610520023	608760000	611290131	606910001	612290055	612290054
608790090	608790037	610520028	608760000	611290132	607550000	612290056	612290054
608790091	608790037	610520030	608760000	611290143	607560000	612290057	612290054
608790093	608790000	610520036	608760000	611290147	611290080	612290058	612290000
608790094	608790000	610520043	608760000	611290148	607560000	612290065	612290000
608790096	608790000	610520044	608760000	611290151	611290080	612290067	612290000
608790098	608790037	610520051	608760000	611290162	611290080	612290069	612290000
608790101	608790037	610520058	608760000	611290180	611290082	612290070	612290000
608790103	608790000	610520061	608760000	611290184	606910001	612290073	612290054
608790104	608790000	610520064	608760000	611290186	611290082	612290075	612290054
608790106	608790037	610520065	608760000	611290191	611290080	612290078	612290000
608790107	608790109	610520066	608760000	611290203	607560000	612290079	612290054
608900000	605120014	610520070	608760000	611290205	607630000	612290080	612290054
609000000	608790000	610520077	608760000	611290210	606910001	612290081	612290054

OEM Part Number	Spicer Wing Series Base Part Number	OEM Part Number	Spicer Wing Series Base Part Number	OEM Part Number	Spicer Wing Series Base Part Number	OEM Part Number	Spicer Wing Series Base Part Number
612290082	612290000	612290236	612290054	612290340	612290054	612370198	612370122
612290083	612290054	612290238	612290000	612290346	612290000	612370199	612370122
612290084	612290054	612290240	612290000	612290350	612290206	612370200	612370122
612290085	612290000	612290241	612290054	612340022	612340020	612370202	612370122
612290087	612290000	612290245	612290054	612340025	612530135	612370204	612370122
612290088	612290000	612290247	612290000	612370003	612370000	612370212	612370000
612290089	612290000	612290249	612290054	612370008	612370000	612370214	612370122
612290090	612290000	612290251	612290054	612370013	612370122	612370215	612370122
612290091	612290000	612290252	612290054	612370031	612370000	612370217	612370122
612290092	612290000	612290254	612290054	612370038	612370000	612370218	612370122
612290093	612290054	612290256	612290054	612370041	612370000	612370219	612370122
612290094	612290054	612290258	612290054	612370045	612370000	612370220	612370122
612290095	612290054	612290259	612290000	612370051	612370000	612370221	612370122
612290096	612290054	612290260	612290000	612370077	612370122	612370225	612370122
612290097	612290000	612290264	612290000	612370078	612370122	612370229	612370122
612290099	612290054	612290265	612290000	612370080	612370000	612370234	612370122
612290100	612290054	612290266	612290000	612370081	612370000	612370235	612370122
612290103	612290054	612290267	612290000	612370082	612370000	612370236	612370122
612290111	612290000	612290270	612290000	612370083	612370000	612370244	612370122
612290113	612290054	612290272	612290000	612370084	612370000	612370248	612370000
612290115	612290054	612290273	612290054	612370088	612370000	612370251	612370000
612290117	612290000	612290274	612290054	612370092	612370122	612370256	612370122
612290121	612290054	612290275	612290000	612370110	612370000	612370257	612370122
612290123	612290054	612290276	612290000	612370112	612370122	612370259	612370000
612290132	612290054	612290277	612290054	612370113	612370000	612370260	612370000
612290134	612290054	612290278	612290054	612370118	612370122	612370270	612370268
612290135	612290054	612290279	612290054	612370119	612370122	612370277	612370000
612290136	612290054	612290280	612290054	612370121	612370000	612370278	612370122
612290138	612290124	612290282	612290000	612370124	612370122	612370280	612370122
612290142	612290054	612290283	612290000	612370125	612370000	612370282	612370000
612290144	612290000	612290286	612290000	612370129	612370000	612370283	612370122
612290145	612290000	612290288	612290284	612370132	612370000	612370284	612370122
612290148	612290054	612290289	612290000	612370133	612370000	612370285	612370122
612290155	612290000	612290290	612290000	612370138	612370122	612370286	612370268
612290159	612290054	612290292	612290054	612370139	612370122	612370286	612370268
612290161	612290054	612290293	612290000	612370149	612370000	612370287	612370000
612290170	612290054	612290297	612290000	612370150	612370000	612370299	612370122
612290171	612290054	612290305	612290000	612370151	612370000	612370303	612370000
612290172	612290054	612290307	612290054	612370152	612370000	612370306	612370000
612290173	612290000	612290308	612290054	612370153	612370000	612370307	612370122
612290181	612290054	612290310	612290000	612370156	612370122	612370308	612370122
612290182	612290054	612290312	612290000	612370157	612370000	612370312	612370310
612290186	612290000	612290313	612290054	612370158	612370000	612370315	612370000
612290190	612290054	612290316	612290314	612370162	612370000	612370316	612370122
612290196	612290054	612290317	612290314	612370163	612370000	612370317	612370122
612290202	612290000	612290320	612290054	612370164	612370122	612370318	612370000
612290203	612290000	612290321	612290054	612370165	612370122	612370320	612370122
612290207	612290206	612290323	612290054	612370166	612370122	612370321	612370122
612290212	612290000	612290324	612290054	612370167	612370122	612370322	612370122
612290214	612290054	612290325	612290054	612370173	612370000	612370323	612370122
612290217	612290054	612290326	612290054	612370177	612370122	612370324	612370122
612290218	612290054	612290327	612290000	612370178	612370122	612370329	612370000
612290221	612290054	612290329	612290054	612370186	612370000	612370346	612370122
612290228	612290000	612290330	612290054	612370187	612370000	612370348	612370122
612290229	612290054	612290331	612290054	612370188	612370122	612370350	612370000
612290233	612290054	612290333	612290000	612370189	612370122	612370352	612370000
612290234	612290054	612290338	612290054	612370190	612370122	612370353	612370122
612290235	612290054	612290339	612290054	612370196	612370122	612370354	612370000



## OEM to Spicer Interchange

OEM Part Number	Spicer Wing Series Base Part Number	OEM Part Number	Spicer Wing Series Base Part Number	OEM Part Number	Spicer Wing Series Base Part Number	OEM Part Number	Spicer Wing Series Base Part Number
612370357	<b>612370000</b>	612370445	<b>612370000</b>	612500258	<b>612500079</b>	612540154	<b>612540039</b>
612370359	<b>612370000</b>	612370450	<b>612370000</b>	612500260	<b>612500093</b>	612540155	<b>612540039</b>
612370361	<b>612370122</b>	612370451	<b>612370000</b>	612500262	<b>612500217</b>	612540165	<b>612540039</b>
612370362	<b>612370122</b>	612370453	<b>612370000</b>	612500264	<b>612500028</b>	612540183	<b>612540039</b>
612370363	<b>612370122</b>	612370455	<b>612370000</b>	612500282	<b>612500146</b>	612540187	<b>612540039</b>
612370364	<b>612370122</b>	612370457	<b>612370000</b>	612500283	<b>612500026</b>	612540191	<b>612540039</b>
612370365	<b>612370000</b>	612370458	<b>612370000</b>	612500287	<b>612500024</b>	612540192	<b>612540039</b>
612370366	<b>612370122</b>	612370461	<b>612370268</b>	612500292	<b>612500024</b>	612540194	<b>612540039</b>
612370368	<b>612370000</b>	612370462	<b>612370268</b>	612500294	<b>612500028</b>	612611001	<b>612290000</b>
612370370	<b>612370122</b>	612370463	<b>612370268</b>	612500303	<b>612500301</b>	612611002	<b>612290000</b>
612370371	<b>612370122</b>	612370464	<b>612370268</b>	612500305	<b>612500093</b>	612611003	<b>612290000</b>
612370376	<b>612370122</b>	612370465	<b>612370000</b>	612500310	<b>612500096</b>	612611004	<b>612290000</b>
612370378	<b>612370122</b>	612370467	<b>612370000</b>	612500316	<b>612500026</b>	612611005	<b>612290054</b>
612370379	<b>612370122</b>	612500001	<b>612500024</b>	612500320	<b>612500093</b>	612611006	<b>612290054</b>
612370382	<b>612370000</b>	612500002	<b>612500024</b>	612500323	<b>612500028</b>	612611007	<b>612290054</b>
612370383	<b>612370000</b>	612500003	<b>612500024</b>	612500342	<b>612500090</b>	612611008	<b>612290054</b>
612370385	<b>612370000</b>	612500007	<b>612500026</b>	612500344	<b>612500096</b>	612611009	<b>612290054</b>
612370386	<b>612370122</b>	612500012	<b>612500079</b>	612500352	<b>612500090</b>	612611010	<b>612290054</b>
612370387	<b>612370122</b>	612500013	<b>612500026</b>	612510198	<b>612540039</b>	612611011	<b>612290054</b>
612370389	<b>612370122</b>	612500016	<b>612500079</b>	612530001	<b>608090000</b>	612611012	<b>612290054</b>
612370390	<b>612370122</b>	612500020	<b>612500028</b>	612530009	<b>608090000</b>	612611013	<b>612290054</b>
612370391	<b>612370000</b>	612500038	<b>612500024</b>	612530010	<b>608090000</b>	612613004	<b>602380135</b>
612370393	<b>612370000</b>	612500040	<b>612500079</b>	612530020	<b>608090000</b>	612615003	<b>612290000</b>
612370394	<b>612370000</b>	612500047	<b>612500217</b>	612530029	<b>608090000</b>	612617001	<b>612370000</b>
612370395	<b>612370000</b>	612500049	<b>612500024</b>	612530032	<b>612530078</b>	612617002	<b>612370000</b>
612370396	<b>612370000</b>	612500050	<b>612290054</b>	612530038	<b>612530035</b>	612617003	<b>612370000</b>
612370397	<b>612370000</b>	612500052	<b>612500024</b>	612530039	<b>608090000</b>	612627002	<b>607550000</b>
612370398	<b>612370000</b>	612500053	<b>612500026</b>	612530056	<b>608090000</b>	612632001	<b>612632000</b>
612370400	<b>612370268</b>	612500055	<b>612500096</b>	612530072	<b>612530070</b>	612632003	<b>612632000</b>
612370406	<b>612370000</b>	612500056	<b>612500024</b>	612530080	<b>612530078</b>	612632004	<b>612632000</b>
612370408	<b>612370000</b>	612500057	<b>612500026</b>	612530081	<b>608090000</b>	612632005	<b>612632000</b>
612370410	<b>612370000</b>	612500058	<b>612500028</b>	612530099	<b>608090000</b>	612632008	<b>612632000</b>
612370412	<b>612370122</b>	612500064	<b>612290000</b>	612530103	<b>608090000</b>	612632014	<b>612632000</b>
612370414	<b>612370000</b>	612500070	<b>609750001</b>	612530115	<b>612530134</b>	612632015	<b>612632000</b>
612370415	<b>612370000</b>	612500071	<b>612500183</b>	612530118	<b>612530133</b>	612632016	<b>612632000</b>
612370416	<b>612370000</b>	612500073	<b>612500028</b>	612530139	<b>612530070</b>	612632024	<b>612632000</b>
612370417	<b>612370000</b>	612500082	<b>612500079</b>	612540012	<b>612540039</b>	612632044	<b>612632000</b>
612370418	<b>612370122</b>	612500092	<b>612500090</b>	612540034	<b>612540039</b>	612632049	<b>612632000</b>
612370419	<b>612370000</b>	612500100	<b>612500093</b>	612540037	<b>612540039</b>	612632050	<b>612632000</b>
612370421	<b>612370122</b>	612500130	<b>612500096</b>	612540038	<b>612540039</b>	612632052	<b>612632000</b>
612370423	<b>612370000</b>	612500133	<b>609750001</b>	612540045	<b>612540039</b>	612632055	<b>612632000</b>
612370424	<b>612370122</b>	612500134	<b>612500093</b>	612540050	<b>612540039</b>	612632056	<b>612632000</b>
612370425	<b>612370122</b>	612500136	<b>612500079</b>	612540051	<b>612540039</b>	612632059	<b>612632000</b>
612370427	<b>612370122</b>	612500148	<b>612500146</b>	612540058	<b>612540039</b>	612632061	<b>612632000</b>
612370429	<b>612370000</b>	612500159	<b>612500024</b>	612540060	<b>612540039</b>	612640004	<b>612290054</b>
612370430	<b>612370122</b>	612500160	<b>612500096</b>	612540061	<b>612540039</b>	612643002	<b>612643000</b>
612370431	<b>612370122</b>	612500163	<b>612500096</b>	612540092	<b>612540039</b>	612643005	<b>612643000</b>
612370432	<b>612370000</b>	612500174	<b>609750001</b>	612540102	<b>612540039</b>	612643011	<b>612643000</b>
612370434	<b>612370000</b>	612500185	<b>612500183</b>	612540103	<b>612540039</b>	612643012	<b>612643000</b>
612370435	<b>612370000</b>	612500207	<b>612500183</b>	612540111	<b>612540039</b>	612643013	<b>612643000</b>
612370437	<b>612370122</b>	612500212	<b>612500093</b>	612540114	<b>612540039</b>	612690002	<b>612825001</b>
612370438	<b>612370122</b>	612500235	<b>612500183</b>	612540115	<b>612540039</b>	612720007	<b>612720005</b>
612370439	<b>612370122</b>	612500237	<b>612500090</b>	612540116	<b>612540039</b>	612720010	<b>612720005</b>
612370440	<b>612370122</b>	612500239	<b>612500024</b>	612540117	<b>612540039</b>	612825004	<b>612825001</b>
612370441	<b>612370122</b>	612500245	<b>612500024</b>	612540118	<b>612540039</b>	612825012	<b>612825001</b>
612370442	<b>612370122</b>	612500247	<b>612500026</b>	612540121	<b>612540039</b>	612825014	<b>612825001</b>
612370443	<b>612370122</b>	612500252	<b>612500024</b>	612540136	<b>612540039</b>	612825016	<b>612825001</b>
612370444	<b>612370122</b>	612500253	<b>612500028</b>	612540148	<b>612540039</b>	612825017	<b>612825001</b>

OEM Part Number	Spicer Wing Series Base Part Number	OEM Part Number	Spicer Wing Series Base Part Number	OEM Part Number	Spicer Wing Series Base Part Number	OEM Part Number	Spicer Wing Series Base Part Number
612825018	<b>612825001</b>	76066232	<b>612643000</b>	98190427	<b>612370122</b>	D95033-0303-106	<b>612500093</b>
612845002	<b>612860000</b>	76092458	<b>612643000</b>	98194828	<b>612290054</b>	DOD 4959	<b>609050034</b>
612845004	<b>612860000</b>	787748	<b>612370000</b>	98194831	<b>612290054</b>	E850250	<b>612370122</b>
613745	<b>612290000</b>	79055619	<b>612632000</b>	985-PZ-02013	<b>612825001</b>	E850253	<b>612370000</b>
613745	<b>612290000</b>	79055624	<b>612370000</b>	98668	<b>608760000</b>	E8A0689	<b>612370000</b>
613961	<b>612370122</b>	79064676	<b>608760000</b>	990010	<b>612290000</b>	E8A0690	<b>607560000</b>
621523	<b>612370122</b>	79065124	<b>605120014</b>	990295	<b>612290000</b>	F002616	<b>608760000</b>
622338	<b>612370122</b>	79074731	<b>608790000</b>	998 PD 02035	<b>612370000</b>	F004307	<b>606910001</b>
64/64714	<b>608790000</b>	79074732	<b>605120014</b>	998 PD 02043	<b>612370000</b>	F004310	<b>612370000</b>
644120013	<b>644120010</b>	7U 2129	<b>612370000</b>	AT157182	<b>607450003</b>	F033062	<b>608760000</b>
644120014	<b>644120010</b>	7U 2190	<b>612290000</b>	AT161029	<b>602380098</b>	F036028	<b>612370000</b>
6560295	<b>602880203</b>	7U2258	<b>610810004</b>	AT161031	<b>612370268</b>	F038388	<b>612370000</b>
6638	<b>608760000</b>	80000556	<b>612370122</b>	AT161031	<b>612370268</b>	F052789	<b>612370000</b>
6639	<b>608760000</b>	811210300	<b>608760000</b>	AT199083	<b>612370268</b>	F054576	<b>612370000</b>
6641	<b>608760000</b>	811715800	<b>612370000</b>	AT199086	<b>611310101</b>	F064609	<b>612370000</b>
67642162	<b>608760000</b>	811858300	<b>612632000</b>	AT199097	<b>602380098</b>	F064610	<b>612370000</b>
6U 0487-03	<b>612370000</b>	811B050000128	<b>608790037</b>	AT199100	<b>611320042</b>	F064611	<b>612370000</b>
700036883	<b>612632000</b>	81L6-00071	<b>612290054</b>	AT199104	<b>608790033</b>	F070649	<b>612370000</b>
71402472	<b>608790000</b>	841193909	<b>605110098</b>	AT199106	<b>611310101</b>	F070846	<b>612290000</b>
715869	<b>612290000</b>	84154330	<b>605360084</b>	AT199109	<b>602380098</b>	F071446	<b>602380137</b>
7207727	<b>608790000</b>	84170773	<b>605110101</b>	AT199110	<b>607450003</b>	F071447	<b>608760000</b>
7207798	<b>607560000</b>	84178823	<b>605360084</b>	AT199117	<b>602380098</b>	F072205	<b>612290000</b>
7207799	<b>608790000</b>	84179666	<b>605360084</b>	AT199118	<b>611320042</b>	F072206	<b>612500028</b>
72526418	<b>612370122</b>	84179681	<b>605360084</b>	AT199661	<b>605110067</b>	F074549	<b>612370000</b>
72526419	<b>612370122</b>	84344498	<b>612500096</b>	AT310025	<b>612290054</b>	F074893	<b>608760000</b>
73640001402	<b>612370000</b>	84344502	<b>612290054</b>	AT310025	<b>612290054</b>	F123741	<b>608790033</b>
73640002867	<b>612370000</b>	84344504	<b>612290314</b>	AT310026	<b>612290054</b>	F123757	<b>602380098</b>
7-364-001369	<b>612370122</b>	84466491	<b>612290314</b>	AT316033	<b>602380098</b>	J6A0463	<b>612290054</b>
7-364-001386	<b>612500096</b>	84579017	<b>608790109</b>	AT316478	<b>612370310</b>	J9A0114	<b>612290054</b>
7-364-001393	<b>612290054</b>	855017P0012	<b>608790000</b>	AT329735	<b>612290206</b>	K2001091 H	<b>608760000</b>
7-364-002559	<b>612290054</b>	87109129	<b>607860035</b>	AT329737	<b>606580004</b>	L68549	<b>608790037</b>
7364002633	<b>607560000</b>	87150-0305-002	<b>608760000</b>	AT329986	<b>611310101</b>	L68562	<b>608790037</b>
7-364-002633	<b>606910001</b>	87426992	<b>605360084</b>	AT333195	<b>607560000</b>	L68563	<b>608790037</b>
7-364-100042	<b>612500096</b>	87426993	<b>605360084</b>	AT333197	<b>611290080</b>	M2001074H	<b>608790000</b>
7364100050	<b>612370122</b>	87645798	<b>611290080</b>	AT349201	<b>611310101</b>	MC-50169 10C	<b>608790000</b>
7-364-100062	<b>612370122</b>	8806900	<b>612370000</b>	AT349202	<b>606580004</b>	MC-50169 11C	<b>608790000</b>
7364100069	<b>612290054</b>	8806901	<b>612370000</b>	AT349203	<b>611320042</b>	MC-50169 12C	<b>608790000</b>
7364100070	<b>612370122</b>	884-0640-161	<b>612290000</b>	AT359785	<b>602380098</b>	MC-50169 13C	<b>608790000</b>
7364100072	<b>612290054</b>	885813C92	<b>612290000</b>	AT364103	<b>611320042</b>	MC-50169 14C	<b>608790000</b>
7-364-100115	<b>612370122</b>	91.355.066.383.5	<b>608760000</b>	AT375109	<b>612290054</b>	MC-50282/10C/11C	<b>608790000</b>
7-364-100121	<b>612370122</b>	912B050000207	<b>612370122</b>	AT375126	<b>612290054</b>	MC-50282/11OLF	<b>608790000</b>
7-364-100135	<b>612370122</b>	912B050000218	<b>612370122</b>	AT375156	<b>612540039</b>	MC-50282/8C	<b>608790000</b>
7-364-100148	<b>612370122</b>	914/60206	<b>612370122</b>	AT393305	<b>606580004</b>	MC-50282/9C	<b>608790000</b>
7-364-100192	<b>612540039</b>	914/60275	<b>609750001</b>	AT402809	<b>605120014</b>	N4A0133	<b>612290054</b>
7421857886	<b>609750001</b>	921064.0066	<b>608790000</b>	AT402812	<b>605120014</b>	P2034-02100	<b>612370122</b>
7421857893	<b>612500090</b>	921064.0068	<b>608790000</b>	AT402813	<b>612370268</b>	P2034-02120	<b>612370122</b>
75236920	<b>612632000</b>	935301 306	<b>612290000</b>	AT402813	<b>612370268</b>	P2034-02170	<b>611290082</b>
75267602	<b>605120014</b>	937702C91	<b>612540039</b>	AT402813	<b>612370268</b>	P2034-02180	<b>612540039</b>
76002605	<b>607550000</b>	943250430	<b>608790000</b>	AT402813	<b>612370268</b>	SH8300-100	<b>612370000</b>
76032503	<b>612632000</b>	943250470IG	<b>608790000</b>	AT402819	<b>612643000</b>	SH8600-100	<b>612632000</b>
76033613-01	<b>612370000</b>	943270280	<b>607560000</b>	AT402820	<b>612643000</b>	ST-10C-440	<b>610810004</b>
76038828	<b>612370000</b>	943270675	<b>612370000</b>	AT402821	<b>612643000</b>	T1388149	<b>612290000</b>
76040893	<b>605120014</b>	943270760	<b>612370000</b>	AT402822	<b>612290206</b>	T1475129	<b>608760000</b>
76052813	<b>612643000</b>	943271330	<b>612370000</b>	AT408587	<b>612290054</b>	X65-224	<b>612290000</b>
76053056	<b>608790000</b>	9436630	<b>607630000</b>	BN000911	<b>612500146</b>	X-799658	<b>612500093</b>
76053057	<b>608790000</b>	953-PI-01015	<b>612825001</b>	BN009908	<b>612290000</b>		
76053058	<b>608760000</b>	98190424	<b>612370122</b>	BVD1396	<b>608760000</b>		
76054846	<b>605120014</b>	98190425	<b>612370122</b>	BVD1397	<b>608760000</b>		









DANA-BACKED COVERAGE.  
FIND IT HERE.



**SPICER**<sup>®</sup>



For more information on our genuine Spicer Wing<sup>®</sup> Series driveshafts and driveshaft components, visit [www.SpicerParts.com/Literature](http://www.SpicerParts.com/Literature) and download the Spicer Wing<sup>®</sup> Series brochure.



[www.SpicerParts.com/Literature](http://www.SpicerParts.com/Literature)

©Dana Limited, 2016. All rights reserved. Dana Limited, Spicer<sup>®</sup> and Wing<sup>®</sup> Series are registered trademarks of Dana Limited.



**Dana Aftermarket Group**  
PO Box 1000  
Maumee, Ohio 43537

Warehouse Distributors: 1.800.621.8084  
OE Dealers: 1.877.777.5360

[www.SpicerParts.com](http://www.SpicerParts.com)

**SPICER**<sup>®</sup>



J3351-2-DAG Printed in U.S.A.  
Copyright Dana Limited, 2017.  
All rights reserved. Dana Limited.

