

SPICER®



J300P-8

December 2012

Supersedes J300P-8

Dated September 2008

Driveline Components Catalog Yoke Shafts



Use this catalog to find a specific yoke shaft with the exact dimensions that fit your vehicle, or see a selection of yoke shafts with common dimensions.



Product pictured is intended to be a representation of product category.

HOW TO USE THIS CATALOG

To identify a yoke shaft:

1. Determine the Series
2. Determine the spline outside diameter and number of teeth.
3. Determine the length from centerline of joint to end of spline.

Use of the above data will narrow the selection down to a specific yoke shaft with exact dimensions or a selection of yoke shafts having common dimensions.

Within those common shafts, there may be part numbers that have different lengths of spline, different distances from the end of the spline to the radius at the neck of the shaft or different maximum working angles.

Footnotes for parts and assemblies that are discontinued, will be discontinued upon depletion of stock, or not sold separately, are indicated by a symbol next to the part number. Match the symbol to the appropriate status at the bottom of the page. All other footnotes are located immediately below the yoke dimensional data.

Series and all pertinent series dimensions appear as shown in the samples below:

Spicer Life Series®:

	K Centerline to End of Spline	L Centerline to End of Can/Tube	Style	Boot Can/ Tube Assembly Part Number	Plug Part Number	Yoke Shaft Part Number
①	SPL140 SERIES		E-5.028 D-1.936	USE KIT SPL140X		
②	3.071-30 Involute Spline					
③	11.811	8.661	1	91-30-2-132M	140-68-13	140-82-21X
	SPL170 SERIES		E-6.024 D-2.166	USE KIT SPL170X		
	3.464-34 Involute Spline					
	11.062	7.500	1	100-30-2-84M	6-68-64	170-82-191X

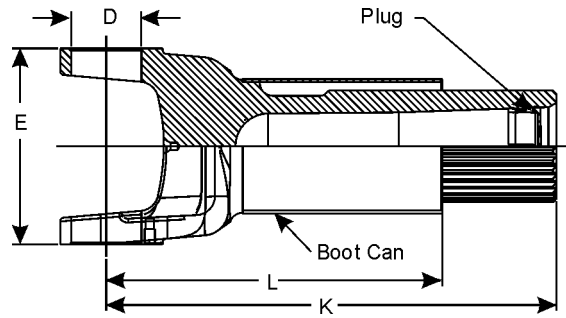
All Others:

	K Centerline to End of Spline	R End of Spline to Point of Radius	L Spline Length	Yoke Shaft Part Number	Notes
①	1550 SERIES		E-5.250 D-1.375	USE KIT NO. 5-155X, 5-808X	
②	1.750-16 Spline				
	4.750	2.500	1.438	4-82-341•	
	6.375	4.156	2.500	4-82-601-1•	High angle yoke
	6.375	4.156	2.500	4-82-601-2•	High angle yoke
③	6.812	4.250	2.500	4-82-371	High angle yoke
	7.940	5.375	3.000	4-82-411-7	High angle yoke

IMPORTANT NOTICE: The data listed herein is correct to the best of our knowledge and belief; having been compiled from reliable and official sources of information. However, WE CANNOT ASSUME ANY RESPONSIBILITY for possible error.



YOKE SHAFTS



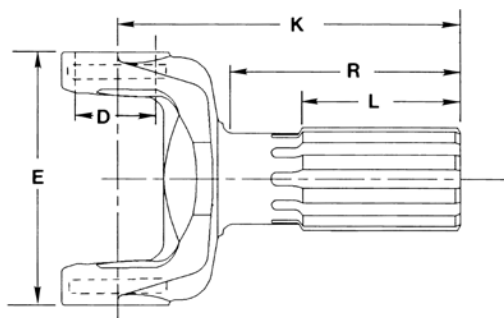
K Centerline to End of Spline	L Centerline to End of Can/Tube	Style	Boot Can/ Tube Assembly Part Number	Plug Part Number	Yoke Shaft Part Number
SPL140 SERIES E=5.028 D=1.938			USE KIT SPL140X		
3.071-30 Involute Spline					
11.811	7.181	1	91-30-2-94M	—	140-82-21X [▲]
SPL170 SERIES E=6.026 D=2.166			USE KIT SPL170-4X, SPL170-SF4X		
3.050-30 Involute Spline					
14.547	7.874	1	5010623	500166-17	170-82-10631X
14.547	7.874	1	5010623	500166-17	5010631■
<i>5010631 will be replaced by 170-82-10631X when supply is exhausted</i>					
3.425-34 Involute Spline					
11.062	7.500	1	100-30-2-84M	—	170-82-191X
11.732	7.889	1	100-30-2-94M	—	170-82-11372X
12.441	8.720	1	100-30-2-115M	6-68-64	170-82-121X
13.457	9.744	1	100-30-2-141M	170-68-23	170-82-101X
13.850	7.894	1	100-30-2-94M	170-68-23	170-82-71X
15.031	11.516	1	100-30-2-186M	170-68-23	170-82-61X [▲]
3.858-38 Involute Spline					
11.811	7.696	1	109-30-2-94M	—	170-82-21X
SPL250 SERIES E=5.986 D=2.362			USE KIT SPL250-3X, SPL250-SF3X		
3.818-38 Involute Spline					
8.661	5.708	1	109-30-2-60M	250-68-13	250-82-131X [▲]
3.858-38 Involute Spline					
11.811	8.555	1	109-30-2-132M	250-68-13	250-82-21X

• Part is discontinued ■ Part is available until supply is exhausted ▲ Not sold separately



Important: See Safety Information in General Information Section (J300P-GI)

YOKE SHAFTS



K Centerline to End of Spline	R End of Spline to Point of Radius	L Spline Length	Yoke Shaft Part Number	Notes
1000 SERIES E=2.188 D=.938			USE KIT NO. 5-170X, 5-170-1X	
1.250-16 Spline				
5.562	3.688	1.625	10-82-21	
1100 SERIES E=2.656 D=.938			USE KIT NO. 5-101X OR 5-111X	
1.060-16 Spline				
3.656	2.875	1.688	1-82-21	
1210 SERIES E=2.688 D=1.062			USE KIT NO. 5-443X, 5-554X	
1.062-16 Spline				
3.969	2.594	1.750	2-82-1651•	
1.250-15 Based On 16 Spline				
6.250	4.125	2.000	2-82-1641•	
6.250	4.125	3.250	2-82-1781•	<i>Spline not glidecoated</i>
8.391	7.866	2.250	2-82-1731	
1310 SERIES E=3.469 (UB,BS STYLE E=3.219) D=1.062,			USE KIT 5-153X, 5-1310X	
1.156-27 Involute Spline				
8.547	6.422	1.562	2-82-1371•	
1.250-16 Spline				
4.594	2.938	1.656	2-82-211	
5.125	3.562	1.875	2-82-51	
5.812	4.156	2.000	2-82-41	
6.875	4.812	2.000	2-82-431X•	<i>Spline not glidecoated</i>
1.302-30 Involute Spline				
5.625	3.875	2.500	2-82-871	
1.375-16 Spline				
4.562	3.219	1.922	2-82-11	
4.625	3.406	2.063	2-82-641	
5.312	3.844	2.250	2-82-21	
7.062	5.190	2.500	2-82-58X	<i>Spline not glidecoated</i>
9.375	6.938	2.250	2-82-201X	<i>Spline not glidecoated</i>
1.500-16 Spline				
3.656	2.406	1.440	2-82-861	
3.000-23 Involute Spline				
7.420	4.720	3.310	2-82-1891•	<i>Material: aluminum</i>
7.420	4.720	3.310	2-82-1941X•	<i>Material: aluminum: Uses plug number 5-68-164</i>
1330 SERIES E=3.875 (UB,BS STYLE E=3.625) D=1.062			USE KIT 5-213X, 5-1330X	
2.994-24 Involute Spline				
8.250	5.550	4.140	5004948▲	<i>Sold only in assy# 5005921; Material: aluminum</i>
3.000-23 Involute Spline				
8.250	5.550	4.140	2-82-1961	<i>Material: aluminum</i>

• Part is discontinued ■ Part is available until supply is exhausted ▲ Not sold separately



YOKE SHAFTS

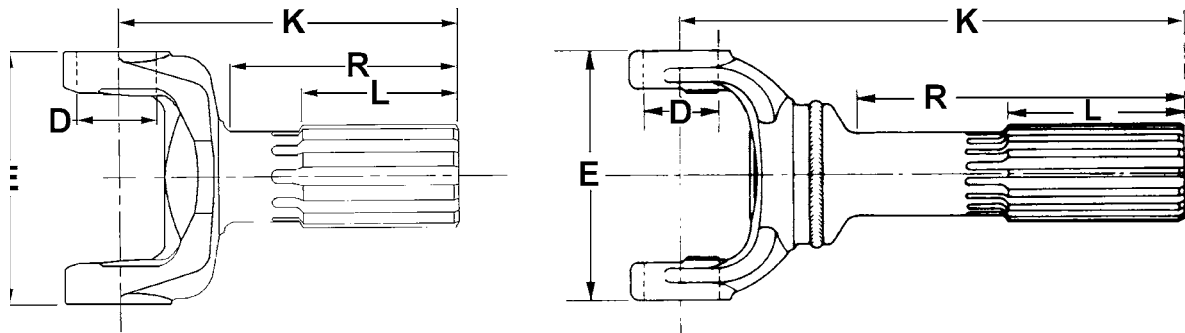
K	R	L	Yoke Shaft Part Number	Notes
Centerline to End of Spline	End of Spline to Point of Radius	Spline Length		
1350 SERIES E=3.875 (UB,BS STYLE E=3.625) D=1.188 USE KIT 5-178X, 5-1350X				
1.175-27 Spline				
6.062	2.031	1.844	3-82-1201•	Wheel yoke shaft, BS Style
1.175-27 Involute Spline				
5.531	3.062	1.750	3-82-1161	Wheel yoke shaft, BS Style
1.177-27 Involute Spline				
6.740	3.481	1.844	3-82-1141-1•	GM differential yoke shaft, BS style
7.290	4.031	1.844	3-82-1141-2•	GM differential yoke shaft, BS style
1.252-31 Involute Spline				
4.547	1.719	1.440	3-82-1381•	GM differential yoke shaft, BS style
4.547	1.719	1.440	3-82-1431•	
1.302-30 Involute Spline				
6.590	5.430	2.219	3-82-1151-2	Wheel yoke shaft, BS Style
7.360	5.750	2.219	3-82-1151-1•	Wheel yoke shaft, BS Style
7.422	4.340	2.000	3-82-961-2•	BS style
1.500-10 Spline				
5.820	—	1.500	3-82-981	Has .375"-16 threaded hole at spline end
1.500-16 Spline				
4.188	2.531	1.375	3-82-971	
4.812	2.781	1.750	3-82-71	Spline not glidecoated
5.188	3.063	2.000	3-82-61	Spline not glidecoated
5.844	3.781	2.000	3-82-1321	
6.406	4.344	2.000	3-82-341	Spline not glidecoated
6.531	4.406	2.500	3-82-161	Spline not glidecoated
6.812	4.688	2.500	3-82-181	Spline not glidecoated
7.250	5.125	2.500	3-82-211	Spline not glidecoated
7.750	5.125	2.500	3-82-761X	Spline not glidecoated
1410 SERIES E=4.438 (UB,BS STYLE E=4.188) D=1.188 USE KIT 5-160X, 5-1410X				
1.358-21 Involute Spline				
5.547	2.700	2.000	3-82-1291•	
1.500-16 Spline				
4.969	3.250	2.000	3-82-1191	
5.406	3.312	2.000	3-82-1301■	
6.312	4.470	2.500	3-82-201	Spline not glidecoated
7.844	5.250	3.000	3-82-168X•	Spline not glidecoated
8.406	5.750	3.000	3-82-58X	Spline not glidecoated
8.969	6.281	3.000	3-82-268X	Spline not glidecoated
1.750-16 Spline				
4.547	2.672	1.438	3-82-261	
5.406	3.531	1.438	3-82-811	
6.340	4.410	3.000	3-82-781	Spline not glidecoated
1480 SERIES E=4.438 (UB,BS STYLE E=4.188) D=1.375 USE KIT 5-188X,SPL55X				
1.562-16 Spline				
6.750	4.500	2.750	3-82-1121	
2.250-10 Spline				
4.380	2.812	1.594	3-82-271	
2.994-24 Involute Spline				
8.960	6.149	4.566	5005288▲	5005288 was replaced by 5007951; Sold only in assy# 5007951; Material: aluminum

• Part is discontinued ■ Part is available until supply is exhausted ▲ Not sold separately



Important: See Safety Information in General Information Section (J300P-GI)

YOKE SHAFTS



K Centerline to End of Spline	R End of Spline to Point of Radius	L Spline Length	Yoke Shaft Part Number	Notes
1550 SERIES E=5.250 (UB,BS STYLE E=4.964) D=1.375 USE KIT 5-155X, SPL70X				
1.750-16 Spline				
4.750	2.500	1.438	4-82-341•	
6.375	4.156	2.500	4-82-601-1	High angle yoke
6.812	4.250	2.500	4-82-371	High angle yoke
7.560	4.156	2.500	4-82-601-2	High angle yoke
7.940	5.375	3.000	4-82-411-7	High angle yoke
8.438	5.875	3.000	4-82-411-1	High angle yoke
8.625	5.812	3.000	4-82-401	High angle yoke
9.750	4.531	2.875	4-82-361-2•	High angle yoke
9.750	7.094	3.000	4-82-561	
2.000-16 Spline				
5.844	3.594	2.250	4-82-511	OEM only
6.120	4.484	3.000	4-82-211	
2.500-16 Spline				
4.562	2.750	1.562	4-82-191	
4.812	2.938	1.562	4-82-201	
5.172	3.328	1.562	4-82-621-1	
5.609	3.672	1.562	4-82-621-3	
6.188	4.250	1.562	4-82-621-4	
6.672	4.734	1.562	4-82-621-2	
1610 SERIES E=5.312 (HR STYLE E=5.312) D= 1.875 USE KIT 5-279X, 5-674X				
2.000-16 Spline				
7.297	4.547	3.000	5-82-871	
7.875	5.440	2.750	5-82-921	
7.875	5.312	3.000	5-82-211	
9.531	5.969	3.000	5-82-791-2	
9.812	6.250	3.000	5-82-791-4•	
10.063	6.500	3.000	5-82-791-3	
10.438	6.875	3.500	5-82-831-4	
10.812	7.562	3.500	5-82-781	
12.063	8.500	3.500	5-82-831-1	
13.063	9.063	3.500	5-82-961-3	High angle yoke
14.063	10.063	3.500	5-82-961-5	High angle yoke
14.406	10.406	3.500	5-82-961-7	High angle yoke
14.562	10.562	3.500	5-82-961-6	High angle yoke
15.000	11.000	3.500	5-82-961-1	High angle yoke
15.500	11.500	3.500	5-82-961-2	High angle yoke
2.500-16 Spline				
12.969	9.094	4.000	5-82-1011M	Metric Yokeshaft

• Part is discontinued ■ Part is available until supply is exhausted ▲ Not sold separately



YOKE SHAFTS

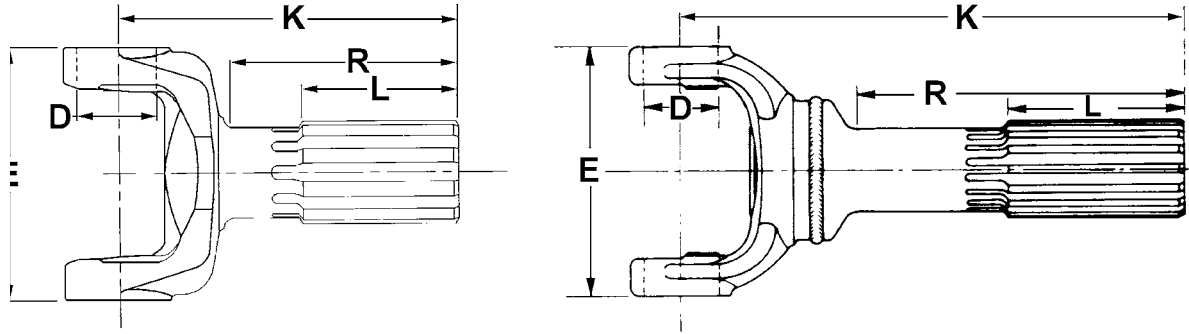
K	R	L	Yoke Shaft Part Number	Notes
Centerline to End of Spline	End of Spline to Point of Radius	Spline Length		
1610 SERIES (Continued) E=5.312 (HR STYLE E=5.312) D= 1.875 USE KIT 5-279X, 5-674X				
2.672-17 Based On 18 Spline				
4.219	2.531	1.594	5-82-191•	
2.672-18 Involute Spline				
6.063	4.003	1.500	5-82-951	<i>Spline not glidecoated</i>
6.850	4.790	1.500	5-82-951-2	<i>Spline not glidecoated</i>
7.140	5.080	1.500	5-82-951-1	<i>Spline not glidecoated</i>
2.674-18 Involute Spline				
4.125	2.500	1.500	5-82-161	
1710 SERIES E=6.094 (HR STYLE=6.190) D=1.938 USE KIT NO. 5-280X, 5-675X				
2.500-15 Based On 16 Spline				
9.656	6.656	3.500	6-82-1331-1	
2.500-16 Spline				
8.156	5.406	3.000	6-82-1251	
8.531	5.781	3.500	6-82-1131-2	
8.650	5.906	3.000	6-82-1391	
8.910	5.570	2.750	6-82-1371	
9.031	6.281	3.375	6-82-1291	
9.063	6.312	3.500	6-82-1131-4•	
9.656	6.312	3.500	6-82-1171-10	
9.820	6.480	3.160	6-82-1411	
10.031	6.688	3.500	6-82-1171-1	
10.156	6.812	3.500	6-82-1171-11	
10.320	6.980	3.160	6-82-1381	
10.656	7.312	3.500	6-82-1171-12	
10.656	6.906	3.500	6-82-1281-6	<i>High angle yoke</i>
10.660	6.540	3.500	6-82-1351-5	<i>High angle yoke</i>
11.000	8.000	4.000	6-82-1231	
11.031	7.688	3.500	6-82-1171-7■	
11.156	7.812	3.500	6-82-1171-2	
11.531	8.094	4.000	6-82-1141	
11.656	8.312	3.500	6-82-1171-13	
11.660	8.656	3.500	6-82-1351-7	<i>High angle yoke</i>
11.781	8.094	4.000	6-82-1091-12	
12.000	8.312	4.000	6-82-1091-16•	
12.094	8.344	3.500	6-82-1281•	<i>High angle yoke</i>
12.094	7.969	3.500	6-82-1351-2	<i>High angle yoke</i>
12.156	8.469	4.000	6-82-1091-1	
12.281	8.594	4.000	6-82-1091-13	
12.438	9.094	3.500	6-82-1171-6	
12.594	8.844	3.500	6-82-1281-3	<i>High angle yoke</i>
12.688	8.562	4.000	6-82-1341-1	<i>High angle yoke</i>
12.781	8.656	3.500	6-82-1351-3	<i>High angle yoke</i>
13.000	9.656	3.500	6-82-1171-5•	
13.094	9.344	3.500	6-82-1281-1	<i>High angle yoke</i>
13.094	8.969	3.500	6-82-1351-4	<i>High angle yoke</i>
13.156	9.460	4.000	6-82-1341-13	<i>High angle yoke</i>
13.375	9.625	4.000	6-82-1061-15	<i>High angle yoke</i>
13.375	9.250	4.000	6-82-1341-2	<i>High angle yoke</i>
13.625	9.938	4.000	6-82-1091-9	<i>High angle yoke</i>
13.750	9.625	4.000	6-82-1341-3	<i>High angle yoke</i>

• Part is discontinued ■ Part is available until supply is exhausted ▲ Not sold separately



Important: See Safety Information in General Information Section (J300P-GI)

YOKE SHAFTS



K	R	L	Yoke Shaft Part Number	Notes
Centerline to End of Spline	End of Spline to Point of Radius	Spline Length		

1710 SERIES (Continued) E=6.094 (HR STYLE=6.190) D=1.938 USE KIT NO. 5-280X, 5-675X

2.500-16 Spline (Continued)

14.000	9.875	4.000	6-82-1341-4	High angle yoke
14.156	10.469	4.000	6-82-1091-3	High angle yoke
14.281	10.156	4.000	6-82-1341-5	High angle yoke
14.750	10.625	4.000	6-82-1341-6	High angle yoke
15.031	10.906	4.000	6-82-1341-7	High angle yoke
15.375	11.250	4.000	6-82-1341-8	High angle yoke
15.750	11.625	4.000	6-82-1341-9	High angle yoke
16.031	11.906	4.000	6-82-1341-10	High angle yoke
16.406	12.281	4.000	6-82-1341-11	High angle yoke
16.688	9.562	4.000	6-60-275-0214•	High angle yoke
16.750	12.625	4.000	6-82-1341-12	High angle yoke
16.875	9.562	4.000	6-60-275-0220•	High angle yoke
17.031	13.281	4.000	6-60-275-0225•	High angle yoke
17.500	13.750	4.000	6-60-275-0308•	High angle yoke

3.248-18 Involute Spline

5.050	2.890	1.810	6-82-01146	
5.250	3.016	2.000	6-82-341	
6.125	3.875	2.000	6-82-691	
7.250	4.938	2.000	6-82-411	
7.875	5.563	2.000	6-82-1001	

1760 SERIES E=7.000 (HR STYLE=7.094) D=1.938 USE KIT NO. 5-407X, 5-677X

2.500-16 Spline

11.000	8.188	4.000	6.3-82-21-1	
11.500	8.688	4.000	6.3-82-21-2•	
12.000	9.188	4.000	6.3-82-21-3	
12.375	9.562	4.000	6.3-82-21-5•	
12.500	9.688	4.000	6.3-82-21-4■	
12.875	10.062	4.000	6.3-82-21-6•	
13.375	10.562	4.000	6.3-82-21-7•	
13.875	11.062	4.000	6.3-82-21-8•	
14.375	11.562	4.000	6.3-82-21-9•	
14.875	12.062	4.000	6.3-82-21-10•	
15.375	12.562	4.000	6.3-82-21-11	

• Part is discontinued ■ Part is available until supply is exhausted ▲ Not sold separately



YOKE SHAFTS

K Centerline to End of Spline	R End of Spline to Point of Radius	L Spline Length	Yoke Shaft Part Number	Notes
1810 SERIES E=7.547 (HR STYLE=7.643) D=1.938			USE KIT NO. 5-281X, 5-676X	
3.000-16 Spline				
10.438	6.562	4.000	6.5-82-451-12	<i>High angle yoke</i>
11.438	7.812	4.000	6.5-82-451-1	<i>High angle yoke</i>
11.938	8.312	4.000	6.5-82-451-3	<i>High angle yoke</i>
12.188	8.562	4.500	6.5-82-461-1	<i>High angle yoke</i>
12.438	8.813	4.000	6.5-82-451-5	<i>High angle yoke</i>
12.688	9.062	4.500	6.5-82-461-2	<i>High angle yoke</i>
13.188	9.562	4.500	6.5-82-461-3	<i>High angle yoke</i>
13.688	10.062	4.500	6.5-82-461-4•	<i>High angle yoke</i>
13.812	10.188	4.500	6.5-82-461-8	<i>High angle yoke</i>
14.438	10.812	4.500	6.5-82-461-9	<i>High angle yoke</i>
15.062	11.438	4.500	6.5-82-461-10	<i>High angle yoke</i>
15.688	12.062	4.500	6.5-82-461-11	<i>High angle yoke</i>
16.312	12.688	4.500	6.5-82-461-12	<i>High angle yoke</i>
3.248-18 Involute Spline				
6.719	4.312	2.750	6.5-82-511-1	
7.219	4.812	2.750	6.5-82-511-3	
1880 SERIES E=8.094 D=2.188			USE KIT NO. 5-308X	
3.000-16 Spline				
12.844	8.531	4.500	8-82-161-1	
14.844	10.531	4.500	8-82-161-6	
17.469	13.156	4.500	8-82-161-12	
4.156-24 Involute Spline				
7.219	4.156	2.625	8-82-171-1	

• Part is discontinued ■ Part is available until supply is exhausted ▲ Not sold separately



Important: See Safety Information in General Information Section (J300P-GI)

1-82-214	4-82-361-2•6	6-82-1171-5•7	6.5-82-461-4•9
2-82-114	4-82-3716	6-82-1171-67	6.5-82-461-89
2-82-214	4-82-4016	6-82-1171-7■7	6.5-82-461-99
2-82-414	4-82-411-16	6-82-1171-107	6.5-82-461-109
2-82-514	4-82-411-76	6-82-1171-117	6.5-82-461-119
2-82-2114	4-82-5116	6-82-1171-127	6.5-82-461-129
2-82-6414	4-82-5616	6-82-1171-137	6.5-82-511-19
2-82-8614	4-82-601-16	6-82-12317	6.5-82-511-39
2-82-8714	4-82-601-26	6-82-12517	8-82-161-19
2-82-1371•4	4-82-621-16	6-82-1281-17	8-82-161-69
2-82-1641•4	4-82-621-26	6-82-1281-37	8-82-161-129
2-82-1651•4	4-82-621-36	6-82-1281-67	8-82-171-19
2-82-17314	4-82-621-46	6-82-1281•7	10-82-214
2-82-1781•4	5-82-1617	6-82-12917	140-82-21X▲3
2-82-1891•4	5-82-191•7	6-82-1331-17	170-82-101X3
2-82-19614	5-82-2116	6-82-1341-17	170-82-10631X3
2-82-1941X•4	5-82-7816	6-82-1341-27	170-82-11372X3
2-82-201X4	5-82-791-26	6-82-1341-37	170-82-121X3
2-82-431X•4	5-82-791-36	6-82-1341-48	170-82-191X3
2-82-58X4	5-82-791-4•6	6-82-1341-58	170-82-21X3
3-82-615	5-82-831-16	6-82-1341-68	170-82-61X▲3
3-82-715	5-82-831-46	6-82-1341-78	170-82-71X3
3-82-1615	5-82-8716	6-82-1341-88	250-82-131X▲3
3-82-1815	5-82-9216	6-82-1341-98	250-82-21X3
3-82-2015	5-82-951-17	6-82-1341-108	5004948▲4
3-82-2115	5-82-951-27	6-82-1341-118	5005288▲5
3-82-2615	5-82-9517	6-82-1341-128	5010631 ■3
3-82-2715	5-82-961-16	6-82-1341-137	
3-82-3415	5-82-961-26	6-82-1351-27	
3-82-7815	5-82-961-36	6-82-1351-37	
3-82-8115	5-82-961-56	6-82-1351-47	
3-82-961-2•5	5-82-961-66	6-82-1351-57	
3-82-9715	5-82-961-76	6-82-1351-77	
3-82-9815	5-82-1011M6	6-82-13717	
3-82-11215	6-60-275-0214•8	6-82-13817	
3-82-1141-1•5	6-60-275-0220•8	6-82-13917	
3-82-1141-2•5	6-60-275-0225•8	6-82-14117	
3-82-1151-1•5	6-60-275-0308•8	6.3-82-21-18	
3-82-1151-25	6-82-3418	6.3-82-21-2•8	
3-82-11615	6-82-4118	6.3-82-21-38	
3-82-11915	6-82-6918	6.3-82-21-4■8	
3-82-1201•5	6-82-10018	6.3-82-21-5•8	
3-82-1291•5	6-82-1061-157	6.3-82-21-6•8	
3-82-1301■5	6-82-1091-17	6.3-82-21-7•8	
3-82-13215	6-82-1091-38	6.3-82-21-8•8	
3-82-1381•5	6-82-1091-97	6.3-82-21-9•8	
3-82-1431•5	6-82-1091-127	6.3-82-21-10•8	
3-82-168X•5	6-82-1091-137	6.3-82-21-118	
3-82-268X5	6-82-1091-16•7	6.5-82-451-19	
3-82-58X5	6-82-1131-27	6.5-82-451-39	
3-82-761X5	6-82-1131-4•7	6.5-82-451-59	
4-82-1916	6-82-11417	6.5-82-451-129	
4-82-2016	6-82-011468	6.5-82-461-19	
4-82-2116	6-82-1171-17	6.5-82-461-29	
4-82-341•6	6-82-1171-27	6.5-82-461-39	





Dana Aftermarket Group
PO Box 1000
Maumee, Ohio 43537

Warehouse Distributors: 1.800.621.8084
OE Dealers: 1.877.777.5360

www.SpicerParts.com

SPICER[®]



J300P-8 Printed in U.S.A.
Copyright Dana Limited, 2014.
All rights reserved. Dana Limited.

